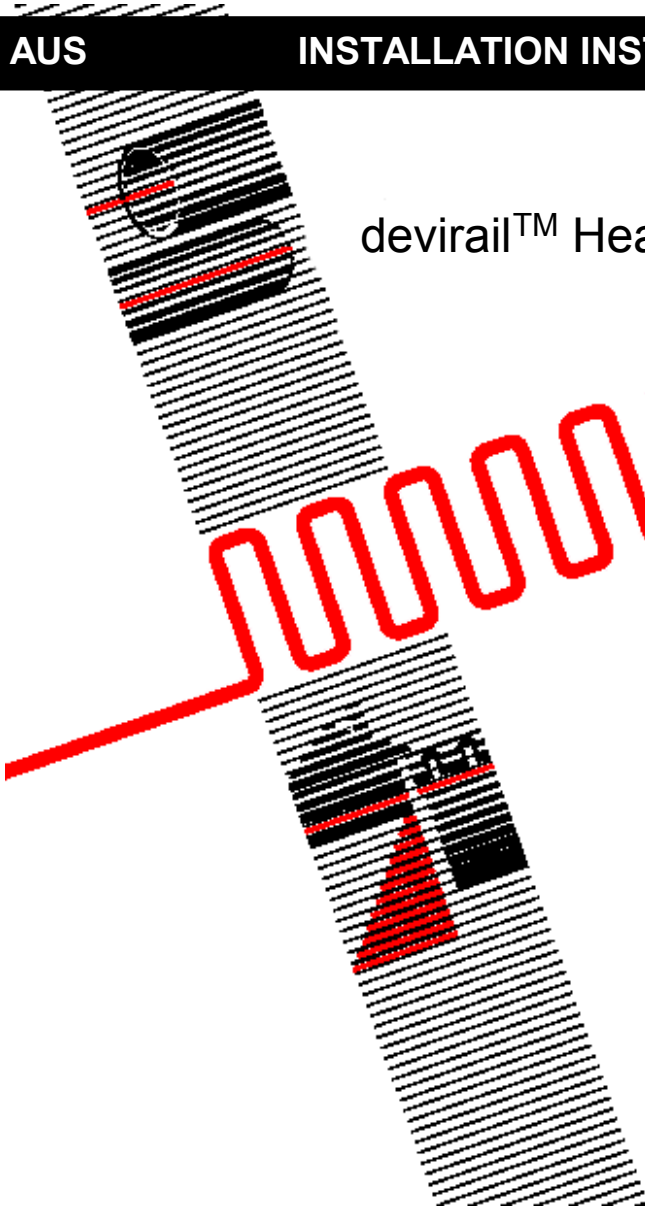


AUS

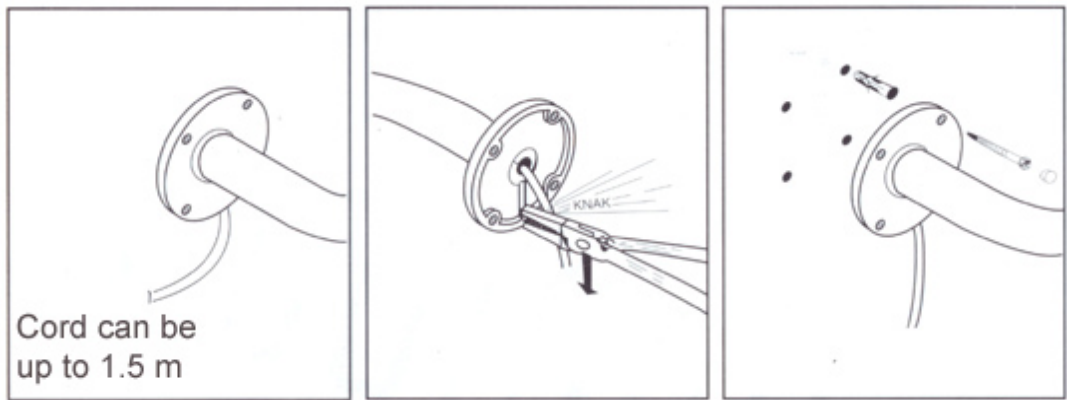
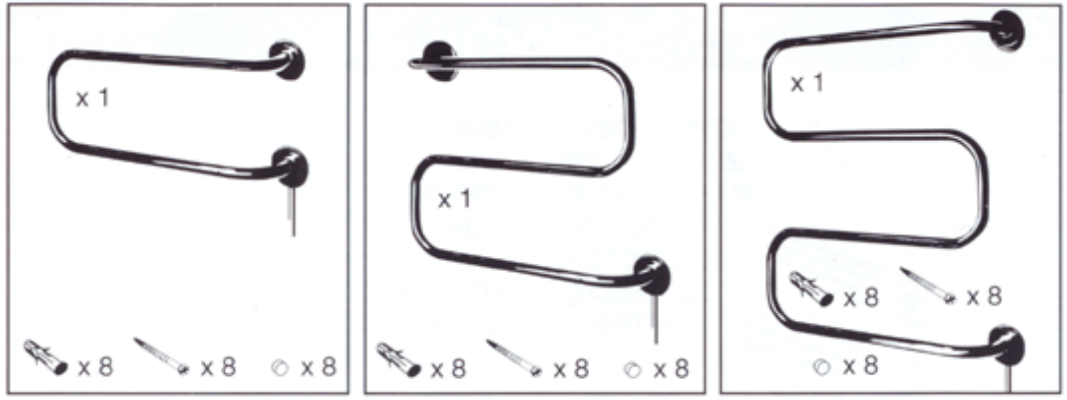
INSTALLATION INSTRUCTIONS

devirail™ Heated Towel Rail



DEVI™ 

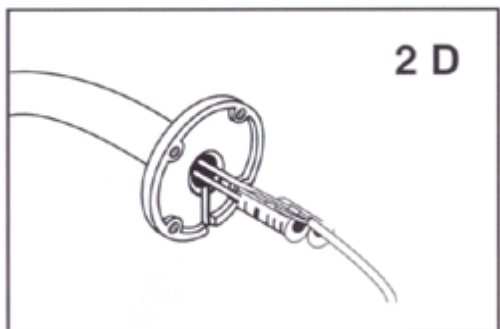
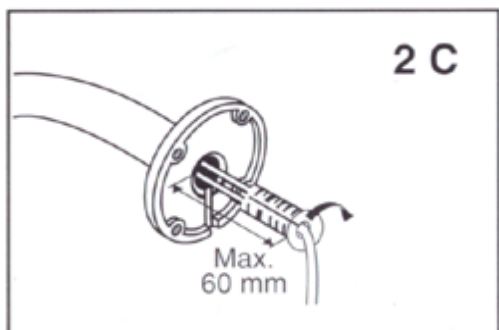
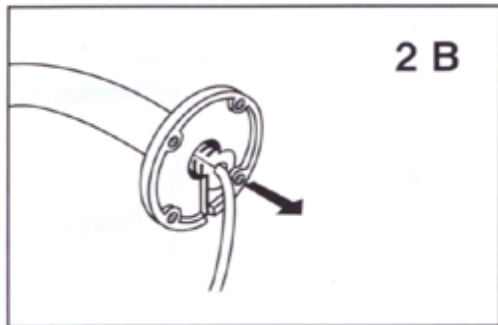
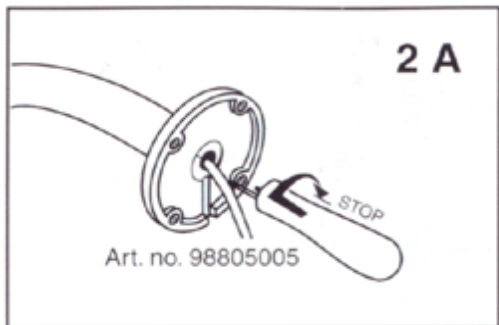
# devirail™ Heated Towel Rails



Connection of heating cables is considered to be electrical wiring work, and as such **MUST** be carried out by a licensed electrical tradesperson.

## CAUTION

As the towel rail is a heating appliance and as such it gets hot, it should never be placed in a location that can be reached by very young children. The lowest rail must be at least 1.2m above the ground.



If required the flex can be removed and replaced with hard wiring (figs 2A through 2D above).

**Caution:**

To comply with Australian Standard AS3350-2-43 Clause 7.12.1 any heated Towel Rail fitted with a cord or cord and plug must be positioned so it is not subjected to splashing or the ingress of moisture. The Towel Rail must also be positioned so that it cannot be within reach of a person using the bath or shower.

The wires in the power cord are colour coded as follows:

Blue	-	Neutral
Brown	-	Active

Heated Towel Rails should be connected via an 30mA RCD.  
All fixed wiring must be carried out by an authorised electrician.



This model is not stocked in Australia.



# Warranty Certificate

The DEVI™ Warranty is granted to:

Name:

---

---

Address:

---

---

Postal Code:

---

---

Phone:

---

---

Please Observe!

In order to obtain the DEVI™ Warranty, the following must be carefully filled in. See other conditions on the overleaf.

Electrical Installation By:

---

---

Installation Date:

---

---

Type of Thermostat:

---

---

Production Code:

---

---

Suppliers Stamp



DEVI

DK . 7100 Vejle

Tlf +45 76 42 47 00

Fax +45 76 42 47 03