

## S-Sight

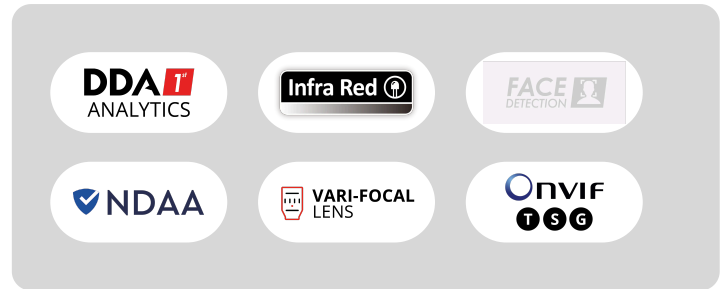
This series simplifies surveillance with high-quality images and enhanced night vision capabilities. Powered by AI (DDA™ Video Analytics and Face Recognition) and equipped with Check Point protection for comprehensive monitoring. Choose from rainbow cameras, Motorized Varifocal options, and Anti-Vandal designs for high-security areas.



# I4-320IPSN-VF-V4

## 40m IR 2MP Vari-Focal Lens Medium Bullet Camera With Built-in Check Point Protection and Dual System technology

Equipped with a 2.8-12mm Vari-Focal lens, this 2MP Bullet camera is designed for medium-distance surveillance (up to 40m) in indoor and outdoor scenarios. Fitted with the new "Dual System" technology, the camera can deal with internal anomalies independently, making it more redundant to software-based issues. The camera offers outstanding DDA Analytics (Detect, Distinguish, Alert), which can perform human and vehicle recognition. With various detection rules and triggers, the I4-320IPSN-VF-V4 camera is here to end false alarms and, with the Check Point protection, ensures that your devices are cyber-protected round the clock.



## MAIN FEATURES

- I4-320IPSN-VF-V4 2MP Vari-Focal Bullet Camera with IR LED and DDA1 Analytics
- Sensor: 1/2.8" CMOS (16:9)
- Resolution: 1920×1080 25/30FPS (2MP)
- Lens: 2.8-12mm VF (100°-33°)
- True Day&Night – ICR
- Illumination: 40m (2 High-Power IR LEDs)
- Compression: H.265+ / H.264+ / H.265 / H.264 / MJPEG
- Quantum IoT Nano agent by Check Point™
- General Analytics: Camera Tampering
- AI (Object Recognition): DDA Sterile Area, DDA Line Crossing
- True WDR, BLC, HLC, ROI
- SD Card: Event/Schedule Record (Up to 256Gb)
- Built-in Microphone + Audio input
- ONVIF: Profile T/S/G
- Water Proof: IP67
- Weight: ~770g
- Power: DC12V/~550mA / PoE/~7W



<https://provision-isr.com>

## SPECIFICATIONS

3rd Party Cyber Protection	
<b>General</b>	Quantum IoT Nano agent by Check Point™
<b>Protection Methods</b>	Shell injection protection, File Monitor, Import-Table Protection, Dynamic-Memory Protection
NDAA Compliant	
<b>NDAA Compliant</b>	Yes
Video	
<b>Image Sensor</b>	1/2.8" CMOS (16:9)
<b>Effective Pixels</b>	1920x1080
<b>Electronic Shutter</b>	1/3s ~ 1/10000s
<b>Day &amp; Night</b>	ICR
<b>Min. Illumination</b>	0.006 lux (@F1.6, AGC on) 0 lux with IR on
Audio	
<b>Audio compression</b>	G.711A/G.711U
<b>Communication</b>	One-Way Audio
Image	
<b>Image Settings</b>	AWB, AGC Adjustable, Exposure Mode (Auto) Sharpness, Saturation, Brightness & Contrast Adjustable
<b>Image Enhancement</b>	True WDR, BLC, HLC, ROI
<b>Noise Reduction</b>	3D-DNR
<b>Image Orientation</b>	Mirror/Flip
<b>Privacy Zone</b>	Yes
Events and Analytics	
<b>Analytics</b>	General Analytics: Camera Tampering AI (Object Recognition): DDA Sterile Area, DDA Line Crossing
<b>Motion Detection</b>	Yes
Compression	

<b>Resolution</b>	2MP (1920x1080) / D1 (704x576) / QVGA (480x240) / CIF (352x288)
<b>Frame Rate</b>	1-25/30FPS
<b>Video Compression</b>	H.265+/ H.264+ / H.265 / H.264 / MJPEG**
<b>Multi-Stream</b>	Master Stream: 2MP (1920x1080) / 1MP (1280x720) (1~30fps) Substream: 1MP/QVGA/D1/CIF Third Stream: D1/CIF (1~30fps)
<b>Bit Rate</b>	64Kbps ~ 4Mbps@H.265 / 64Kbps ~ 6Mbps@H.264
<b>Encode Mode</b>	VBR/CBR
<b>Image Quality</b>	Five levels under VBR; Free adjustment under CBR

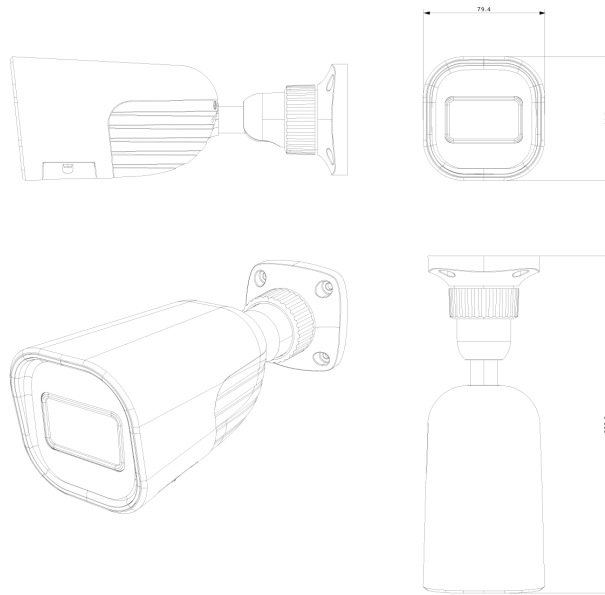
Lens	
<b>Lens (Field of View)</b>	2.8-12mm VF (100°-33°)
<b>Iris</b>	Fixed Iris
<b>Lens Mount</b>	Ø14 Mount
<b>Detect</b>	2.8~12mm(W): 43.13m(141.50ft) - 2.8~12mm(T): 131.90m(432.74ft)
<b>Recognize</b>	2.8~12mm(W): 8.63m(28.31ft) - 2.8~12mm(T): 26.38m(86.54ft)
<b>Identify</b>	2.8~12mm(W): 4.31m(14.14ft) - 2.8~12mm(T): 13.19m(43.27ft)

Network	
<b>User Access</b>	Supports simultaneous monitoring of up to 3 users with multi-stream real-time transmission
<b>Network Protocol</b>	IPv4, IPv6, TCP, UDP, DHCP, NTP, DDNS, 802.1X, RTSP, Multicast, UPnP, Email, FTP, HTTPS, QoS, P2P
<b>Remote Monitoring</b>	IE Browsing (Plug-In required), Chrome/Edge/Safari/Firefox plug-in free browsing, Ossia VMS Software, Provision Cam2 Mobile App
<b>Ethernet</b>	100Mbps
<b>ONVIF</b>	Profile T/S/G

Connectivity	
<b>Network</b>	RJ45 (+PoE)
<b>Audio Connectivity</b>	Built-in Microphone + Audio input

<b>Alarm</b>	No
<b>SD Card</b>	Event/Schedule based Main/Substream recording (Up to 256Gb)
<b>Wiegand</b>	No
<b>Power</b>	DC Socket
<b>Analog Video Output</b>	No
<b>Housing</b>	
<b>PoE</b>	Yes
<b>Illumination</b>	40m (2 High-Power IR LEDs)
<b>Power Supply</b>	DC12V/~550mA / PoE/~7W
<b>Protection Rate</b>	Water Proof: IP67
<b>Work Environment</b>	-30°C~60°C, 10%~90% Humidity
<b>Bracket</b>	3-Axis Bracket
<b>Dimensions</b>	220.8x79.4x81.2mm
<b>Weight (gross)</b>	~770g
<b>Hard Reset Button</b>	Yes

## DIMENSIONS



## ACCESSORIES

