

VIRONE

OPERATING AND INSTALLATION INSTRUCTIONS

VIDEO CAMERA

VDP-63KV



CE

INTRODUCTION

Before the installation and use of the device, please read this operation manual carefully. In case of any problems with understanding the manual, please contact the seller from whom you bought the device. Installation and commissioning of the equipment by the customer are possible if the installer has basic knowledge of electrical systems and the use of proper tools. Nevertheless, the device installation by qualified personnel is recommended.

The manufacturer is not liable for any damage that can result from improper installation or operation of the device. **Performing repairs or modifications by the customer voids the warranty.**

Since the technical data is subject to continuous modification, the manufacturer reserves the right to modify product specifications or introduce other design solutions that do not impair product performance or usability. Additional information on VIRONE products is available at: support.virone.pl. Orno-Logistic Sp. z o.o. is not liable for consequences resulting from failure to comply with the recommendations found in this manual. Orno-Logistic Sp. z o.o. reserves the right to make changes to the instruction – current version can be downloaded from support.virone.pl. Any rights to translate/construe and the copyright of this manual are reserved.

1. Disconnect the power supply before performing any activities.
2. Do not immerse the product in water or other liquids.
3. Do not operate the device with damaged housing.
4. Do not open or repair the device yourself.
5. Do not use the appliance for any other purpose than intended.



WARNING

*It is forbidden to make connections to live equipment!
Failure to observe the above may result in permanent damage to the device.*

Each household is a user of electrical and electronic equipment, and hence a potential producer of hazardous waste for humans and the environment, due to the presence of hazardous substances, mixtures and components in the equipment. On the other hand, used equipment is valuable material from which we can recover raw materials such as copper, tin, glass, iron and others.

The weee sign placed on the equipment, packaging or documents attached to it indicates the need for selective collection of waste electrical and electronic equipment. Products so marked, under penalty of fine, cannot be thrown into ordinary garbage along with other waste. The marking means at the same time that the equipment was placed on the market after August 13, 2005. It is the responsibility of the user to hand the used equipment to a designated collection point for proper processing. Used equipment can also be handed over to the seller, if one buys a new product in an amount not greater than the new purchased equipment of the same type. Information on the available collection system of waste electrical equipment can be found in the information desk of the store and in the municipal office or district office. Proper handling of used equipment prevents negative consequences for the environment and human health!



02/2023

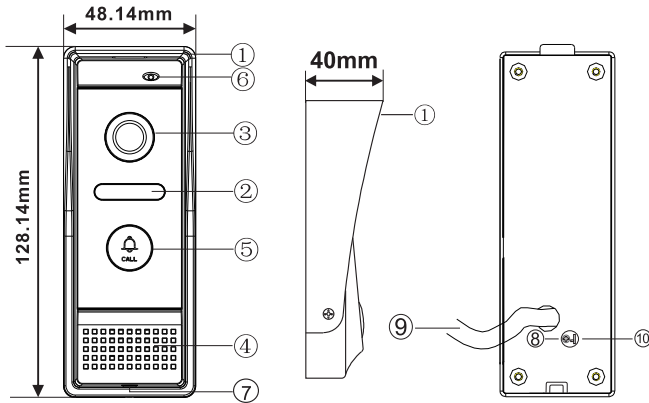
Simplified declaration of conformity

Orno-Logistic Sp. z o.o. declares that the VDP-63KV video camera is compatible with Directive 2014/53/EU. The full text of the EU declaration of conformity is available at the following Internet address: www.orno.pl

TECHNICAL DATA

Camera sensor	1/3-inch CMOS camera
Viewing angle	Vertical 57°, Horizontal 100°
Resolution (Horizontal)	960P
LED night light	IR diodes
Working temperature	-40 ~ +50 °C
Nominal voltage	12-15V DC, Standby mode : ≤5mA, working mode : ≤80mA
Electric strike release time	≤2-10 sec
Ingress protection	IP44
Maximum transmitter power	<10mW

EXTERNAL CAMERA SPECIFICATIONS



1	Protective cover
2	IR diodes
3	Camera
4	Loudspeaker
5	Call button
6	Microphone
7	Mounting screw
8	Volume adjustment
9	Cable
10	Camera mode switch

Description of device

1. Operation

After pressing the call button on the external panel, the connection is established to the indoor monitor.

2. Call volume adjustment

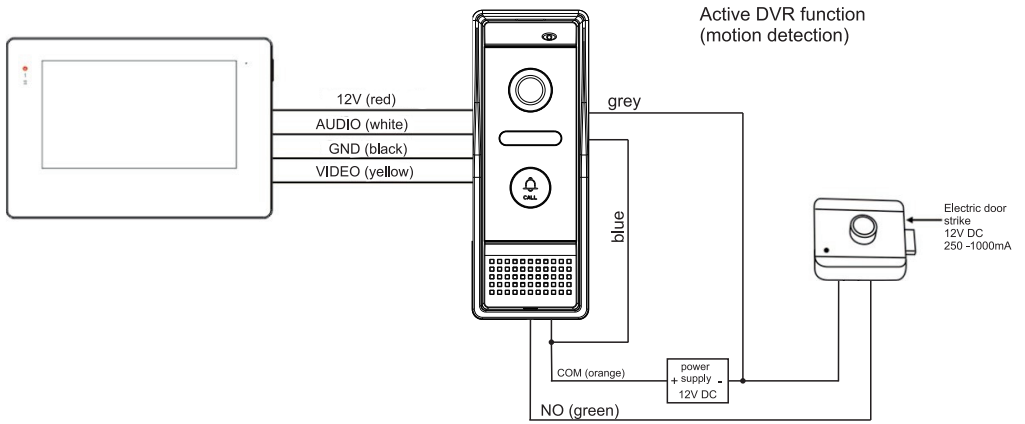
There is a potentiometer on the back of the external cassette to adjust the volume level. Use a flathead screwdriver to make the adjustment.

3. Setting the operation mode of camera

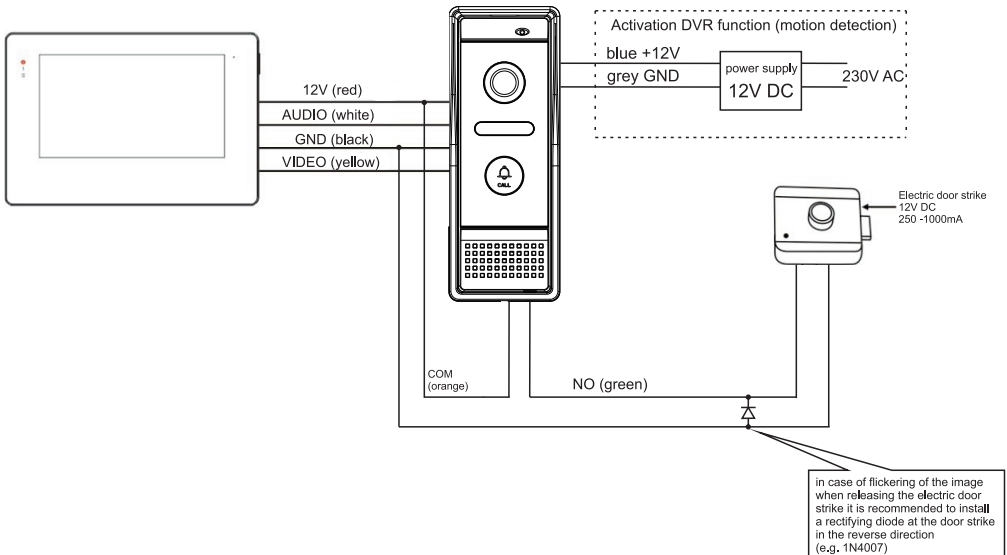
On the back of the external cassette there is a mode switch - CVBS - down, AHD/FHD - up.

WIRING DIAGRAM

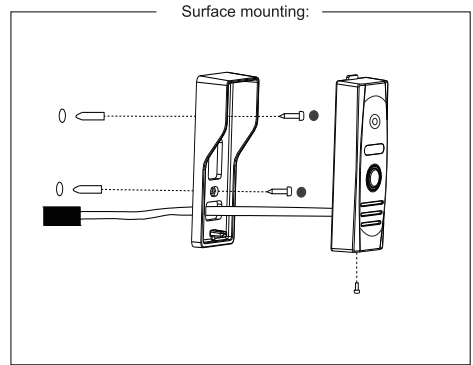
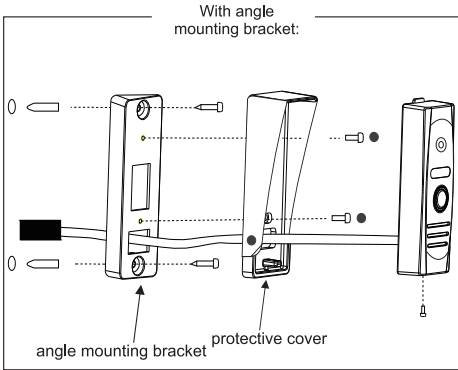
1. Scheme of connection using an electric door strike with current consumption >250mA



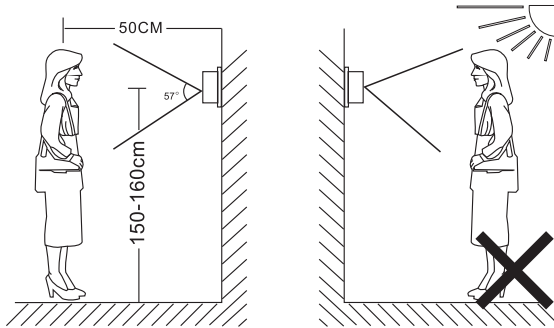
2. Scheme of connection using an electric door strike with current consumption <250mA



INSTALLATION



EXTERNAL PANEL INSTALLATION



Remarks on installation:

Do not install the unit near sources of strong radiation, such as elevators and other AC powered drive systems.

Installation should only be performed by a qualified technician.

Avoid bumping, shaking, or colliding other objects with the unit, as this may damage the internal components of the cassette.

Do not install the external unit in a location where it may be exposed to direct sunlight (overexposed camera lens).

Do not install the external unit in a location with difficult weather conditions such as: strong sunlight, rain, high temperature, high humidity, high dust, corrosive chemicals.

Mount the unit at a location and position that best suits eye height.

Turn off the power before mounting the unit.

Keep a distance of at least 30 cm from the nearest AC-powered device to avoid possible interference.

ORNO-LOGISTIC Sp. z o.o.

ul. Rolników 437, 44-141 Gliwice tel. 32 43 43 110, www.orno.pl