

GPeR



GPeR

Connecting

- Connect your desired network cable with power to the PoE in Ethernet port, and extend it through PoE out.
- Connect the cable to the next GPeR unit or the other device.
- Check your final device on the line, for PoE compatibility and use jumpers to manually disable PoE out- if not needed, see section [Jumper usage](#).

Powering

The device requires power to the Ethernet port:

- Ethernet port accepts passive PoE or 802.3af/at DC 24 - 57 V_{DC}.

The power consumption under maximum load can reach 2 W.

Connecting to a PoE Adapter:

1. Connect the Ethernet cable from the device to the PoE+DATA port of the PoE adapter.
2. Connect an Ethernet cable from your local network (LAN) to the PoE adapter.
3. Connect the power cord to the adapter, and then plug the power cord into a power outlet.

Jumper usage

If the destination device does not support PoE powering, the power passthrough can be disabled manually by removing both jumpers on the "PoE out" side. This will only work if "PoE in" is served by passive PoE source, as 802.3af/at switches will not be able to power the GPeR itself.



* When reattaching jumpers, please note horizontal placement as shown below:
When all four jumpers are connected GPeR works in both directions.

Mounting

The device is designed for use indoors, the IP rating scale for this device is IPX0. It is possible to attach the device to a wall, using the provided screw hole on the mounting bracket of the unit.

Please use waterproof case when using outdoors. https://mikrotik.com/product/gper_ip67_case



- i** Recommended using Cat5/6 cable.
Mounting and configuration of this device should be done by a qualified person.

Expansion slots and ports

- Two Gigabit Ethernet ports.

LED status

The device has two LEDs indicating the active status of each connected Ethernet port.

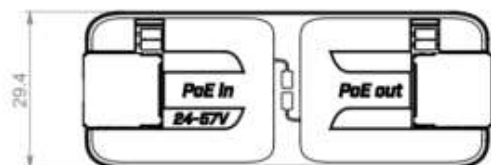
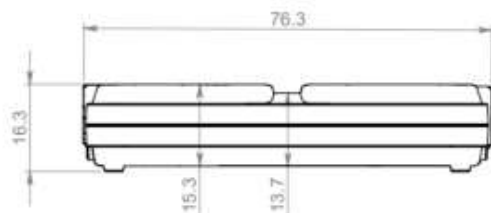
Accessories

The package includes the following accessories that come with the device:

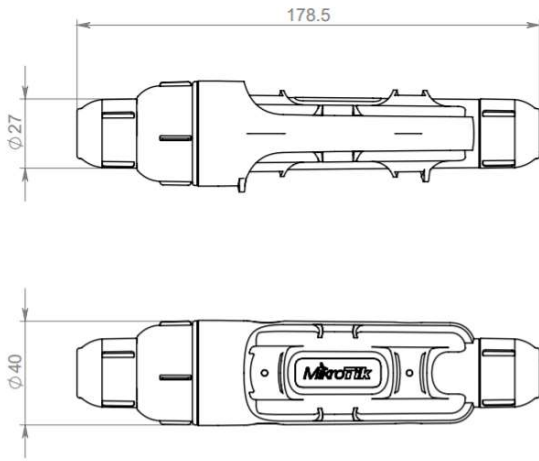
- Mounting bracket with screw and dowel.

Specifications

Dimensions are in millimeters.



The IP68 case can be obtained separately, https://mikrotik.com/product/gper_ip67_case



For more information about this product, specification and pictures please visit our web page:
<https://mikrotik.com/product/gper>

MikroTik mobile app



Use the MikroTik smartphone app to configure your routers in the field through GPeR, or to apply the most basic initial settings for your MikroTik home access points. Scan QR code and choose your preferred OS.

Federal Communication Commission Interference Statement

This equipment has been tested and found to comply with the limits for a Class B digital device, pursuant to Part 15 of the FCC Rules. These limits are designed to provide reasonable protection against harmful interference in a residential installation.

This equipment generates, uses, and can radiate radio frequency energy and, if not installed and used in accordance with the instructions, may cause harmful interference to radio communications. However, there is no guarantee that interference will not occur in a particular installation. If this equipment does cause harmful interference to radio or television reception, which can be determined by turning the equipment off and on, the user is encouraged to try to correct the interference by one of the following measures:



- Reorient or relocate the receiving antenna.
- Increase the separation between the equipment and receiver.
- Connect the equipment into an outlet on a circuit different from that to which the receiver is connected.
- Consult the dealer or an experienced radio/TV technician for help.

FCC Caution: Any changes or modifications not expressly approved by the party responsible for compliance could void the user's authority to operate this equipment.

This device complies with Part 15 of the FCC Rules. Operation is subject to the following two conditions: (1) This device may not cause harmful interference, and (2) this device must accept any interference received, including interference that may cause undesired operation.

Note: This unit was tested with shielded cables on the peripheral devices. Shielded cables must be used with the unit to ensure compliance.

Innovation, Science and Economic Development Canada

This device complies with Industry Canada licence-exempt RSS standard(s). Operation is subject to the following two conditions: (1) this device may not cause interference, and (2) this device must accept any interference, including interference that may cause undesired operation of the device.

Le présent appareil est conforme aux CNR d'Industrie Canada applicables aux appareils radio exempts de licence. L'exploitation est autorisée aux deux conditions suivantes: (1) l'appareil ne doit pas produire de brouillage, et (2) l'utilisateur de l'appareil doit accepter tout brouillage radioélectrique subi, même si le brouillage est susceptible d'en compromettre le fonctionnement.

This Class B digital apparatus complies with Canadian ICES-003.

Cet appareil numérique de la classe [B] est conforme à la norme NMB-003 du Canada.

CAN ICES-003 (B) / NMB-003 (B)

UKCA marking



Eurasian Conformity Mark

Информация о дате изготовления устройства указана в конце серийного номера на его наклейке через дробь. Первая цифра означает номер года (последняя цифра года), две последующие означают номер недели.

Изготовитель: Mikrotikls SIA, Aizkraukles iela 23, Riga, LV-1006, Латвия, support@mikrotik.com. Сделано в Китае, Латвии или Литве. См. на упаковке.

Для получения подробных сведений о гарантийном обслуживании обратитесь к продавцу.

Продукты MikroTik, которые поставляются в Евразийский таможенный союз, оцениваются с учетом соответствующих требований и помечены знаком ЕАС, как показано ниже:



Norma Oficial Mexicana

EFICIENCIA ENERGETICA CUMPLE CON LA NOM-029-ENER-2017.

La operacion de este equipo esta sujeta a las siguientes dos condiciones:

- Es posible que este equipo o dispositivo no cause interferencia perjudicial y.
- Este equipo debe aceptar cualquier interferencia, incluyendo la que pueda causar su operacion no deseada.

Fabricante: Mikrotikls SIA, Unijas iela 2, Riga, LV-1039, Latvia.

País De Origen: Letonia; Lituania; China (Republica Popular); Estados Unidos De America; Mexico.


Por favor contacte a su distribuidor local para preguntas regionales especificas. La lista de importadores se puede encontrar en nuestra página de inicio – <https://mikrotik.com/buy/latinamerica/mexico>.

CE Declaration of Conformity

Manufacturer: Mikrotikls SIA, Unijas iela 2, Riga, Latvia, LV1039.

The full text of the EU declaration of conformity is available at the following internet address: <https://mikrotik.com/products>



 *Note. The information contained here is subject to change. Please visit the product page on www.mikrotik.com for the most up to date version of this document.*

gper