

# CPE

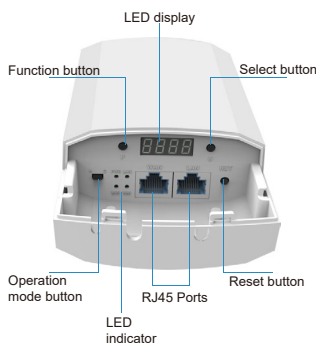
## GNT-CP535

- Speed up to 300Mbps
- 2.4G directional antenna\*1, gain:8dbi
- Transmission distance:1KM

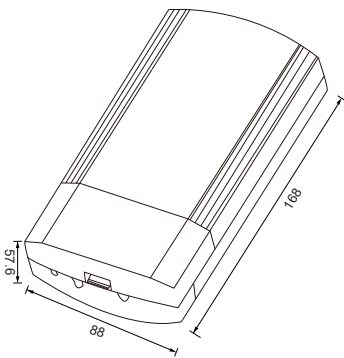
## Product Features

- IP66 Waterproof
- Multiple mounting methods
- Power over ethernet

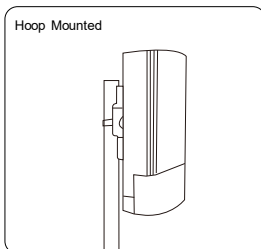
## Ports Description



## Dimension (mm)



## Installation Diagram



## Specifications

|                                 |  |      |         |      |         |
|---------------------------------|--|------|---------|------|---------|
| Model                           | GNT-CP535  |      |         |      |         |
| CPU                             | MT7628DAN  |      |         |      |         |
| Flash                           | 16M  |      |         |      |         |
| DDR2                            | 64M  |      |         |      |         |
| RF Data                         | 2.412 GHz~2.484GHz<br>802.11 b/g/n   |      |         |      |         |
| Built-in antenna 2.4G           | 2.4G directional antenna*1, gain:8dbi  |      |         |      |         |
| SSID hide                       | support  |      |         |      |         |
| Data rate                       | 300Mbps  |      |         |      |         |
| Maximum support wireless access | 50+  |      |         |      |         |
| RF Power                        | 802.11b  | 11M  | 18±2dBm | 1M   | 21±2dBm |
|                                 | 802.11g  | 54M  | 17±2dBm | 6M   | 20±2dBm |
|                                 | 802.11n HT20   | MCS7 | 16±2dBm | MCS0 | 19±2dBm |
|                                 | 802.11n HT40   | MCS7 | 15±2dBm | MCS0 | 18±2dBm |
| Receive Sensitivity             | 802.11b  | 11M  | -85dBm  | 1M   | -94dBm  |
|                                 | 802.11g  | 54M  | -72dBm  | 6M   | -88dBm  |
|                                 | 802.11n HT20   | MCS7 | -68dBm  | MCS0 | -86dBm  |
|                                 | 802.11n HT40   | MCS7 | -66dBm  | MCS0 | -85dBm  |
| EVM                             | 802.11b: ≤-10 dB;802.11g: ≤-25 dB;802.11n: ≤-28dB  |      |         |      |         |
| PPM                             | ±20ppm   |      |         |      |         |
| Interface (WAN)                 | 1*10/100Mbps RJ45 WAN Port   |      |         |      |         |
| Interface (LAN)                 | 1*10/100Mbps RJ45 LAN Port   |      |         |      |         |
| Special function                | AI Watchdog  |      |         |      |         |
|                                 | Web comes with WiFi analyzer   |      |         |      |         |
|                                 | Digital displays (can display the mainstay, channel, signal strength and other information)                                      |      |         |      |         |
|                                 | Support TDMA   |      |         |      |         |
| Network tube function           | Support AC management in AP mode   |      |         |      |         |
| Power                           | PoE 24V 0.5A   |      |         |      |         |
| Button                          | Reset key (long press for 10 seconds to restore the factory default configuration, short press for 1 second to launch a pairing) |      |         |      |         |
|                                 | 1 dial switch button (from the left master)  |      |         |      |         |
|                                 | 2 digital display control buttons; function keys F and select key S  |      |         |      |         |
| LED light                       | Sys(System), WAN, LAN, Wi-Fi   |      |         |      |         |
| Waterproof level                | IP66   |      |         |      |         |
| ESD protection standard         | Contact Discharge: ±6KV; Air Discharge: ±8KV   |      |         |      |         |
| Surge protection standard       | Common mode:±2KV; Differential mode:±1KV   |      |         |      |         |
| Maximum power consumption       | < 5W   |      |         |      |         |
| Size                            | 168mm*88mm*57.6mm  |      |         |      |         |
| Temperature                     | Working: -30°C ~ 55°C  |      |         |      |         |
|                                 | Storage: -40°C ~ 70°C  |      |         |      |         |
| Humidity                        | 5%~95% (typical)   |      |         |      |         |