

ORDER CODE	PRODUCT DESCRIPTION
VULCAN 2 DS	VULCAN 2 DETECTOR SOUNDER
VULCAN 2 DSI	VULCAN 2 DETECTOR SOUNDER WITH ISOLATOR
VULCAN 2 DSB	VULCAN 2 DETECTOR SOUNDER WITH BEACON
VULCAN 2 DSBI	VULCAN 2 DETECTOR SOUNDER WITH BEACON WITH ISOLATOR
VULCAN 2 DB	VULCAN 2 DETECTOR BEACON
VULCAN 2 DBI	VULCAN 2 DETECTOR BEACON WITH ISOLATOR
VULCAN 2 L	LID FOR VULCAN 2
VULCAN 2 LT	TRANSPARENT LID FOR VULCAN 2

Mechanical Specification

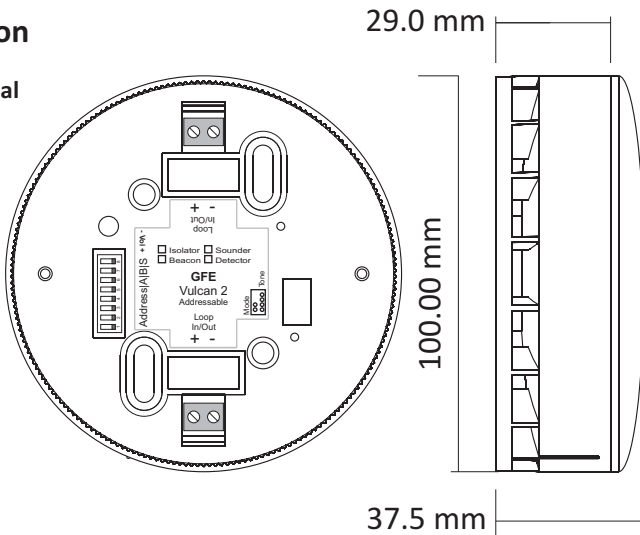
Enclosure Construction Material

Flame Retardant rating 94V0
White ABS - Transparent PC

Weight

Base Sounder - 100 g
including Lid - 120 g

including electronic circuits
and fixings



Technical Specifications

Operating Voltage	17-30V DC
Sounder Output	
Low Frequency 800-1000Hz	85 dB @ 1 metre
High Frequency 2400-3000Hz	88 dB @ 1 metre
Current Consumption	Add 12 mA when conventional detector is in alarm
Quiescent	1.1 mA + conventional detector quiescent current
Sounder Low Freq.	4 mA
Sounder High Freq.	7 mA
Beacon	2.5 mA
Combined - Low Freq.	5.5 mA
Combined - High Freq.	8.0 mA

Vulcan 2

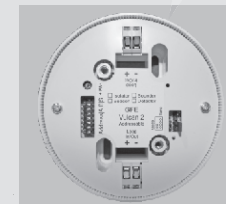
Detector Sounder - Beacon

With 15 different variations, the Vulcan 2 brings an exciting flexibility to the Global Fire Equipment range of warning devices and interfaces. Up to 96 Vulcan 2 devices can be connected to a single Loop depending on Loop Loading. In the case of combined Sounder and Beacon devices the maximum number of devices should not exceed 64.

The addressable Vulcan 2 is available as a Detector Sounder, Beacon or combined Sounder / Beacon. This particular device permits a conventional detector to be connected to the addressable loop via the Sounder and/or Beacon. There are also versions available incorporating a loop isolator.

All Vulcan 2 devices have D.I.L. switch Address setting while Tone selection is via a jumper. Shadow Sounder and Detector Sounder settings are also achieved using the 8 way D.I.L switch and a jumper respectively. There is also a potentiometer which may be used to adjust the sound level if required.

Normally the Vulcan 2 Detector Sounder will always be used in conjunction with a conventional heat/smoke detector.



Features

- High Quality
- Complies with EN-54 pt.3
- Low current consumption.
5.5 mA for combined Sounder/Beacon
- Allows use of Conventional Detectors
- Synchronization for fast activation
- Compatible with all GFE addressable panels
- Loop Isolator option.

Detector Soundre/ Beacon

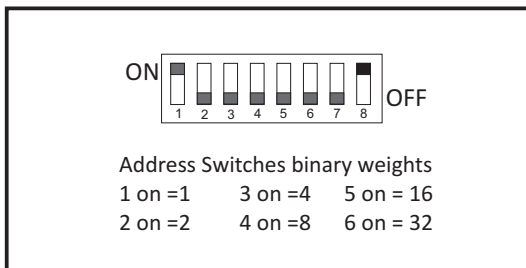
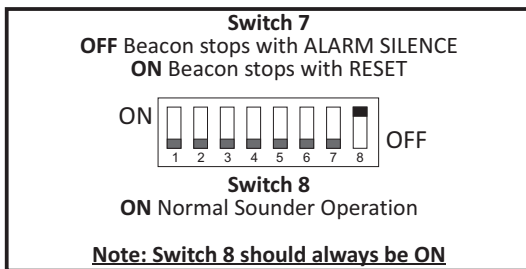
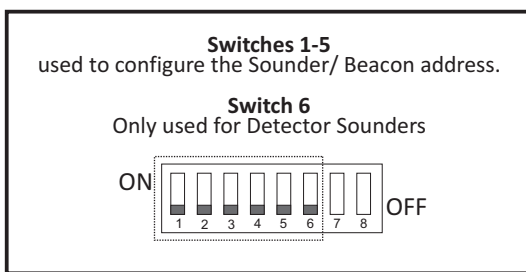
The Vulcan 2 Detector Sounder/ Beacon is a Base Sounder and/or Beacon which is also used to interface one conventional detector to the Analogue Addressable Loop. The number of Detector Sounders/ Beacons connected to each Loop is dependent on Loop loading and in any case the total number/ loop should not exceed 64.

If only detector sounders are used then this number may be increased to 96 sounders per loop. This includes normal addressable sounder beacons placed between address 94 and 125. These are fully programmable in sounder groups.

Detector Sounders are always placed between address 1 and 63 and cannot be included in sounder groups. Device will report to the panel as either a SMOKE or HEAT detector depending on MODE jumper position.

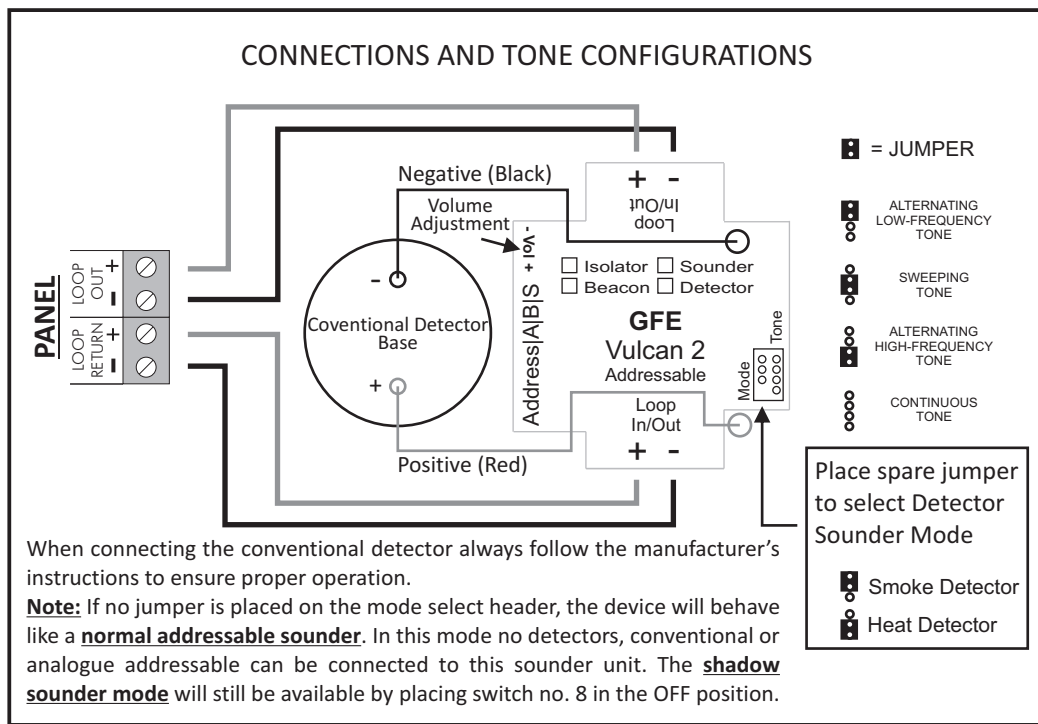
CAUTION : SHADOW Sounder / Beacon

The Vulcan 2 Addressable Detector Sounder / Beacon should NOT be configured as a Shadow Sounder/ Beacon using the 8 – way dip switch provided. Switch 8 should always be in the ON position.



Sounder/ Beacon Address Settings

Sounder 1 94	Sounder 2 95	Sounder 3 96	Sounder 4 97	Sounder 5 98	Sounder 6 99	Sounder 7 100	Sounder 8 101
Sounder 9 102	Sounder 10 103	Sounder 11 104	Sounder 12 105	Sounder 13 106	Sounder 14 107	Sounder 15 108	Sounder 16 109
Sounder 17 110	Sounder 18 111	Sounder 19 112	Sounder 20 113	Sounder 21 114	Sounder 22 115	Sounder 23 116	Sounder 24 117
Sounder 25 118	Sounder 26 119	Sounder 27 120	Sounder 28 121	Sounder 29 122	Sounder 30 123	Sounder 31 124	Sounder 32 125



Detector Sounder/ Beacon Address Settings

01	02	03	04	05	06	07	08
09	10	11	12	13	14	15	16
17	18	19	20	21	22	23	24
25	26	27	28	29	30	31	32
33	34	35	36	37	38	39	40
41	42	43	44	45	46	47	48
49	50	51	52	53	54	55	56
57	58	59	60	61	62	63	