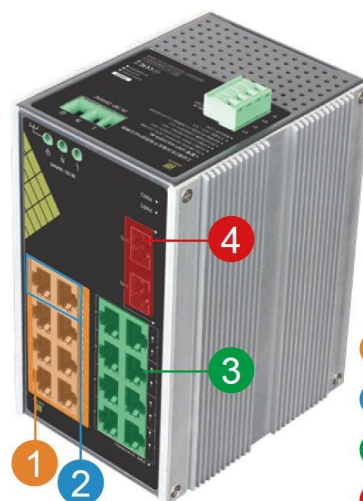


# Industrial Gigabit PoE Switch



- 1 1000Mbps PoE Ports
- 2 2x 60W Power Ports
- 3 1000Mbps Ports
- 4 1000Mbps SFP Ports

**GNT-IG1218F8-AC**

IP40 Protection  
Total 130W power supply  
8 ports PoE, 8 ports  
2 ports SFP

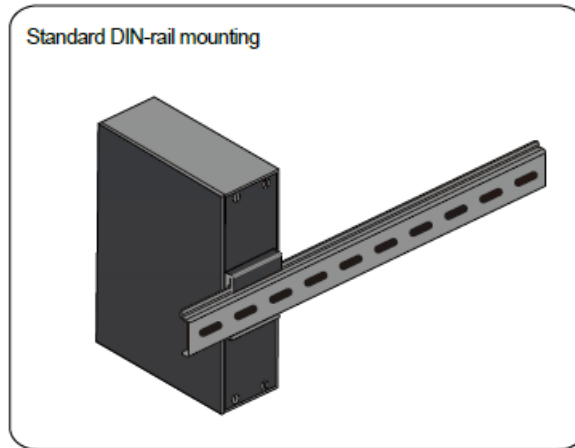
**Product Features**

Aluminum shell for better heat dissipation , stable and durable  
For extreme temperature enviroments: -40°C~70°C  
Standard DIN-Rail mounting, fast in installation

**Specifications**

Ports	(1~8):10/100/1000Mbps ports (RJ45), PoE (9~14):10/100/1000Mbps PoE ports (RJ45), PoE (15~16):10/100/1000Mbps PoE ports (RJ45), Support bt 60W High Power SFP (1~2):10/100/1000Mbps SFP ports
Transmission Rate	1000Mbps Full Duplex; 10 or 100 or 1000 Mbps Half Duplex
Transmission Distance	130m
Performance Specification	Bandwidth:36Gbps Network Latency (10 to 1000Mbps): □16μs (use the 64byte package size) MAC address table: 8K Model GNT-IG1218F8-AC The Frame Filter & Transmission Rate: 14800pps the most for 10M port, 148800pps the most for 100M port;1488000pps the most for 1000M port
Networking Standard	IEEE 802.3i 10BASE-T/IEEE 802.3u 100BASE-TX IEEE 802.3ab 1000BASE-T IEEE 802.3x Flow Control IEEE 802.3af/at/bt Power over Ethernet
Power Support	Power Input: AC 90~264V, DC 48~52V, Triple Redundancy, AI Watchdog: Port 1~16 Total≤130W, Power Output: PoE 9~14 Port:1/2(+52V),3/6(GND)≤30W PoE15~16 Port:1245(+53V),3678(GND) Compatible1/2(+52V), 3/6(GND)≤60W
Protection Level	Protection Level:IP40, Lightning Protection:6KV, Per: IEC61000-4-5 ESD Protection:8KV, Per: IEC61000-4-2
Physical Specifications	Size(H*D*W): 145*110*88mm, Weight: 0.5KG/Pcs
Package	Size(L*W*H): 400*360*230mm(CTN Box); 12Pcs/CTN,
Working Environment	Operating Temperature: -40°C~70°C Storage Temperature: -40°C~70°C Relative Humidity: 5%~90% Non-condensing Heat dissipation mode: Fan design
Certification	CE Mark FCC Part15, Class B RoHS 2.0
Warranty	Whole Device: 1 year
Package Content	AC Power Cable, User Manual

## Installation Diagram



## Dimension (mm)

