



DC140 Technical Datasheet

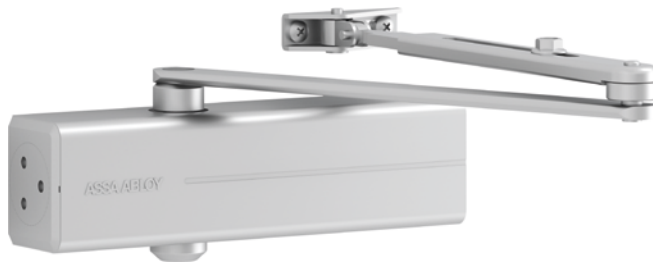
Economic and compact rack and pinion door closer

ASSA ABLOY
Opening Solutions

Experience a safer
and more open world

DC140

Rack and pinion door closer with link arm or guide rail – for single leaf doors, size 2/3/4/5



DC140 with link arm L140, silver, EV1

The DC140 is an economic and compact rack and pinion door closer. With its modern design and choice of finishes, it blends seamlessly into any environment. With the DC140, doors open comfortably and close securely.

- Certified in compliance with EN 1154, size 2/3/4/5
- Suitable for fire and smoke protection doors (not for hold-open link arm and guide rail)
- For single leaf doors up to 1250 mm width
- Barrier-free according to DIN 18040 and CEN/TR 15894

Colours

- Silver, EV1
- White, similar to RAL 9016
- Brown, similar to RAL 8014
- Black, similar to RAL 9005

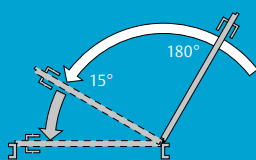
Features

- Can be used for left- and right-handed doors
- Closing and latch speeds can be raised and lowered independently
- Durable, front-facing metal valves make adjustments easy and reliable
- Consistent performance in a wide range of temperatures
- Backcheck functionality as standard protects frame and surrounding areas (not for parallel arm installation)
- Simplified stock management with universal parts and adaptable solutions

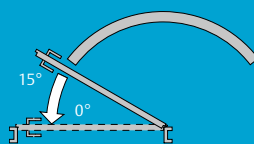
Link arms, guide rails and accessories

- **L140** standard link arm
- **L141** hold-open link arm with adjustable hold-open angle from 75° to 120° (cannot be used on fire doors)
- **G143** guide rail (cannot be used on fire doors)
- **A161** mounting plate for door closer
- **A168** mounting plate for link arm
- **A154** parallel arm bracket for parallel arm installation (does not provide full closing force)

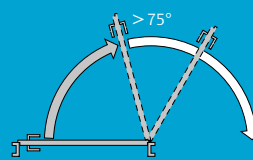
Independent adjustment via front-facing valves



Closing speed (S)



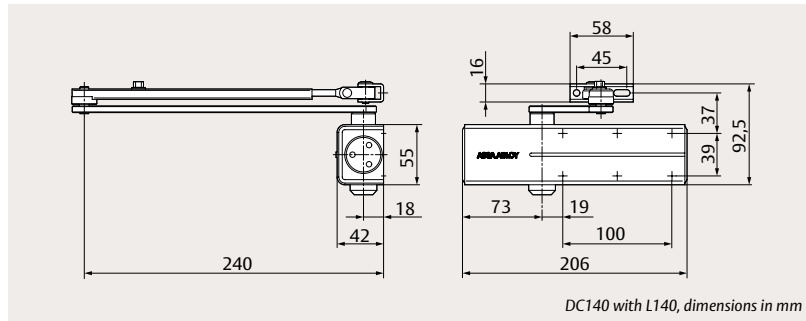
Latch speed (L)



Backcheck (BC)

DC140

Technical attributes and certification



Technical attributes

Closing force	EN size 2/3/4/5 (guide rail EN size 2)
Maximum leaf width	1250 mm
Closing speed (S)	Variable between 180° and 15°
Latch speed (L)	Variable between 15° and 0°
Backcheck (BC)	Variable above 75°
Maximum opening angle	~180° (125° for EN size 5)
Hold-open angle	75°-120° (for L141)
Door system	Single leaf
Handing	Left- / right-handed
Mounting options	Leaf mounting on hinge-side (non-hinge side with parallel arm) Frame mounting on non-hinge side
Force adjustment	No
Height adjustment	No
Corrosion resistance	Grade 3 (96 hours)
Dimensions (H x D x L)	55 x 43 x 206 mm



Visit assaabloy.com to download all relevant product literature



Certification and testing

Certified in compliance with	EN 1154
CE classification	4 8 2/3/4 1 1 3 3 8 5 1 1 3
CE / UKCA mark	Yes
Suitable for fire and smoke protection doors	Yes (≥EN3)
Barrier-free according to	CEN/TR 15894 DIN 18040
Third-party verified EPD	ISO 14025, EN 15804

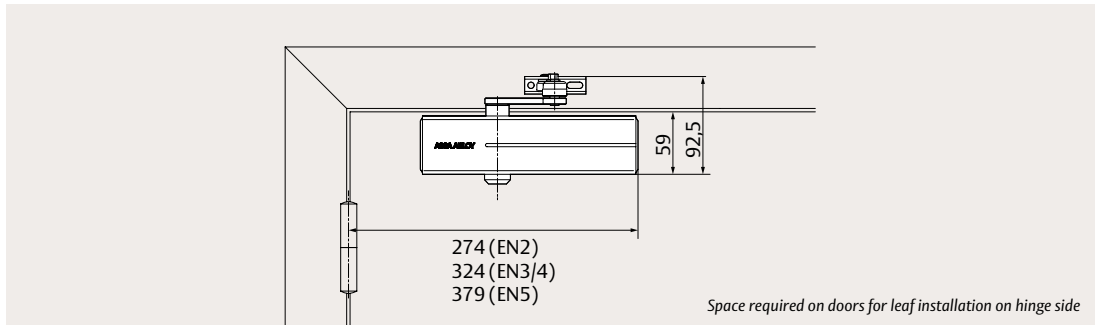


DC140

Space requirement and mounting dimensions

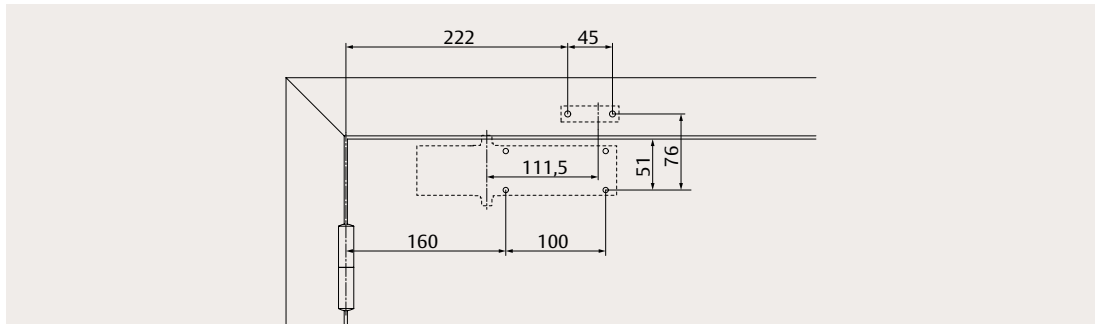


Scan the QR code to watch the installation video



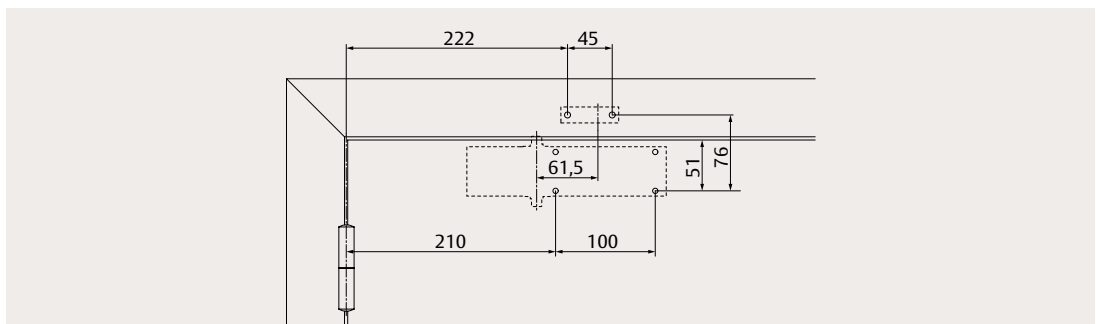
Direct leaf mounting with link arm EN size 2 on hinge side

The drawing illustrates installation on left-handed doors. For right-handed doors, it is the reverse.



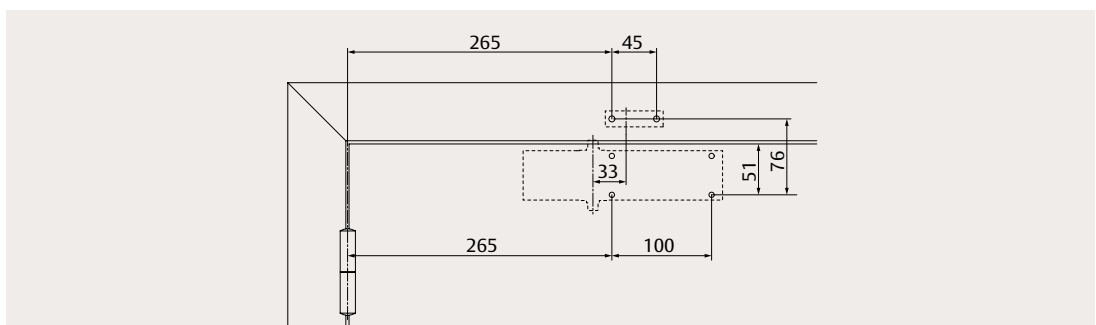
Direct leaf mounting with link arm EN size 3/4 on hinge side

The drawing illustrates installation on left-handed doors. For right-handed doors, it is the reverse.



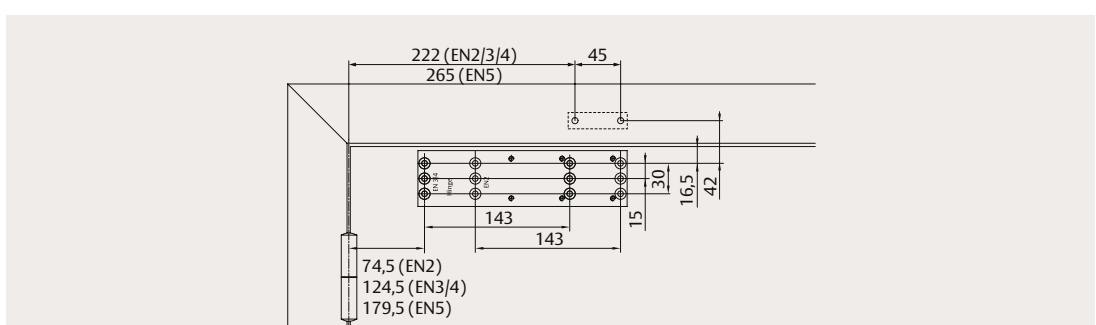
Direct leaf mounting with link arm EN size 5 on hinge side

The drawing illustrates installation on left-handed doors. For right-handed doors, it is the reverse.



Mounting plate leaf mounting with link arm EN size 2/3/4/5 on hinge side

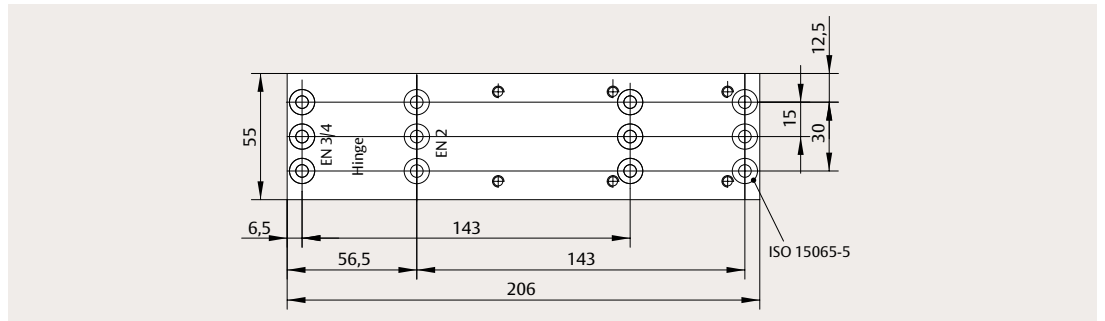
The drawing illustrates installation on left-handed doors. For right-handed doors, it is the reverse.



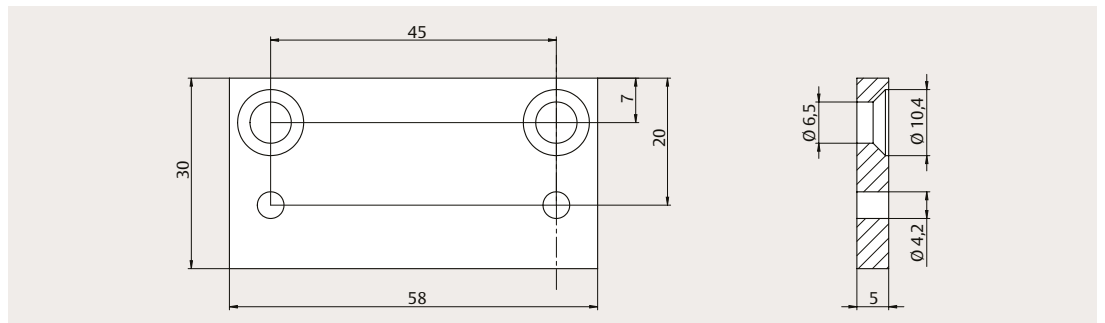
DC140

Accessories

A161 mounting plate for door closer

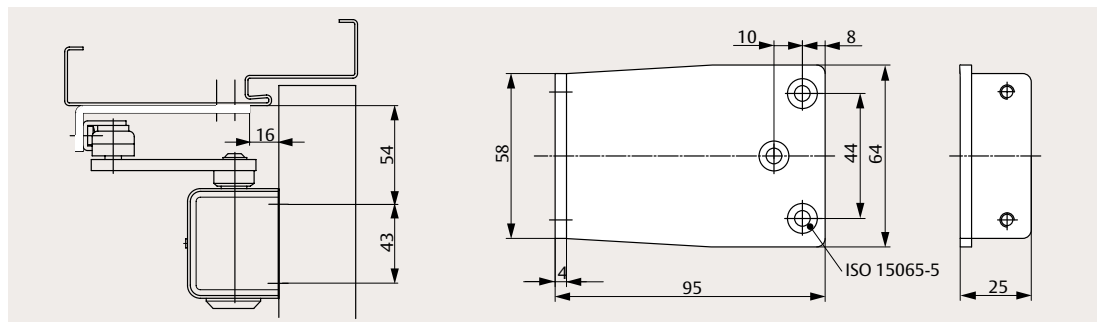


A168 mounting plate for link arm narrow frame mounting



A154 parallel arm bracket for parallel arm mounting

Check suitability for use on fire
and smoke protection doors.



DC140

Order information



Door closers

DC140, EN size 2/3/4/5, silver, EV1	DC140-----DEV1-
DC140, EN size 2/3/4/5, white, similar to RAL 9016	DC140-----D9016
DC140, EN size 2/3/4/5, brown, similar to RAL 8014	DC140-----D8014
DC140, EN size 2/3/4/5, black, similar to RAL 9005	DC140-----D9005
DC140 body, EN size 2/3/4/5, silver, EV1	DC140-0---DEV1-
DC140 body, EN size 2/3/4/5, white, similar to RAL 9016	DC140-0---D9016
DC140 body, EN size 2/3/4/5, brown, similar to RAL 8014	DC140-0---D8014
DC140 body, EN size 2/3/4/5, black, similar to RAL 9005	DC140-0---D9005

DC140, silver



DC140, white



DC140, brown



DC140, black



Link arms

Link arm L140, silver, EV1	DCL140-----EV1-
Link arm L140, white, similar to RAL 9016	DCL140-----9016
Link arm L140, brown, similar to RAL 9005	DCL140-----8014
Link arm L140, black, similar to RAL 8014	DCL140-----9005

L140, silver



L140, white



L140, brown



L140, black



Hold-open link arms

Hold-open link arm L141, silver, EV1	DCL141-----EV1-
Hold-open link arm L141, white, similar to RAL 9016	DCL141-----9016
Hold-open link arm L141, brown, similar to RAL 9005	DCL141-----8014
Hold-open link arm L141, black, similar to RAL 8014	DCL141-----9005

L141, silver



G143, silver



Guide rails

Guide rail G143, silver, EV1	DCG143-----EV1-
Guide rail G143, white, similar to RAL 9016	DCG143-----9016
Guide rail G143, brown, similar to RAL 8014	DCG143-----8014
Guide rail G143, black, similar to RAL 9005	DCG143-----9005

A154, silver



A161, silver



A168, silver



Accessories

Parallel arm bracket A154, silver, EV1	DCA154-----EV1-
Parallel arm bracket A154, white, similar to RAL 9016	DCA154-----9016
Parallel arm bracket A154, brown, similar to RAL 8014	DCA154-----8014
Parallel arm bracket A154, black, similar to RAL 9005	DCA154-----35--
Mounting plate A161, silver, EV1	DCA161-----EV1-
Mounting plate A161, white, similar to RAL 9016	DCA161-----9016
Mounting plate A161, brown, similar to RAL 8014	DCA161-----8014
Mounting plate A161, black, similar to RAL 9005	DCA161-----35--
Mounting plate A168, for link arm, silver, EV1	DCA168-----EV1-

The ASSA ABLOY Group is the global leader in access solutions. Every day, we help billions of people experience a more open world.

ASSA ABLOY Opening Solutions leads the development within door openings and products for access solutions in homes, businesses and institutions. Our offering includes doors, door and window hardware, locks, access control and service.

ASSA ABLOY
Opening Solutions

ASSA ABLOY Opening Solutions EMEIA
Dukes Court
Dukes Street
Woking
GU21 5BH
United Kingdom
assaabloy.com