

Your Secure Choice

**ZUDSEC<sup>®</sup>**  
Build a safer & smarter world



# PRODUCTS CATALOG

## Smart Home & Easy Security

Global . Secure . Connected

[www.zudsec.com](http://www.zudsec.com)



scan QR code for follow



FOCUSING ON SMART HOME/SECURITY SYSTEM  
24 YEARS 1999-2023

ZUDEN TECHNOLOGY (HK) CO., LIMITED

# ABOUT US

## 24 YEARS OF ZUDSEC MAGIC

We have what it takes to protect millions of homes worldwide.

### SECURITY PRODUCTS



## Welcome

Welcome

Founded in 1999, ZUDEN Technology (HK) Co., Limited is a High-tech enterprise specialized in developing and manufacturing of cost-effective and sophisticated security alarm, access control and smart home products. Zuden's systems support a wide range of security solutions and offer easy and fast programming features to suit all types of installations.

We have outstanding R&D and manufacturing capabilities, complete enterprise management system, and perfect quality assurance system, and perform strict QC measures in the whole production process. Meeting CE, FCC, RoHS and Other Standards.

In the past 24 years, our products have been widely marketed in more than 140 countries and regions around the globe. The features and qualities of our products have received high recognitions from customers worldwide.

We have been making unremitting efforts to be the world's leading provider for intelligent security system, smart Home and access control solutions, and hope to work together with you to create a harmonious society and better future.

COMPANY PROFILE

## COMPANY CULTURE

### Business Philosophy:

Keep trustworthiness, emphasize on quality and service, and focus on the development of Hi-Tech Security Products.

### Enterprise Spirit:

Honesty, Profession, and Innovation

### Enterprise Slogan:

Infinite Innovation, Constant Pursuit of Superexcellence.

### Concept of Products:

Quality originates from profession.

### Service Principal:

Professional Service, Satisfaction in all.

### Enterprise Prospect:

Global Professional Leading Security Products Manufacturer.



## Touch Keypad / LCD

*GSM + WIFI Dual-Net Alarm System*

**WiFi**

**GSM**  
GLOBAL SYSTEM FOR  
MOBILE COMMUNICATIONS



Model | **ZDAS-F5**

-THE NEXT GENERATION  
*Capacitive Touch Screen Alarm Products*

### Main Features:

- GSM+WIFI Dual Network Technology, Work with IP camera
- 4.3" TFT Full Touch screen panel, Slim panel with large SOS button
- Support 100 wireless zones + 4 wired zones
- Automatically dial 5 phone/SMS alarm numbers when danger
- Multi-Language menu/Operation tone guide.
- 2-way Intercom function, Support iOS & Android APP control
- Alarm notification via phone call, SMS or APP.
- GSM850/900/1800/1900MHZ (Quad-Band) applicable for universal

> ZDAS-P9



> Alarm Accessories:





## Integrated *Security Solution* FOR HOME AND PROJECT USE

**PSTN**  
**GSM**  
GLOBAL SYSTEM FOR  
MOBILE COMMUNICATIONS



Model | ZDAS-16CA-16G

Anti-Burglary

Anti-Robbery

Fireproofing

Anti-Gas Leaking

## **GSM & PSTN** Dual-Net LCD Alarm System

### Main Features:

- . GSM/GPRS /Telephone Line auto switch
- . 16 Wired Zone + 16 Wireless Zone
- . LED Keypad for easy programming.
- . Support 6 Alarm/SMS phone number and 1 CMS number
- . Auto-reporting of AC power failure, low voltage battery
- . Compatible with ADEMCO 4+2, Contact ID
- . Support GSM850/900/1800/1900MHZ
- . Widely used for commercial and residential

## GSM & WiFi Dual-Net Alarm System

### Main Features:

- . GSM/WiFi Double network protection.
- . 100 wireless Sensor + 10 remote controls
- . Built-in Clock and Color TFT LCD Screen Touch Panel
- . 1.8" TFT Touch Panel, Multi-Language menu/Operation tone guide
- . Support 5 alarm phone for call/SMS alarm
- . DIY, Customize, easy-to-use and install



Model | **ZDAS-A8**

### Main Features:

- . Runs on WiFi network
- . DIY, Petite & Powerful
- . Timely arm and disarm
- . 50 wireless + 4 remotes
- . iOS APP and Android APP remote control
- . No wiring needed, work with IP camera

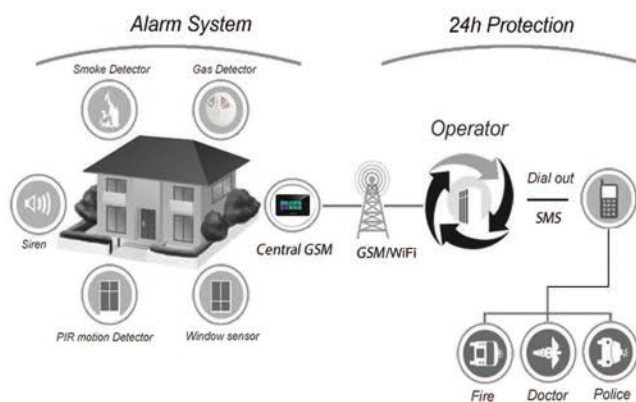


Model | **ZDAS-S3W**

## LCD WIFI/GSM Alarm System:



Model | **ZDAS-350G**



### Main Features:

- . GSM/WiFi network protection.
- . 100 wireless defense zones + 8 wired zones
- . LCD display with time clock display
- . 2-way voice communication
- . Full English display keypads /totally operation tone guide
- . The panel can be used as a telephone
- . SMS alert for power failure or recovery
- . DIY, customize, easy-to-use and install
- . GSM band: Available in 850/900/1800/1900MHz



Quality . Technology . Innovation

## Integrated Security Solution For Home and Project Use

Wired & Wireless PSTN Alarm System

Model | **ZDAS-16CA-8**

# Security Alarm System

Anti-Burglary   Anti-Robbery   Fireproofing   Anti-Gas Leaking



## On-Site Alarm System



### ZDAS-S1 On-Site Alarm System

- ★ No wiring needed, Totally Wire-Free
- ★ Plug & Play, 90dB Siren
- ★ Formidable Siren & Flashes
- ★ With a high-capacity lithium backup battery
- ★ Local alarm to frighten the intruder.



### ZDAS-S2 On-Site Alarm System

- ★ Plug & Play, No Wire No Fuss
- ★ Formidable Siren & Flashes brightly
- ★ 90dB Siren, Learning code
- ★ With a high-capacity backup battery
- ★ Local alarm to frighten the intruder.

- Optimal model: ZDAS-S2W WiFi Alarm System



### ZDAS-S5 Outdoor Solar Alarm

- ★ No wiring needed, Totally Wire-Free
- ★ Plug & Play, 129dB Siren
- ★ Formidable Siren & Flashes
- ★ Detection distance: 5~8m
- ★ Local alarm to frighten the intruder.



RoHS COMPLIANT

CE

RECYCLED PLASTIC MATERIALS



## ZDAS-S6

### On-Site Solar-Powered Siren Alarm

- ★ Wireless On-Site Alarm
- ★ Plug & Play, 120db Siren
- ★ Formidable Siren & Flashes
- ★ Solar power & Waterproof design
- ★ No wiring needed, Totally Wire-Free



## Bicycle / Electric tricycle / Vehicles

Vibration and Displacement Alarm



### ZDAS-106V

- ★ Using three-dimensional displacement sensors and special algorithms, more accurate catch the theft, reduce noise interference and other false trigger.
- ★ 7 level adjustable sensitivity, suitable for more application.
- ★ 6 kinds bell sound optional for searching the vehicle's position
- ★ 3 \*AAA batteries can be standby for 6~10 months.
- ★ IP55 waterproof

## ❏ Magnetic Window /Door Alarm



### ZDAS-105MF Magnetic Window /Door Alarm

- ★ Over 108dB super loud siren
- ★ Alarm with Sound&Flash, Alarm&Chime Selectable
- ★ Remote Control For Arm/Disarm/Panic
- ★ Two AAA battery for 12 months work



### ZDAS-105M Magnetic Window /Door Alarm

- ★ Over 108dB super loud siren
- ★ Anti-theft Alarm /Door Chime Selectable
- ★ Remote Control For Arm/Disarm/Panic
- ★ Two AAA battery for 12 months work



### ZDG-104M Magnetic Window /Door Alarm

- ★ Over 110dB super loud siren
- ★ Anti-theft Alarm /Door Chime Selectable
- ★ One-Year Battery life
- ★ Size: 6.4\* 4.9 \* 2.7cm



### ZDG-104MB Magnetic Window /Door Alarm

- ★ Over 105dB super loud siren
- ★ Anti-theft Alarm /Door Chime Selectable
- ★ 2-Year Battery life
- ★ Size: 10.3\* 5.9 \* 3.4cm



### ZDG-101PIR On-Site PIR Motion Alarm

- ★ Spot Alarm, No Wiring needed
- ★ Detects Motion & Activates Alarm
- ★ High siren volume: 125dB
- ★ Detecting distance /angle: 8M /110°
- ★ Remote Control For Arm/Disarm/Panic
- ★ Alarm mode & Doorbell mode adjustable





## Outdoor Intrusion Detector



### ZDD-289PIR

Outdoor Dual PIR/ Dual Microwave Detector

- ★ Dual Infrared+ Dual MW Technology
- ★ Anti-masking function
- ★ Waterproof class IP65
- ★ Pet-immunity Technology 25kgs



### ZDD-285PIR/185PIR

Outdoor Dual PIR/Microwave Intrusion Detector

- ★ Dual Infrared+ MW Technology
- ★ Advance True Motion Recognition
- ★ Pet-immunity Technology 25kgs
- ★ Waterproof class IP65( 185PIR without Microwave)



### ZDD-103PIRM

Outdoor Microwave & PIR Curtain Detector

- ★ Infrared+ MW Technology
- ★ Anti-masking function
- ★ Waterproof class IP65
- ★ Pet-immunity Technology 25kgs



### ZDD-150MB

Wired Outdoor Microwave Barrier

- ★ Detect intruders walking, running /crawling
- ★ Easy installation on pole, fence or wall.
- ★ Detection Distance: 150M
- ★ Waterproof class IP65



### ABT/ABE/ABH/ABL Active Photoelectric Beam Detector

- ★ Beams quantity available: 2, 3, 4, 6 beams
- ★ Protection distance available: 20~300m
- ★ Perimeter protection, Waterproof class IP66
- ★ Excellent anti-interferential ability



### ABX Series Active Infrared Fence Detector

- ★ 4 /6 /8 /10/12 infrared beams optional
- ★ 10, 20, 40, 60m range available
- ★ Excellent anti-interferential ability:
- ★ Convenient installation and adjustment

## Indoor Intrusion Detector



### ZDD-116PIR/216PIR

Wide Angle PIR Motion Detector

- ★ Detection distance: 8~12m
- ★ Detection angle: 110°
- ★ Alarm output NC/NC. optional
- ★ DC12V, Wall Mounted



### ZDD-106PIR

Wide Angle PIR Motion Detector

- ★ Detection distance: 12m
- ★ Detection angle: 110°
- ★ Alarm output NC./NO. optional
- ★ 9-16V D.C; Wall mounted



### ZDD-103PIR/113PIR

Curtain PIR Motion Detector

- ★ Detecting angle: 15°
- ★ Detecting distance: 9m
- ★ Alarm output NC./NO. optional
- ★ 9~12VDC, Wall mounted



### ZDD-111PIR

Ceiling Mount PIR Detector

- ★ Detection distance: 6m
- ★ Detection angle: 360°
- ★ Alarm output NC./NO. optional
- ★ 9-16V D.C; Ceiling mounted



### ZDD-102PIR

Wireless Curtain PIR Motion Detector

- ★ Detection distance: 12m
- ★ Detecting angle: 15°
- ★ Working frequency: 315MHz/433MHz
- ★ Low power indication, Wall mounted



### ZDD-107PIR/112PIR

Wireless Angle PIR Motion Detector

- ★ Detection distance: 8~12m
- ★ Detection angle: 110°
- ★ Pet-immunity: 12kg
- ★ Working frequency: 315MHz/433MHz



Quality . Technology . Innovation

### Wireless Door Sensors



**ZDD-401M**  
Wireless Mini Door/window sensor

- ★ Detecting door gap by opening
- ★ Sending distance: <100m(at open area)
- ★ Gap for triggered.: >15-20mm
- ★ RF Frequency: 433M or 315MHz



**ZDD-411MW**  
Wireless Rolling Door Sensor

- ★ Detecting door gap by opening
- ★ Sending distance: <100m(at open area)
- ★ Especially for Shutter/Rolling door
- ★ RF Frequency: 433M or 315MHz

### Wired Magnetic Contacts



**ZDD-412M**  
Surface Mount Magnetic Contact



**ZDD-412MB**  
Surface Mount Magnetic Contact



**ZDD-413M**  
Surface Mount Magnetic Contact



**ZDD-413MB**  
Surface Mount Magnetic Contact



**ZDD-422M**  
Surface Mount Magnetic Contact



**ZDD-421M**  
Recessed Mount Magnetic Contact



**ZDD-420M**  
Recessed Mount Magnetic Contact



**ZDD-414M**  
Recessed Mount Magnetic Contact



**ZDD-415M**  
Recessed Mount Magnetic Contact



**ZDD-413MA**  
Surface Mount Magnetic Contact



**ZDD-419M**  
Surface Mount Magnetic Contact



**ZDD-423M**  
Surface Mount Magnetic Contact



**ZDD-417M**  
Surface Mount Magnetic Contact



**ZDD-424M**  
Surface Mount Magnetic Contact



**ZDD-411MC**  
Shutter Sensor/Roller Door Sensor



**ZDD-416M**  
Recessed Mount Magnetic Contact



**ZDD-418M**  
Shutter Sensor/Roller Door Sensor



**ZDD-411M**  
Shutter Sensor/Roller Door Sensor



**ZDD-411LM**  
Shutter Sensor/Roller Door Sensor



**ZDD-411MB**  
Shutter Sensor/Roller Door Sensor



**ZDD-426M**  
Surface Mount Magnetic Contact



**ZDD-425M**  
Surface Mount Magnetic Contact



**ZDD-415MB**  
Recessed Mount Magnetic Contact



**ZDD-416MS**  
Recessed Mount Magnetic Contact



**ZDD-420MS**  
Recessed Mount Magnetic Contact

Quality . Technology . Innovation

### Wireless/Stand-Alone Smoke&Heat Detectors



**ZDD-307SHW**  
Wireless Smoke & Heat Detector

- ★ Detecting Smoke & Fire when Dange
- ★ Heat & Photoelectric sensor
- ★ Alarm volume: < 85dB
- ★ In comply with EN54-7,UL268



**ZDD-323SI**  
10Y Stand-Alone Smoke Alarm

- ★ Detecting Smoke & Fire alarm
- ★ Infrared Photoelectric sensor
- ★ 10 year long life battery
- ★ In comply with EN50291/UL2034

### Wired Smoke&Heat Detectors



**ZDD-315S-4 (4-Wire)**  
**ZDD-315S-2 (2-Wire)**  
Wired Smok Detector

- ★ Detecting Smoke & Fire when danger
- ★ Infrared Photoelectric sensor
- ★ Alarm volume: < 85dB
- ★ In comply with EN54-7,UL268



**ZDD-313S-4 (4-Wire)**  
**ZDD-313S-2 (2-Wire)**  
Wired Smok Detector

- ★ Detecting Smoke & Fire when danger
- ★ Infrared Photoelectric sensor
- ★ Alarm volume: < 85dB
- ★ In comply with EN54-7,UL268



**ZDD-309SH**  
Wired Smoke & Heat Detector

- ★ Detecting Smoke & Fire when Dange
- ★ Heat & Photoelectric sensor
- ★ Alarm volume: < 85dB
- ★ In comply with EN54-7,UL268



**ZDD-320H**  
Wired Heat Detector

- ★ Detecting Smoke & Fire when Dange
- ★ Heat & Photoelectric sensor
- ★ Alarm volume: < 85dB
- ★ In comply with EN54-7,UL268

### Gas & CO Detectors



**ZDD-309G**  
Wired Gas Detector

- ★ Detecting natural gas
- ★ Sound & Flash alarm
- ★ Alarm output N.C./ N.O.
- ★ Meet EN50194/UL1484



**ZDD-306GI**  
Standalone Gas Detector

- ★ Detecting Gas leakage
- ★ Semiconductor sensor
- ★ Alarm volume: < 85dB
- ★ In comply with EN5029/UL2034



**ZDD-306G**  
Wireless Gas Detoctor

- ★ Detecting Gas leakage
- ★ Sound & Flash alarm
- ★ 315MHZ/433MHZ
- ★ Meet: EN50194;UL1484



**ZDD-302CI**  
Carbon monoxide Detoctor

- ★ Detecting Co leakage
- ★ Semiconductor sensor
- ★ Alarm volume: < 85dB
- ★ In comply with EN50291/UL2034



Quality . Technology . Innovation

### Outdoor Strobe Sirens



#### ZDSH-110

Wired Outdoor Falsh Siren

- ★ ABS housing, UV prevention, Backup battery
- ★ Positive/Negative Siren & Flash Trigger
- ★ Inside metal cover for double protection
- ★ Sound Output: 120dB

#### ZDSH-108

Wired Outdoor Flash Siren

- ★ ABS housing, UV prevention, Backup battery
- ★ 2 way tamper switch protection
- ★ Inside metal cover for double protection
- ★ Sound Output: 120dB



#### ZDSH-111

Wired Outdoor Falsh Siren

- ★ ABS housing, UV prevention, Backup battery
- ★ Positive/Negative Siren & Flash Trigger
- ★ Inside metal cover for double protection
- ★ Sound Output: 120dB

#### ZDSH-105F

Wired Sound Strobe

- ★ Designed for Fire/Alarm System
- ★ 12VDC or 24VDC optional
- ★ Tone: 3 Tones selectable
- ★ Piezo sounder with 105dB±3dB at 1m



#### ZDSH-113

Wired Outdoor Falsh Siren

- ★ ABS housing, UV prevention, Backup battery
- ★ Positive/Negative Siren & Flash Trigger
- ★ Inside metal cover for double protection
- ★ Sound Output: 120dB

#### ZDSH-109

Wired Outdoor Falsh Siren

- ★ ABS housing, UV prevention, Backup battery
- ★ 2 way tamper switch protection
- ★ Lens color: blue, red, orange, clear
- ★ Sound Output: 120dB



#### ZDSH-119

Wired Outdoor Falsh Siren

- ★ 3 in 1, Metal Box + Siren + Strobe light
- ★ With built-in tamper switch
- ★ 20W siren inside, Tamper Switch
- ★ Sound Output: 118±3DB at 1M

#### ZDSH-120

Wired Outdoor Falsh Siren

- ★ Plastic Box + Siren + Flash
- ★ 20W siren inside, super bright LED
- ★ Tamper Switch, quick wiring connector
- ★ Sound Output: 118±3DB at 1M



#### ZDSH-112

Wired Outdoor Falsh Siren

- ★ ABS housing, Backup battery (optional)
- ★ With built-in tamper switch
- ★ Lens color: blue, red, orange
- ★ Sound Output: 120dB



#### ZDSH-128

Siren with Strobe Light

- ★ Outdoor use with durable poly carbon housing
- ★ Built-in dynamic speaker to generate loud sound
- ★ Lens color: blue, red, clear, amber
- ★ With xenon flash light on the top and tamper switch
- ★ 32 different tones
- ★ Low current design for both speaker and strobe light which can be used in series for a fire system, access control system, or any other systems which use more than one sounder and beacon.

### Siren /Strobe & Speaker



ZDSH-S6



ZDSH-104



ZDSH-101FB



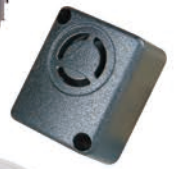
ZDSH-101



ZDSH-101F



ZDSH-102



ZDSH-122



ZDSH-105



ZDSH-106



ZDSH-103



ZDSH-107



ZDSH-107B



ZDSH-124



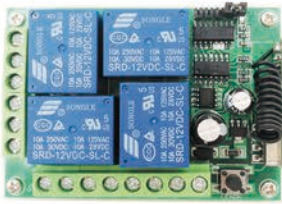
ZDSH-123

ZDSH-125



Quality . Technology . Innovation

### Other Alarm Accessories



**ZDRR-104**  
Wireless Remote Control Switch

- ★ 4-channel relay output
- ★ Code way: Learning code
- ★ Suitable: electric door, curtain and gate
- ★ Operating voltage: DC12V



**ZDRR-102**  
Wireless Remote Control Switch

- ★ 2-channel relay output
- ★ Code way: Learning code
- ★ Suitable: electric door, curtain and gate
- ★ Operating voltage: DC12V



**ZDRR-101**  
Wireless Remote Control Switch

- 1-channel relay output
- Code way: Learning code
- Suitable: electric door, curtain and gate
- Operating voltage: DC12V



**ZDRC-101 /103**  
Wireless Remote Controller

- ★ Four-button transmitter
- ★ Transmitting distance <100m
- ★ 433MHz or 315MHz
- ★ 12V, 23A battery



**ZDRC-101C**  
Wireless Remote Duplicator

- ★ Four-button transmitter
- ★ Available Chip type: Fixed /Learning code
- ★ Application: car /home alarm, panic buttons, garage door, rolling curtain etc.



**ZDEB-106 /107**  
Wireless Wrist Panic Button

- ★ Wrist Style, Waterproof & Anti-lost design
- ★ Idea for elderly home, Retire center/Hospital
- ★ Transmitting distance <100m
- ★ 433MHz or 315MHz



**ZDEB-114 /113**  
Pedal Switch/ Emergency Button

- ★ Used to alarm for emergency
- ★ Output: NO/NC AutoReset
- ★ DC12V
- ★ Mechanical life: 100,000 above



**ZDEB-110 /112**  
Wired Panic Button

- ★ Output: N.O. & N.C. terminals
- ★ Voltage: 12VDC
- ★ Housing: ABS, grey /white available
- ★ Used to Alarm or Exit



**ZDO-101**  
Wireless signal Repeater

- ★ Range: 500 Meters in open air
- ★ MAX items: up to learn 80pcs devices
- ★ 433M or 315MHz Frequency
- ★ Powered by AC adapter /DC12V



**ZDD-414GL**  
Glass Breakage Detector

- ★ Glass break protection
- ★ Dual LED Indication
- ★ Relay output: NC
- ★ Power Supply: 9~12VDC



**ZDD-002WL**  
Water Leakage Detector



**ZDD-003WL**  
Water Leakage Detector



**ZDEV-001**  
Electromagnetic Valve



**ZDPS-103 /102**  
PIR Motion Sensor Switch

- ★ Load power: 800W; 100V~265VAC
- ★ Detecting distance: 8~10 M
- ★ Operating voltage: 100V~265VAC (50~60Hz)
- ★ Application: automatic lighting and control



**ZDD-402V**  
Vibration Sensor



**ZDRV-971A**  
Vibration Sensor



**ZDBT-101**  
Sealed lead-Acid Battery

### Signal Shielding Isolator



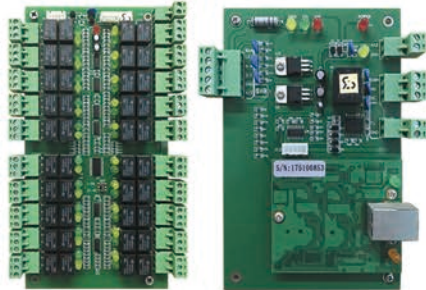
**Main Features:**

- ★ Jamming signal: 2G, 3G, 4G, 5G, WiFi and GPS
- ★ Effective: block signal in seconds
- ★ Shielding radius 1-15 meter
- ★ Built-in backup battery
- ★ Application: Conference room, Exam room, law court, library, School, negotiation room, Mobile vehicles and on-site protection etc.

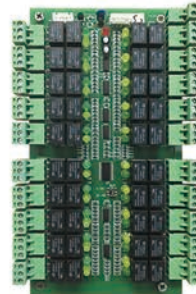


## TCP/IP Access Control Panel

### ■ Lift (Elevator) /Cabinet Lock Access Controller



**ZD3020M**  
Lift/Cabinet Lock Access Controller  
(Main board)



**ZD3020E**  
Extend Function Board  
(Work with ZD3020M)

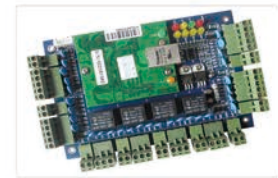
### ■ Professional Smart Card Access Controller



**ZD8001-TCP/IP**  
Single Door Access Controller

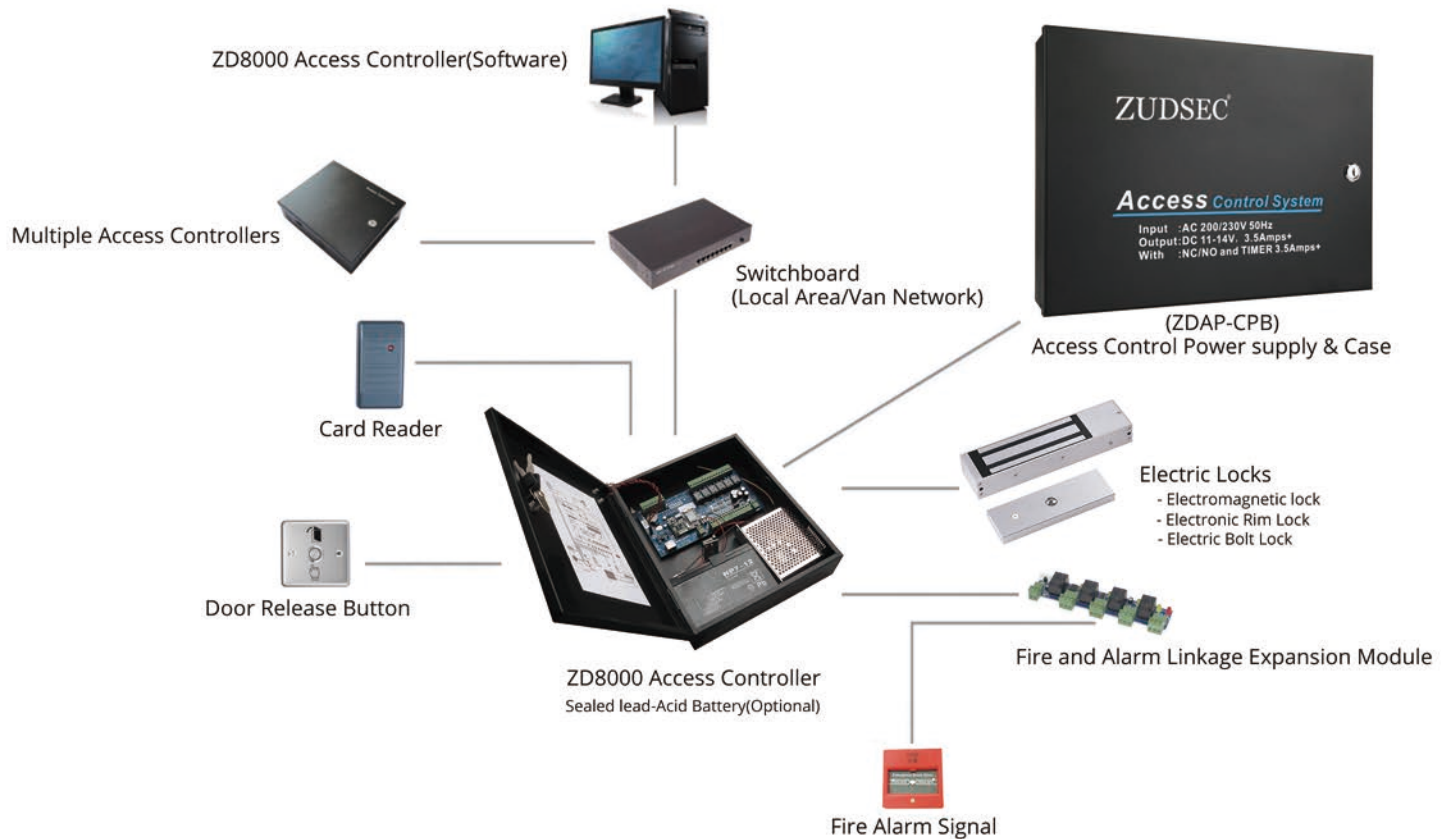


**ZD8002-TCP/IP**  
Double-Door Access Controller



**ZD8004-TCP/IP**  
Multi-Door (4) Access Controller

### ■ Access Controller Wiring Diagram for TCP/IP Communication



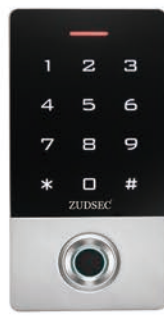
Quality . Technology . Innovation

## Face /Fingerprint Access control



**ZDAC-T1F**  
Facial & Fingerprint Access Control

- ★ 1000 Face/600 Fingerprint/100000 card
- ★ Face/Fingerprint/ RFID Card
- ★ Metal shell, anti-vandal design
- ★ Working way: Off-line



**ZDAC-T2F**  
RFID & Fingerprint Controller

- ★ 300 Fingerprint + 10000 card
- ★ Fingerprint/ RFID Card
- ★ Metal shell, Touch Keypad
- ★ Waterproof Design: IP68(Optional)



**ZDAC-F3K**  
RFID & Fingerprint Controller

- ★ 300 Fingerprint + 10000 card
- ★ Fingerprint/ RFID Card
- ★ Metal shell, anti-vandal design
- ★ Waterproof Design: IP68(Optional)



**ZDAC-T4F**  
RFID & Fingerprint Controller

- ★ 300 Fingerprint + 10000 card
- ★ Fingerprint/ RFID Card
- ★ Metal shell, anti-vandal design
- ★ Working way: Off-line



**ZDAC-T3FW-WiFi**  
WiFi Access Controller

- ★ 300 Fingerprint + 10000 card
- ★ Fingerprint/ PIN keyboard
- ★ With alarm function
- ★ App remote control

## Metal Shell Access control



**ZDAC-T1**  
Touch Panel Access Control

- ★ Identification: Card, Pin, Card + Pin
- ★ Read Card type: EM Card
- ★ Touch panel with backlights keys
- ★ Waterproof, Supports 4000 users



**ZDAC-2000**  
Metal Access Control

- ★ Identification: Card, Pin, Card + Pin
- ★ Read Card type: EM Card
- ★ Backlights keys
- ★ 2000 users, Keystroke backlight



**ZDAC-2300 /2500W**  
Metal Access Control

- ★ Identification: Card, Pin, Card + Pin
- ★ Aluminum alloy structure, waterproof
- ★ Backlights keys with built in doorbell
- ★ 2000 users & cards



**ZDAC-2400W/2600W**  
Waterproof Metal Access Control

- ★ PIN and proximity card reader
- ★ Waterproof, Aluminum alloy structure
- ★ Backlights keys,Built in doorbell
- ★ 2000 users & cards



## Plastic Shell Access control



**ZDAC-400BW**  
Big Capacity Access Control

- ★ Big Capacity: 10,000 Cards
- ★ Read Card type: EM Card/IC Mifare
- ★ Waterproof: IP68
- ★ Rainproof, moistureproof, durable



**ZDAC-2501**  
Standalone Access Control

- ★ Identification: Card, Pin, Card + Pin
- ★ Read Card type: EM Card
- ★ Backlights keys, 500 users
- ★ Can connect a external card reader



**ZDAC-300TW**  
WiFi Touch Panel Access Control

- ★ Identification: Card, Pin, Card + Pin
- ★ Read Card type: EM Card
- ★ Supports 2000 users
- ★ WiFi App remote control



**ZDAC-100T**  
Touch Panel Access Control

- ★ Touch Keypad RFID card reader
- ★ Read Card type: EM Card
- ★ With Doorbell Key
- ★ 1000 users & Cards



**ZDAC-236C**  
Standalone Access Control

- ★ Identification: Card, Pin, Card + Pin
- ★ Read Card type: EM Card
- ★ Supports 500 users
- ★ With doorbell key



**ZDAC-2200W**  
Waterproof Access Control

- ★ Identification: Card, Pin, Card + Pin
- ★ Read Card type: EM Card
- ★ Supports 2000 users, IP68
- ★ IP68 Waterproof, with doorbell key



Quality . Technology . Innovation

### RFID Card Reader



ZDR-09 Card Reader    ZDR-09B Card Reader    ZDR-16 Card Reader    ZDR-11 Card Reader    ZDR-13 Card Reader    ZDR-13K PIN keyboard Reader    ZDR-12 Mini Card Reader    ZDR-2400W Waterproof Reader

### Door Release Button



ZDBT-801 /801B /801B1 Stainless Steel Exit Button    ZDBT-053 /803 Zinc Alloy Exit Button    ZDBT-902 /903 Touch Sensor Exit Button    ZDBT-701BW/ZDBT-701W Waterproof Exit Button



ZDBT-801B1K /801E Key Stainless Steel Exit Button    ZDBT-701M /701BM Green Mushroom Cap Exit Button    ZDBT-701 /701B Stainless Steel Exit Button    ZDBT-802B /802 Infrared Sensor No Touch Exit Button



ZDBT-901B /901 Touch Sensor Exit Button-Surface Mount    ZDBT-701P /701BP Infrared Sensor No Touch Exit Button    ZDF-101 /101R / 101RL Emergency Door Release Button(Resettable)    ZDEB-A5/110 Plastic Door Release Button

### Other Access Accessories



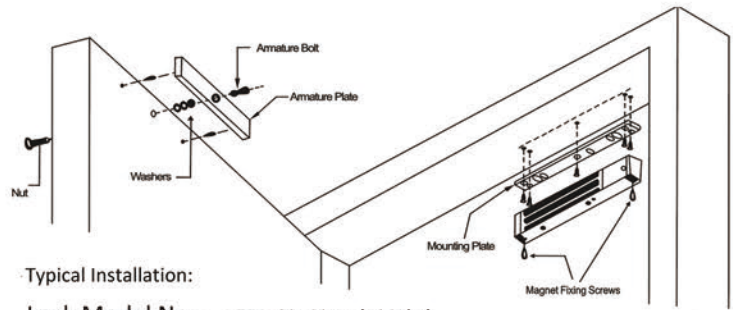
ZDCD-001 Key Tag EM Card    ZDCD-002 Thin EM Card    ZDCD-003 Thick EM Card    ZDDB-102 Wired Door Bell    ZDDL-101/102 Armored Door Loop    ZDAP-K80 Access Power Supply    ZDAP-803B/805B Access Power Supply



Quality . Technology . Innovation

### RFID Card Reader

- 2 wires, 12/24VDC, Single Door, Surface mounted



Typical Installation:

- Lock Model No.:
- ZDL-60: 60Kgs(120Lbs)
  - ZDL-180: 180Kgs(300Lbs)
  - ZDL-280: 280Kgs(600Lbs)
  - ZDL-350: 350Kgs(800Lbs)
  - ZDL-500: 500Kgs(1200Lbs)

> With Signal feedback:NO /NC /COM, 5 wires, Surface mounted

**"S" Series Lock Model:**

- ZDL-180S: 180Kgs(300Lbs)
- ZDL-280S: 280Kgs(600Lbs)
- ZDL-350S: 350Kgs(800Lbs)
- ZDL-500S: 500Kgs(1200Lbs)

> With Time Delay: 0-20 seconds adjustable, 4 Wires, Surface mounted

**"T" Series Lock Model:**

- ZDL-280T: 280Kgs(600Lbs)
- ZDL-350T: 350Kgs(800Lbs)
- ZDL-500T: 500Kgs(1200Lbs)

> With Signal Feedback(NO /NC /COM) + Timer(0-20 seconds adjustable)

**"ST" Series Lock Model:**

- ZDL-280ST: 280Kgs(600Lbs)
- ZDL-350ST: 350Kgs(800Lbs)
- ZDL-500ST: 500Kgs(1200Lbs)

> Double Door, Surface Mounted With Signal + Timer Optional

**"D" Series Lock Model:**

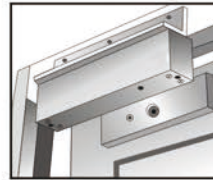
- ZDL-180D: 180Kgs(300Lbs) x 2
- ZDL-280D: 280Kgs(600Lbs) x 2
- ZDL-350D: 350Kgs(800Lbs) x 2
- ZDL-500D: 500Kgs(1200Lbs) x 2



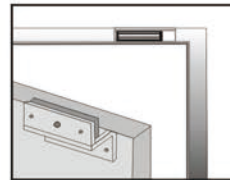
### Magnetic Lock Installation:



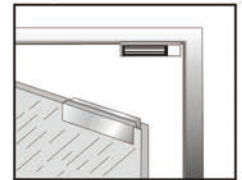
Standard No Bracket



L Bracket Narrow Door Frame(Swing out)



ZL Bracket Swing In Installation



U Bracket Pull Glass Door Leaf(Swing out)



ZDL-1200 Shear Magnetic lock

- ★ Holding Force: 1200kgs(2600Lbs)
- ★ Fail-safe type (Power to lock)
- ★ Auto sensing 12/24VDC input
- ★ Door status output



ZDL-180/280/350C Concealed Magnetic Lock

- ★ Holding Force: 180kgs/280kgs/350kgs/500kgs
- ★ Fail-safe type (Power to lock)
- ★ Reliable locking mechanism
- ★ Concealed Mount



ZDL-60 Mini Electromagnetic lock

- ★ Holding Force: 60kgs/120Lbs
- ★ Fail-safe type (Power to lock)
- ★ Reliable locking mechanism
- ★ Mini Design

### Door Holder

**ZDDH-001**  
Basic Wall Mount Door Holder

- ★ Holding Force: 60kgs/120Lbs
- ★ Fail-safe type (Power to lock)
- ★ Voltage: 12/24VDC+10%

**ZDDH-002**  
Extended Wall Mount Door Holder

- ★ Holding Force: 60kgs/120Lbs
- ★ Fail-safe type (Power to lock)
- ★ Voltage: 12/24VDC+10%

**ZDDH-006**  
Floor Mount Smokeproof Door Holder

- ★ Holding Force: 60kgs/120Lbs
- ★ Fail-safe type (Power to lock)
- ★ Voltage: 12/24VDC+10%

**ZDDH-003**  
Plastic Surface Smokeproof Door Holder

- ★ Holding Force: 60kgs/120Lbs
- ★ Fail-safe type (Power to lock)
- ★ Voltage: 12/24VDC+10%

**ZDDH-003B**  
Wall Mount Glass Fire Door Holder

- ★ Holding Force: 60kgs/120Lbs
- ★ Fail-safe type (Power to lock)
- ★ Voltage: 12/24VDC+10%

**ZDDH-005**  
Floor and Wall Mount Door Holder

- ★ Holding Force: 60kgs/120Lbs
- ★ Fail-safe type (Power to lock)
- ★ Voltage: 12/24VDC+10%

**ZDDH-009**  
Wall Mount Fire Door Holder

- ★ Holding Force: 60kgs/120Lbs
- ★ Fail-safe type (Power to lock)
- ★ Voltage: 12/24VDC+10%

**ZDDH-008C**  
Floor Mount Glass Door Holder

- ★ With Signal, Holding Force: 60kgs/120Lbs
- ★ Fail-safe type (Power to lock)
- ★ Voltage: 12/24VDC+10%

**ZDDH-008A**  
Floor Mount Door Holder

- ★ Holding Force: 60kgs/120Lbs
- ★ Fail-safe type (Power to lock)
- ★ Voltage: 12/24VDC+10%



Quality . Technology . Innovation

### Electric Rim Lock Series



#### ZDL-107N

- \* Common Steel Double Cylinder
- \* Electric Rim Lock with Rotating
- \* Surface Finish: Nickel Plating

#### ZDL-107S:

- \* Stainless Steel Brushed, Double Cylinder

#### ZDL-107G

- \* Stainless Steel Double Cylinder
- \* Electric Rim Lock with Rotating
- \* Surface Finish: Gray powder

#### ZDL-107N-B:

- \* Surface Treatment: Black Spray-Painted



#### ZDL-100M

Mini Electric Cabinet Lock

- ★ Power-on to unlock
- ★ Input Voltage: DC 12V
- ★ Material: Stainless steel
- ★ Lock Size: 55\*41\*28mm



#### ZDL-230Z

Electric Bolt Lock-5-Wire

- ★ Safety mode: Power-on to lock
- ★ Input Voltage: DC 12V
- ★ Zinc Alloy, Surface mounted
- ★ With Signal & Timer
- ★ Dimension: L150xW34xH28(mm)

### Electric Bolt Lock



#### Electric Bolt Lock

- ZDL-200L: 2 Wire /with Low Temperature
- ZDL-200T: 2 Wire /Low Temperature with Time Delay
- ZDL-200SD: 5 Wire /Low Temperature With Signal & Timer

#### Sturdiness Bolt Lock

- ZDL-210NC: Power to lock
- ZDL-210NO: Power to unlock

#### Sturdiness Bolt Lock-Narrow panel

- ZDL-211NC: Power to lock
- ZDL-211NO: Power to unlock

#### Electric Bolt for Frameless Glass Door

- ZDL-5818: Power to lock
- ZDL-5818S: Power to unlock

#### Bolt Lock Bracket:

#### ZDL-B80A:

- Aluminum alloy material
- Bracket for Frameless Glass Door



#### ZDL-B80S:

- Stainless Steel material
- Bracket for Frameless Glass Door



#### ZDL-B200:

- Stainless Steel material
- Bracket for Fully Frameless Glass Door



### Electric Strike Series



#### ZDL-130NO/NC

Standard-type Electric Strike

- ★ Type: Lock or unlock power electricity
- ★ Material: Stainless steel plate and zinc alloy housing
- ★ Power supply: 12V, 400mA
- ★ Lock Size: L149xW39xH34mm; ; Strike: 30mm



#### ZDL-130NO/NC-S

Standard-type Electric Strike -With Signal

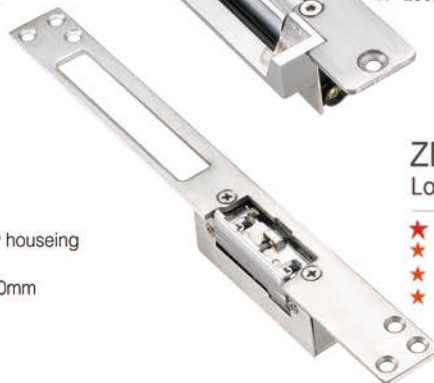
- ★ Type: Lock or unlock power electricity
- ★ With Signal Feedback(NO /NC /COM)
- ★ Power supply: 12V, 400mA
- ★ Lock Size: L149xW39xH34mm; ; Strike: 30mm/45mm



#### ZDL-120NO/NC

Narrow-type Electric Strike

- ★ Type: Lock or unlock power electricity
- ★ Material: Stainless steel plate and zinc alloy housing
- ★ Power supply: 12V, 400mA
- ★ Lock Size: L110xW25xH31mm; ; Strike: 30mm



#### ZDL-120NO/NC-L

Long-type Electric Strike

- ★ Type: Lock or unlock power electricity
- ★ Material: Stainless steel plate and zinc alloy housing
- ★ Power supply: 12V, 400mA
- ★ Lock Size: L250xW25xH31mm; ; Strike: 30mm

Quality . Technology . Innovation

## ■ Door Closer System

- ★ Flexible shaft
- ★ Adjustable telescopic arm
- ★ Both ends of speed
- ★ Sold rivets
- ★ Special Hydraulic oil
- ★ Mechanical life: 500000 tested

**MODEL: ZDDC-101**  
Small Square Door Closer

**MODEL: ZDDC-102**  
Medium Square Door Closer

**MODEL: ZDDC-103**  
Big Square Door Closer



**MODEL: ZDDC-201**  
Triangle Shape Door Closer

**MODEL: ZDDC-104**  
Quadrilateral Door Closer



### Concealed Door Closer

**ZDDC-801**  
Concealed Square Door Closer



Suitable for Door weight(35~65Kg)  
With stop function (90° and 180° orientation) without position  
Apply to the largest leaf size(1000X2100mm) One-Way opening door

**ZDDC-801R**  
Concealed Round Door Closer



Suitable for Door weight(35~65Kg)  
With stop function (90° and 180° orientation) without position  
Apply to the largest leaf size(1000X2100mm) for one-way opening door.



### ■ Escape Lock



Model | ZDL-650F

ZUDSEC HARDWARE



Quality . Technology . Innovation

## Video Doorphone System

### ZDVP-201 Wired Video Doorphone



- ★ 7" LCD display. Super slim !.
- ★ 4 wires system, easy installation
- ★ Visitor calling, video intercom, unlock, monitor, warning
- ★ Color CMOS camera. Night vision; Max Connection: 4monitors+2cameras

### ZDVP-204 Wired Video Doorphone



- ★ 7" LCD display. Super slim !.
- ★ 4 wires system, easy installation
- ★ Visitor calling, video intercom, unlock, monitor, warning
- ★ Color CMOS camera. Night vision; Max Connection: 4monitors+2cameras



### ZDVP-401 Wired Villa Video Doorphone

- ★ 7" LCD Display with touch keypad
- ★ 4 wires system, easy installation
- ★ 110° wide view angle.,800TVL,Night Vision
- ★ Monitor outdoor doorbell or CCTV cameras



### ZDVP-007WF Smart HD WIFI Battery Doorbell

- ★ Wide-angle HD video
- ★ Rechargeable Battery
- ★ Two-Way Audio and brilliant HD video
- ★ Night Vision with a motion-activated camera
- ★ Totally Wire-Free, Easy Installation
- ★ Wi-Fi Connection

## Fingerprint Time Attendance

### ZDTA-F06 Facial & Fingerprint Time Attendance

- ★ Display: 2.8 inch TFT Touch Screen
- ★ With Access Control function
- ★ Communication: TCP/IP, U-Disk
- ★ Identification: Facial, Fingerprint, Card, Password
- ★ Facial capacity: 1000
- ★ Fingerprint capacity: 5000
- ★ Proximity Card capacity: 5000



### ZDTA-30AC Fingerprint Time Attendance & Access Control

- ★ LCD Screen: 2.4 inch TFT Color Screen
- ★ 2 groups Access controller for 2-doors controlling
- ★ Identification: Fingerprint, Card, Password
- ★ Communication: USB port, TCP/IP
- ★ Fingerprint capacity: 2000
- ★ Proximity Card capacity: 2000
- ★ Password capacity: 2000



### ZDTA-F43 Facial Attendance Terminal

- ★ Display: 4.3 inch TFT touch panel
- ★ Face capacity: 5000; Password capacity: 5000
- ★ Camera: double HD Infrared camera
- ★ Verify mode: Face, Password, ID card
- ★ Communication: USB/U-disk/TCP/IP(WiFi optional)
- ★ Recognition distance: 0.5~2.5m
- ★ Voltage/current: DC9V~12V/1A



### ZDTA-F3 Fingerprint Time Attendance & Access Control

- ★ LCD Screen: 2.4 inch TFT Color Screen
- ★ 1 group Access controller for single-door controlling
- ★ Identification: Fingerprint, Card, Password
- ★ Communication: USB port, TCP/IP
- ★ Fingerprint capacity: 5000
- ★ Proximity Card capacity: 5000
- ★ Password capacity: 5000

## RFID Guard Tour System

Humanized design for bringing you brief and convenience.





Quality . Technology . Innovation

## ■ CCTV Power Supply



**ZDCP-1205-4**

★ 5A, 4-Channel Power Supply



**ZDCP-1210-9**

★ 10A, 9-Channel Power Supply



**ZDCP-1210-9U**

★ 10A, 9-Channel UPS Power Supply



**ZDCP-1220-18**

★ 20A, 18-Channel Power Supply



**ZDCP-1230-18**

★ 30A, 18-Channel Power Supply



**ZDPS-1205-4P**

5A, 4-Channel Power Adapter



**ZDPS-1205D**

DC12V, 5A, Power Adapter



**ZDPS-1201D/ZDPS-1202D**

DC12V /1A, DC12V/2A Adapter



**ZDPS-1201/ZDPS-1202**

DC12V /1A, DC12V/2A Adapter

## ■ Video Balun/Cable/BNC Connector/Others



**Model ZDVB-206HD**  
1 Channel Screwless Passive Video Transceiver



**Model ZDVB-6000HD-C**  
1 Channel Screwless Passive Video Transceiver



**Model ZDVB-213VP**  
1 Channel Passive Video Transceiver with Power BNC(Male)+DC(Male/Female)



**Model ZDVB-213AVP**  
1 Channel Passive Video Transceiver with Power & Audio BNC(Male)+DC(Male/Female)+RCA(Male)



**Model ZDVB-HD1011**  
1 Channel Passive Video Balun Support: HDCVI/AHD/HDTVI/CVBS



**Model ZDVB-7001-VP**  
1 Channel Passive Video Transceiver with Power BNC & DC (male)



**Model ZDPOE-713E**  
1000M Standard POE injector Total power : 30 watts Standard: IEEE802.3at



**Model ZDPOE-101D**  
POE Injector & Splitter Maximum extension distance 10-30M Pin compatible with POE: 45 (+), 78 (-)



**Model ZDBNC-L103**  
BNC male to RCA female connector



**Model ZDBNC-L106**  
RG59 BNC male connector (Screw type)



**Model ZDBNC-399A**  
BNC male connector (Screw Type)



**Model ZDBNC-L119**  
BNC female to RCA female connector



**Model ZDBNC-L108**  
BNC female to RCA male connector



**Model ZDBNC-L109**  
BNC male to RCA male connector



**Model ZDBNC-L105**  
BNC Male Connector RG58, RG59, RG60 Optional



**Model ZDBNC-L114**  
BNC male to BNC male links



**Model ZDBNC-L112**  
1 Male/ 2 Female BNC T Connector



**Model ZDDC-G04**  
BNC male connector



**Model ZDDC-G01**  
DC Power male Connector



**Model ZDDC-G02**  
DC Power Female Connector



**Model ZDCN-RJ45-5/6**  
CAT5/CAT6 Connector



**Model ZDSM-002**  
Microphone DC & RCA Connector



**Model ZDCB-18**  
1 to 8 DC power splitter



**Model ZDCB-14**  
1 to 4 DC power splitter



**Model ZDCB-101N**  
DC Power Male Cable cable: 30cm



**Model ZDCB-102N**  
DC Power Female Cable cable: 30cm

## ■ Sewer Pipe line Inspection Camera



10.1 inch Sewer Camera  
**Model ZDIC-101**



7 inch Sewer Camera  
**Model ZDIC-701ATR**

## ■ CCTV Tester



**ZDCT-0068**  
Multi-functions CCTV Tester

- ★ 5.4 Inch 5 in 1 CCTV Tester
- ★ H.265/H.264, 4K video display via mainstream
- ★ H.265/H.264, 4K video display via mainstream
- ★ Rapid ONVIF, auto view video and create testing report
- ★ For IP+AHD+CVI+TVI+CVBS Testing



Quality . Technology . Innovation

## WiFi Smart Home Security



**ZDD-003PIR-WF**  
Wifi Smart Motion Detector

- ★ Detection distance: 7M
- ★ Detection angle: 110°
- ★ APP Control
- ★ Input voltage: DC3V CR123A



**ZDD-001M-WF**  
Wifi Smart Door/Window Detector

- ★ Magnetic control distance:  $\geq 20MM$
- ★ WIFI: 802.11b/g/n
- ★ APP Control
- ★ Input voltage: DC3V LR03



**ZDD-005WL-WF**  
WiFi Water Leakage Detector

- ★ Water leak detection
- ★ WIFI:802.11b/g/n
- ★ APP Control
- ★ Battery:AAA1.5V\*2



**ZDEV-003WF**  
WiFi Smart Valve Controller

- ★ Pressure limitation: 86-106Kpa
- ★ WIFI:802.11b/g/n
- ★ APP Control
- ★ Working Voltage: DC10-14V



**ZDD-002S-WF**  
Wifi Smart Smoke Alarm

- ★ Alarm Sound Level: 80db/1m
- ★ Detecting Range: 20m<sup>2</sup>
- ★ App Control
- ★ Input Voltage: DC9V battery



**ZDD-003G-WF**  
Wifi smart Gas Alarm

- ★ Alarm Density: 6%LEL $\pm$ 3%LEL (CH4)
- ★ Detecting Range: 20m<sup>2</sup>
- ★ App Control
- ★ Input Voltage: AC 85V-250V



**ZDSH-S2W**  
Wifi Smart Siren

- ★ WIFI/RF Gateway & Siren: 2 in 1 Combo
- ★ 85dB alarm sound
- ★ App Control
- ★ 110/220VAC



**ZDVP-005WF**  
WIFI Smart HD Video Doorphone

- ★ Remote Control to unlock the door
- ★ 7" TFT LCD, 1080P high resolution
- ★ Smart APP control
- ★ Two-way real-time intercom

**ZDC-Q18IP**  
Wifi smart Indoor camera

- ★ Resolution:1920x1080(2.0MP)
- ★ Two way audio
- ★ APP Control
- ★ Storage: supports TF card(Max128G)



**ZDC-Q3IP**  
Wifi smart Outdoor camera

- ★ Resolution:1920x1080(2.0MP)
- ★ Two way audio
- ★ APP Control
- ★ Support external 256 GB Micro TF card



**ZDC-Q6**  
Wifi Outdoor PTZ Camera

- ★ Resolution:1920x1080(2.0MP)
- ★ Pan rotation 345°, Tilt Flip 90°
- ★ App Control
- ★ Support external 128 GB TF card



**ZDC-Q7-4G**  
4G Outdoor PTZ Solar Camera

- ★ 2.0MP, App Control
- ★ Pan rotation 345°, Tilt Flip 90°
- ★ Support PIR motion detection
- ★ Support SD card storage up to 64G

## WiFi Fingerprint Door Lock



**ZDSL-101WF**  
(For Room Door)



**ZDSL-100WF**  
(For Main Door)

### Main Features:

- ★ Fingerprint, pin, card, key, temporary pin
- ★ Wireless: Wi-Fi/ ZigBee
- ★ Smart Life APP control
- ★ Suitable: stainless steel/security/copper door
- ★ Works with Alexa, Google Assistant, IFTTT

Quality . Technology . Innovation

### WiFi Smart Home Automation



**ZDSW-101-US/EU/UK**  
WiFi Smart Light Switch

- ★ 1 Gang Wi-Fi Smart Wall Touch Switch
- ★ Power type: L&N type
- ★ Max. Load: 800W/Gang
- ★ Smart Life app control



**ZDSW-102-US/EU/UK**  
WiFi Smart Light Switch

- ★ 2 Gang Wi-Fi Smart Wall Touch Switch
- ★ Power type: L&N type
- ★ Max. Load: 800W/Gang
- ★ Smart Life app control



**ZDSW-103-US/EU/UK**  
WiFi Smart Light Switch

- ★ 3 Gang Wi-Fi Smart Wall Touch Switch
- ★ Power type: L&N type
- ★ Max. Load: 800W/Gang
- ★ Smart Life app control



**ZDSW-002WF**  
1CH WiFi Smart Switch

- ★ DIY Smart Switch
- ★ Max Load :10A
- ★ Smart Life APP Control
- ★ Work with Amazon Alexa/Google home



**ZDSW-001WF**  
1CH Smart Mini Switch Module

- ★ DIY Smart Switch, 10A
- ★ Suitable for switch concealed box
- ★ Smart Life APP Control
- ★ Work with Amazon Alexa/Google home



**ZDWL-101**  
WiFi SmartLED Light bulb

- ★ WiFi RGB+W LED Bulb
- ★ Smart Life APP Control
- ★ Color Temperature:6500K+RGB
- ★ Work with Amazon Alexa/Google home



**ZDSK-103WF/105WF**  
WiFi Smart Plug-US

- ★ Input: 100V ~ 240V
- ★ Max Load :16A/3000W
- ★ Smart APP control
- ★ Work with Amazon Alexa/Google home



**ZDRR-104W/102W/101W**  
1/2/4 Way WiFi Relay Module

- ★ Input: 5v MicroUSB/ DC7~32V
- ★ Working: Inching, interlock, self-lock
- ★ Smart APP control
- ★ Work with Amazon Alexa/Google home



**ZDD-002TH**  
WiFi Temperature Humidity Sensor

- ★ Temperature & humidity measurement
- ★ Display temperature/humidity/time
- ★ APP Control, intelligent linkage
- ★ Big LCD display, Long batter life



**ZDGD-001**  
WiFi Garage Door Opener

- ★ Remote open/close your garage door
- ★ Smart Life app control
- ★ Easy to install
- ★ Work with Amazon Alexa & Google Home



**ZDRC-S1WF**  
RF & WiFi IR Remote Controller

- ★ Control devices remotely
- ★ Home appliance only need a remote control
- ★ Smart Life APP control
- ★ Work with Amazon Alexa & Google Home



**ZDTM-002**  
Smart Thermostat

- ★ Intelligent temperature control
- ★ Heating/cooling with App Control
- ★ 95-240VAC, 50/60HZ
- ★ Voice control by Alexa&Google Home



**ZDCM-AM68-WF**  
WiFi Smart Curtain Motor

- ★ APP Control (Open&Close controller)
- ★ Flexible quiet design
- ★ Light touch function & Manually operation
- ★ Voice control by Alexa&Google Home



**ZDCM-AM43-WF**  
Wifi Motorized Roller Blind Engine

- ★ Smart DIY Motorized Roller Blinds
- ★ Powered by Solar Panel and Charger
- ★ Control via Smartphone App Freely
- ★ Voice control by Alexa&Google Home



**ZDSB-080A3P**  
WiFi Smart Circuit Breaker

- ★ 1P/2P/3P/4P WiFi breaker optional
- ★ Switch On/Off,Timer, Smart scene
- ★ Control via Smartphone App Freely
- ★ Voice control by Alexa&Google Home



**ZDWT-001**  
Smart Irrigation /Water Timer

- ★ Waterproof Standard: IP55
- ★ Rings Type: NH3/4 US; G3/4 EU
- ★ Control via Smartphone App Freely
- ★ Automatic irrigation application



Quality . Technology . Innovation

## ZigBee Full House Smart Home



**ZDSM-T6E**  
Super Smart Zigbee Gateway

- ★ ZigBee 3.0 protocol
- ★ Wireless Connection
- ★ Smart Life APP remote control
- ★ Voice Control by Alexa/Google Home



**ZDSM-002GW**  
Zigbee Smart Wireless Gateway

- ★ ZigBee 3.0+BLE+Sigmesh
- ★ Wireless Connection
- ★ Smart Life APP remote control
- ★ Voice Control by Alexa/Google Home



**ZDSW-101ZB-US/EU/UK**  
ZigBee Smart Light Switch

- ★ 1 Gang Wi-Fi Smart Wall Touch Switch
- ★ Power type: L&N type
- ★ Max. Load: 800W/Gang
- ★ Transfer protocol: ZigBee 3.0



**ZDSW-102ZB-US/EU/UK**  
ZigBee Smart Light Switch

- ★ 2 Gang Wi-Fi Smart Wall Touch Switch
- ★ Power type: L&N type
- ★ Max. Load: 800W/Gang
- ★ Transfer protocol: ZigBee 3.0



**ZDSW-103ZB-US/EU/UK**  
ZigBee Smart Light Switch

- ★ 3 Gang Wi-Fi Smart Wall Touch Switch
- ★ Power type: L&N type
- ★ Max. Load: 800W/Gang
- ★ Transfer protocol: ZigBee 3.0



**ZDSW-001ZB**  
1CH ZigBee Mini Switch Module

- ★ DIY Smart Switch, 16A
- ★ Suitable for switch concealed box
- ★ Support Two-Way control
- ★ Transfer protocol: ZigBee 3.0



**ZDSL-100ZB**  
Zigbee Fingerprint Door Lock

- ★ Fingerprint, pin, card, key, temporary pin
- ★ Suitable: stainless steel/security/copper door
- ★ 100 fingerprints/100 passwords/1,00 cards
- ★ Transfer protocol: ZigBee 3.0



**ZDCM-AM68-ZB**  
ZigBee Smart Curtain Motor

- ★ Open&Close controller
- ★ Flexible quiet design
- ★ Light touch function & Manually operation
- ★ Transfer protocol: ZigBee 3.0



**ZDHM-001ZB**  
Zigbee Temperature/Humidity Sensor

- ★ Detection: ambient temperature and humidity
- ★ Installation method: Wall mount
- ★ Smart APP control
- ★ Transfer protocol: ZigBee 3.0



**ZDSB-080A3P-ZB**  
ZigBee Smart Circuit Breaker

- ★ 1P/2P/3P/4P WIFI breaker optional
- ★ Switch On/Off, Timer, Smart scene
- ★ Transfer protocol: ZigBee 3.0
- ★ Voice control by Alexa&Google Home



**ZDD-003PIR-ZB**  
ZigBee Motion Detector

- ★ Detection distance: 7M
- ★ Detection angle: 110°
- ★ Transfer Protocol: Zigbee
- ★ Input voltage: DC3V 3V CR2450



**ZDD-004M-ZB**  
ZigBee Door/Window Detector

- ★ Magnetic control distance: ≥20MM
- ★ Working voltage: 2.3V-3.3V
- ★ Transfer Protocol: Zigbee
- ★ Input voltage: DC3V LR03



**ZDD-001S-ZB**  
ZigBee Smart Smoke Alarm

- ★ Alarm Sound Level: 70db/1m
- ★ Detecting Range: 20m<sup>3</sup>
- ★ Transfer Protocol: Zigbee
- ★ Input Voltage: DC3V LR03



**ZDD-002G-ZB**  
Zigbee Combustible Gas Detector

- ★ Alarm Density: 6%LEL±3%LEL (CH4)
- ★ Detecting Range: 20m<sup>3</sup>
- ★ Transfer Protocol: Zigbee
- ★ Input Voltage: AC 85V-250V



**ZDSH-001ZB**  
ZigBee Smart Siren

- ★ Trigger alarm; Make sound and light
- ★ 90dB alarm sound
- ★ Transfer Protocol: Zigbee
- ★ USB Power supply: 5V/1A



**ZDEM-001ZB**  
Zigbee Smart SOS Button

- ★ Push Button for emergency/Sos
- ★ Low power consumption
- ★ Transfer Protocol: Zigbee
- ★ Battery model: CR2032

# ZUDSEC®

Build a safer & smarter world

Your Secure Choice

**SMART /SECURITY PRODUCTS**

Tel: +86-755-28980181; Fax: 86-755-28918195

Http:// [www.zudsec.com](http://www.zudsec.com)

Email: [info@zudsec.com](mailto:info@zudsec.com)



scan QR code for follow

# Protect & Secure

*with* **ZUDSEC**



# ZUDSEC®

Innovative Security Solution

© ZUDSEC. October 2023.

Pictures used are for illustration purposes only.

Every efforts has been made to ensure information in this documents is correct

[WWW.ZUDSEC.COM](http://WWW.ZUDSEC.COM)