



CISA®

CATALOGUE NEW PRODUCTS

2004



Technical features:

- 10 pins (6 active, 4 passive) key biting system
- brass body with segment pack extended through the entire length of the cylinder
- brass plugs
- self-lubricating sintered steel projecting DIN cam
- pins:
 - in wear resistant bronze
 - in hardened steel in first position
- drivers:
 - in brass
 - in hardened steel in first position
- phosphor bronze springs
- Flat reversible key
 - in a special brass alloy nickel plated
 - numbered on key head

- Fixing screw

On request:

- Cylinders with 3 long neck keys (car. CL), with insert and personalised profile (car. CP)

Finishes:

- Standard: sanded brass (fin. 00)
- On request:
 - polished brass (fin. 66)
 - nickel plated brass (fin. 12)

Norms:

- Compliant with EN 1303 norms:
 - Durability: grade 6
 - Security: grade 3

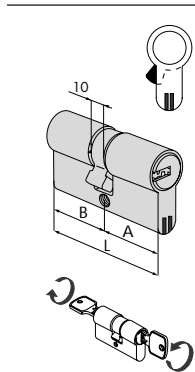
Patents:

- Utility model: B02003U000006 (Snap resistant Cylinder)

Supplied as standard:

- 3 keys
- Code Card

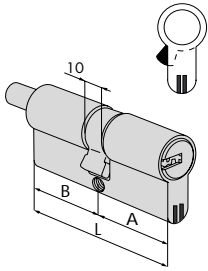
Type	Description	Comm. dim	Key item				Kg	Pieces	ITEM			
			L	A	B	Pins			Type	Dim.	Hand	Fin.



- Clutching systems double cylinders

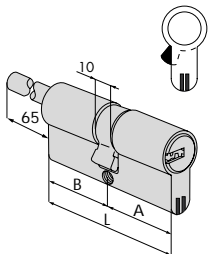
30 / 30	59,0	29,5	29,5	10	1 00620 01 0	0,235	12	1	OA3S1	07 0
28 / 34	61,2	27,7	33,5	10	1 00620 01 0	0,234	12	1	OA3S1	06 0
28 / 36	63,2	27,7	35,5	10	1 00620 01 0	0,240	12	1	OA3S1	09 0
30 / 35	64,0	29,5	34,5	10	1 00620 01 0	0,243	12	1	OA3S1	26 0
33 / 33	65,0	32,5	32,5	10	1 00620 01 0	0,258	12	1	OA3S1	10 0
35 / 35	69,0	34,5	34,5	10	1 00620 01 0	0,272	12	1	OA3S1	13 0
40 / 30	69,0	39,5	29,5	10	1 00620 01 0	0,272	12	1	OA3S1	12 0
28 / 43	70,2	27,7	42,5	10	1 00620 01 0	0,262	12	1	OA3S1	11 0
30 / 45	74,0	29,5	44,5	10	1 00620 01 0	0,274	12	1	OA3S1	27 0
35 / 40	74,0	34,5	39,5	10	1 00620 01 0	0,274	12	1	OA3S1	28 0
30 / 50	79,0	29,5	49,5	10	1 00620 01 0	0,301	12	1	OA3S1	17 0
35 / 45	79,0	34,5	44,5	10	1 00620 01 0	0,289	12	1	OA3S1	19 0
40 / 40	79,0	39,5	39,5	10	1 00620 01 0	0,289	12	1	OA3S1	18 0
30 / 55	84,0	29,5	54,5	10	1 00620 01 0	0,304	12	1	OA3S1	33 0
35 / 50	84,0	34,5	49,5	10	1 00620 01 0	0,360	12	1	OA3S1	31 0
40 / 45	84,0	39,5	44,5	10	1 00620 01 0	0,304	12	1	OA3S1	30 0
43 / 43	85,0	42,5	42,5	10	1 00620 01 0	0,308	12	1	OA3S1	46 0
30 / 60	89,0	29,5	59,5	10	1 00620 01 0	0,320	12	1	OA3S1	20 0
35 / 55	89,0	34,5	54,5	10	1 00620 01 0	0,332	12	1	OA3S1	32 0
40 / 50	89,0	39,5	49,5	10	1 00620 01 0	0,320	12	1	OA3S1	21 0
45 / 45	89,0	44,5	44,5	10	1 00620 01 0	0,333	12	1	OA3S1	29 0
30 / 65	94,0	29,5	64,5	10	1 00620 01 0	0,334	6	1	OA3S1	41 0
35 / 60	94,0	34,5	59,5	10	1 00620 01 0	0,390	6	1	OA3S1	38 0
40 / 55	94,0	39,5	54,5	10	1 00620 01 0	0,355	6	1	OA3S1	42 0
45 / 50	94,0	44,5	49,5	10	1 00620 01 0	0,334	6	1	OA3S1	39 0
30 / 70	99,0	29,5	69,5	10	1 00620 01 0	0,349	6	1	OA3S1	24 0
35 / 65	99,0	34,5	64,5	10	1 00620 01 0	0,349	6	1	OA3S1	22 0
40 / 60	99,0	39,5	59,5	10	1 00620 01 0	0,349	6	1	OA3S1	25 0
45 / 55	99,0	44,5	54,5	10	1 00620 01 0	0,349	6	1	OA3S1	43 0
50 / 50	99,0	49,5	49,5	10	1 00620 01 0	0,349	6	1	OA3S1	23 0
30 / 80	109,0	29,5	79,5	10	1 00620 01 0	0,378	6	1	OA3S1	37 0
40 / 70	109,0	39,5	69,5	10	1 00620 01 0	0,400	6	1	OA3S1	35 0
50 / 60	109,0	49,5	59,5	10	1 00620 01 0	0,402	6	1	OA3S1	36 0
55 / 55	109,0	54,5	54,5	10	1 00620 01 0	0,378	6	1	OA3S1	70 0
55 / 60	114,0	54,5	59,5	10	1 00620 01 0	0,420	6	1	OA3S1	71 0
60 / 60	119,0	59,5	59,5	10	1 00620 01 0	0,410	6	1	OA3S1	40 0

Type	Description	Comm. dim				Key item	Kg	Pieces	ITEM			
		L	A	B	Pins				Type	Dim.	Hand	Fin.



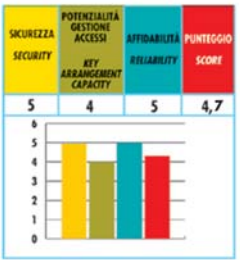
- Double cylinders with thumb turn shaft
- ON REQUEST
- KNOBES:
- item 1.06353.00
- item 1.06354.00

30 / 30	59,0	29,5	29,5	10	1 00620 01 0	0,244	12	1	0A3S2 07 0
30 / 35	64,0	29,5	34,5	10	1 00620 01 0	0,264	12	1	0A3S2 26 0
35 / 30	64,0	34,5	29,5	10	1 00620 01 0	0,259	12	1	0A3S2 81 0
33 / 33	65,0	32,5	32,5	10	1 00620 01 0	0,267	12	1	0A3S2 10 0
30 / 40	69,0	29,5	39,5	10	1 00620 01 0	0,279	12	1	0A3S2 82 0
35 / 35	69,0	34,5	34,5	10	1 00620 01 0	0,279	12	1	0A3S2 13 0
40 / 30	69,0	39,5	29,5	10	1 00620 01 0	0,279	12	1	0A3S2 12 0
35 / 40	74,0	34,5	39,5	10	1 00620 01 0	0,294	12	1	0A3S2 28 0
40 / 35	74,0	39,5	34,5	10	1 00620 01 0	0,294	12	1	0A3S2 83 0
30 / 50	79,0	29,5	49,5	10	1 00620 01 0	0,318	6	1	0A3S2 17 0
35 / 45	79,0	34,5	44,5	10	1 00620 01 0	0,309	6	1	0A3S2 19 0
40 / 40	79,0	39,5	39,5	10	1 00620 01 0	0,309	6	1	0A3S2 18 0
45 / 35	79,0	44,5	34,5	10	1 00620 01 0	0,309	6	1	0A3S2 85 0
40 / 45	84,0	39,5	44,5	10	1 00620 01 0	0,324	6	1	0A3S2 30 0
45 / 40	84,0	44,5	39,5	10	1 00620 01 0	0,324	6	1	0A3S2 84 0
50 / 35	84,0	49,5	34,5	10	1 00620 01 0	0,324	6	1	0A3S2 94 0
43 / 43	85,0	42,5	42,5	10	1 00620 01 0	0,326	6	1	0A3S2 46 0
30 / 60	89,0	29,5	59,5	10	1 00620 01 0	0,353	6	1	0A3S2 20 0
40 / 50	89,0	39,5	49,5	10	1 00620 01 0	0,350	6	1	0A3S2 21 0
45 / 45	89,0	44,5	44,5	10	1 00620 01 0	0,347	6	1	0A3S2 29 0
40 / 55	94,0	39,5	54,5	10	1 00620 01 0	0,355	6	1	0A3S2 42 0
45 / 50	94,0	44,5	49,5	10	1 00620 01 0	0,367	6	1	0A3S2 39 0
40 / 60	99,0	39,5	59,5	10	1 00620 01 0	0,367	6	1	0A3S2 25 0
45 / 55	99,0	44,5	54,5	10	1 00620 01 0	0,370	6	1	0A3S2 43 0
50 / 50	99,0	49,5	49,5	10	1 00620 01 0	0,370	6	1	0A3S2 23 0
45 / 60	104,0	44,5	59,5	10	1 00620 01 0	0,398	6	1	0A3S2 54 0
55 / 50	104,0	54,5	49,5	10	1 00620 01 0	0,384	6	1	0A3S2 64 0
30 / 80	109,0	29,5	79,5	10	1 00620 01 0	0,400	6	1	0A3S2 37 0
40 / 70	109,0	39,5	69,5	10	1 00620 01 0	0,400	6	1	0A3S2 35 0
50 / 60	109,0	49,5	59,5	10	1 00620 01 0	0,400	6	1	0A3S2 36 0
55 / 55	109,0	54,5	54,5	10	1 00620 01 0	0,400	6	1	0A3S2 70 0
60 / 50	109,0	59,5	49,5	10	1 00620 01 0	0,410	6	1	0A3S2 89 0
55 / 60	114,0	54,5	59,5	10	1 00620 01 0	0,415	6	1	0A3S2 71 0
55 / 65	119,0	54,5	64,5	10	1 00620 01 0	0,430	6	1	0A3S2 72 0
60 / 60	119,0	59,5	59,5	10	1 00620 01 0	0,430	6	1	0A3S2 40 0
65 / 55	119,0	64,5	54,5	10	1 00620 01 0	0,430	6	1	0A3S2 86 0



- Double cylinders with adjustable thumb turn shaft
- to be combined with inside rose item 1.06458.20
- ON REQUEST:
- Knobs:
- item. 1.06353.00
- item. 1.06354.00

30 / 30	59,0	29,5	29,5	10	1 00620 01 0	0,284	6	1	0A3S7 07 0
35 / 30	64,0	34,5	29,5	10	1 00620 01 0	0,295	6	1	0A3S7 81 0
40 / 30	69,0	39,5	29,5	10	1 00620 01 0	0,312	6	1	0A3S7 12 0
45 / 30	74,0	44,5	29,5	10	1 00620 01 0	0,323	6	1	0A3S7 91 0
50 / 30	79,0	49,5	29,5	10	1 00620 01 0	0,329	6	1	0A3S7 90 0
55 / 30	84,0	59,5	29,5	10	1 00620 01 0	0,340	6	1	0A3S7 92 0
60 / 30	89,0	59,5	29,5	10	1 00620 01 0	0,359	6	1	0A3S7 87 0
70 / 30	99,0	69,5	29,5	10	1 00620 01 0	0,370	6	1	0A3S7 88 0


Technical features:

- CISA patented System: key with mobile element
- Security Card: keys can only be duplicated by CISA or CISA Solution Partners
- Brass body with segment pack extended through the entire length of the cylinder
- Brass plugs
- Pins in hardened steel
- Drivers in hardened steel cylindrical and mushroom-like for antipicking
- phosphor bronze and steel springs
- self-lubricating sintered steel projecting DIN cam
- Flat rereversible keys:
 - in nickel silver alloy
 - compatible with protective roses
 - numbered on key head

Supplied as standard:

- 3 Keys
- Security Card
- Fixing screws

On request:

- Cylinders with ALI keys (car. CL)

Finishes:

- STANDARD:
 - nickel-plated sand brass (fin. 12)
- A RICHIESTA:
 - polished brass (fin. 66)

Norms:

- Compliant with EN 1303 norm:
 - Durability: grade 6 (100.000 cicli)
 - Security: grade 4

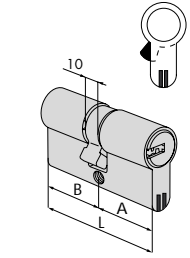
Certifications:

- ICIM EN 1303:98 1600014
- SKG**

Patents:

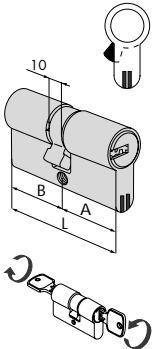
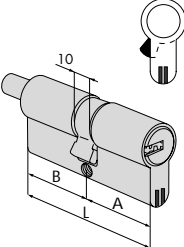
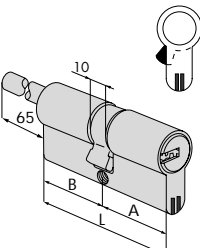
- PCT/EP99/07611
- Utility model B02003U000006 (Snap Resistant Cylinders)

Type	Description	Comm. dim	Key item				Unitweight	Pieces	ITEM			
			L	A	B	Pins			Type	Dim.	Hand	Fin.



• Double cylinder

30 / 30	59,0	29,5	29,5	12	1 00770 00 0	0,250	1	1	OH350 07 0 12
30 / 35	64,0	29,5	34,5	12	1 00770 00 0	0,260	1	1	OH350 26 0 12
33 / 33	65,0	32,5	32,5	12	1 00770 00 0	0,260	1	1	OH350 10 0 12
40 / 30	69,0	39,5	29,5	12	1 00770 00 0	0,275	1	1	OH350 12 0 12
35 / 35	69,0	34,5	34,5	12	1 00770 00 0	0,270	1	1	OH350 13 0 12
30 / 45	74,0	29,5	44,5	12	1 00770 00 0	0,290	1	1	OH350 27 0 12
35 / 45	74,0	34,5	39,5	12	1 00770 00 0	0,285	1	1	OH350 28 0 12
30 / 50	79,0	29,5	49,5	12	1 00770 00 0	0,305	1	1	OH350 17 0 12
35 / 45	79,0	34,5	44,5	12	1 00770 00 0	0,300	1	1	OH350 19 0 12
40 / 40	79,0	39,5	39,5	12	1 00770 00 0	0,300	1	1	OH350 18 0 12
30 / 55	84,0	29,5	54,5	12	1 00770 00 0	0,318	1	1	OH350 33 0 12
35 / 50	84,0	34,5	49,5	12	1 00770 00 0	0,315	1	1	OH350 31 0 12
40 / 45	84,0	39,5	44,5	12	1 00770 00 0	0,315	1	1	OH350 30 0 12
30 / 60	89,0	29,5	59,5	12	1 00770 00 0	0,335	1	1	OH350 20 0 12
35 / 55	89,0	34,5	54,5	12	1 00770 00 0	0,330	1	1	OH350 32 0 12
40 / 50	89,0	39,5	49,5	12	1 00770 00 0	0,330	1	1	OH350 21 0 12
45 / 45	89,0	44,5	44,5	12	1 00770 00 0	0,330	1	1	OH350 29 0 12
40 / 55	94,0	39,5	54,5	12	1 00770 00 0	0,345	1	1	OH350 42 0 12
45 / 50	94,0	44,5	49,5	12	1 00770 00 0	0,345	1	1	OH350 39 0 12
30 / 70	99,0	29,5	69,5	12	1 00770 00 0	0,380	1	1	OH350 24 0 12
35 / 65	99,0	34,5	64,5	12	1 00770 00 0	0,365	1	1	OH350 22 0 12
40 / 60	99,0	39,5	59,5	12	1 00770 00 0	0,365	1	1	OH350 25 0 12
45 / 55	99,0	44,5	54,5	12	1 00770 00 0	0,365	1	1	OH350 43 0 12
50 / 50	99,0	49,5	49,5	12	1 00770 00 0	0,365	1	1	OH350 23 0 12
30 / 80	109,0	29,5	79,5	12	1 00770 00 0	0,395	1	1	OH350 37 0 12
40 / 70	109,0	39,5	69,5	12	1 00770 00 0	0,390	1	1	OH350 35 0 12
50 / 60	109,0	49,5	59,5	12	1 00770 00 0	0,390	1	1	OH350 36 0 12
55 / 55	109,0	54,5	54,5	12	1 00770 00 0	0,390	1	1	OH350 70 0 12
40 / 80	119,0	39,5	79,5	12	1 00770 00 0	0,420	1	1	OH350 60 0 12

Type	Description	Comm. dim	L A B PINS				Key item	Kg	Pieces	ITEM			
			L	A	B	PINS				Type	Dim.	Hand	Fin.
 <ul style="list-style-type: none"> • Clutch systems double cylinders 		30 / 30	59,0	29,5	29,5	12	1 00770 00 0	0,250	1	1	OH3S1	07 0 12	
		40 / 30	69,0	39,5	29,5	12	1 00770 00 0	0,275	1	1	OH3S1	12 0 12	
		35 / 35	69,0	34,5	34,5	12	1 00770 00 0	0,270	1	1	OH3S1	13 0 12	
		30 / 50	79,0	29,5	49,5	12	1 00770 00 0	0,305	1	1	OH3S1	17 0 12	
		35 / 45	79,0	34,5	44,5	12	1 00770 00 0	0,300	1	1	OH3S1	19 0 12	
		40 / 40	79,0	39,5	39,5	12	1 00770 00 0	0,300	1	1	OH3S1	18 0 12	
		45 / 45	89,0	44,5	44,5	12	1 00770 00 0	0,330	1	1	OH3S1	29 0 12	
		40 / 50	89,0	39,5	49,5	12	1 00770 00 0	0,330	1	1	OH3S1	21 0 12	
		50 / 50	99,0	49,5	49,5	12	1 00770 00 0	0,365	1	1	OH3S1	23 0 12	
		40 / 60	99,0	39,5	59,5	12	1 00770 00 0	0,365	1	1	OH3S1	25 0 12	
	50 / 60	109,0	49,5	59,5	12	1 00770 00 0	0,390	1	1	OH3S1	36 0 12		
 <ul style="list-style-type: none"> • Double cylinders with thumb turn shaft • ON REQUEST KNOBS: -item 1.06353.00 -item 1.06354.00 		30 / 30	59,0	29,5	29,5	12	1 00770 00 0	0,265	1	1	OH3S2	07 0 12	
		30 / 40	69,0	29,5	39,5	12	1 00770 00 0	0,288	1	1	OH3S2	82 0 12	
		33 / 33	65,0	32,5	32,5	12	1 00770 00 0	0,275	1	1	OH3S2	10 0 12	
		30 / 35	64,0	29,5	34,5	12	1 00770 00 0	0,275	1	1	OH3S2	26 0 12	
		35 / 30	64,0	34,5	29,5	12	1 00770 00 0	0,275	1	1	OH3S2	81 0 12	
		40 / 30	69,0	39,5	29,5	12	1 00770 00 0	0,288	1	1	OH3S2	12 0 12	
		35 / 35	69,0	34,5	34,5	12	1 00770 00 0	0,285	1	1	OH3S2	13 0 12	
		35 / 40	74,0	34,5	39,5	12	1 00770 00 0	0,295	1	1	OH3S2	28 0 12	
		40 / 35	74,0	39,5	34,5	12	1 00770 00 0	0,295	1	1	OH3S2	83 0 12	
		30 / 50	79,0	29,5	49,5	12	1 00770 00 0	0,315	1	1	OH3S2	17 0 12	
		35 / 45	79,0	34,5	44,5	12	1 00770 00 0	0,310	1	1	OH3S2	19 0 12	
		40 / 40	79,0	39,5	39,5	12	1 00770 00 0	0,310	1	1	OH3S2	18 0 12	
		45 / 35	79,0	44,5	34,5	12	1 00770 00 0	0,310	1	1	OH3S2	85 0 12	
		40 / 45	84,0	39,5	44,5	12	1 00770 00 0	0,325	1	1	OH3S2	30 0 12	
		45 / 40	84,0	44,5	39,5	12	1 00770 00 0	0,325	1	1	OH3S2	84 0 12	
		50 / 35	84,0	49,5	34,5	12	1 00770 00 0	0,325	1	1	OH3S2	94 0 12	
		30 / 60	89,0	29,5	59,5	12	1 00770 00 0	0,345	1	1	OH3S2	20 0 12	
		40 / 50	89,0	39,5	49,5	12	1 00770 00 0	0,340	1	1	OH3S2	21 0 12	
		45 / 45	89,0	44,5	44,5	12	1 00770 00 0	0,340	1	1	OH3S2	29 0 12	
		40 / 55	94,0	39,5	54,5	12	1 00770 00 0	0,345	1	1	OH3S2	42 0 12	
	45 / 55	99,0	44,5	54,5	12	1 00770 00 0	0,360	1	1	OH3S2	43 0 12		
	50 / 50	99,0	49,5	49,5	12	1 00770 00 0	0,360	1	1	OH3S2	23 0 12		
	55 / 50	104,0	54,5	49,5	12	1 00770 00 0	0,370	1	1	OH3S2	64 0 12		
	55 / 60	114,0	54,5	59,5	12	1 00770 00 0	0,390	1	1	OH3S2	71 0 12		
	60 / 60	119,0	59,5	59,5	12	1 00770 00 0	0,405	1	1	OH3S2	40 0 12		
	65 / 55	119,0	64,5	54,5	12	1 00770 00 0	0,405	1	1	OH3S2	86 0 12		
	60 / 50	109,0	59,5	49,5	12	1 00770 00 0	0,380	1	1	OH3S2	89 0 12		
 <ul style="list-style-type: none"> • Double cylinders with adjustable thumb turn shaft • to be combined with inside rose item 1.06458.20 • ON REQUEST: Knobs - item. 1.06353.00 - item. 1.06354.00 		30 / 30	59,0	29,5	29,5	12	1 00770 00 0	0,265	1	1	OH3S7	07 0 12	
		35 / 30	64,0	34,5	29,5	12	1 00770 00 0	0,275	1	1	OH3S7	81 0 12	
		40 / 30	69,0	39,5	29,5	12	1 00770 00 0	0,288	1	1	OH3S7	12 0 12	
		45 / 30	74,0	44,5	29,5	12	1 00770 00 0	0,295	1	1	OH3S7	91 0 12	
		50 / 30	79,0	49,5	29,5	12	1 00770 00 0	0,310	1	1	OH3S7	90 0 12	
		60 / 30	89,0	59,5	29,5	12	1 00770 00 0	0,360	1	1	OH3S7	87 0 12	
		70 / 30	99,0	69,5	29,5	12	1 00770 00 0	0,370	1	1	OH3S7	88 0 12	



Technical features:

- Steel case
- Steel faceplate
- Single-throw laminated steel armour-plated dead-bolt
- 13 mm driving gears stroke for additional locking points
- Square spindle for operating the dead-bolt and the driving gears

Finishes:

- Zinc-plated case
- Zinc-plated faceplate
- Zinc-plated dead-bolt

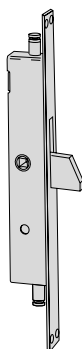
Hand:

0 = Non-handed

Standards :

- Dead-bolt resistance is classified grade 3 in compliance to CEN prEN 12209:2002 standard, section Security 5.8.2.1 e 5.8.6
- Resistance to side load 1.000 kg
- Resistance to upward force 400 kg

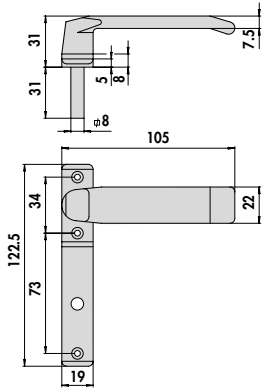
Type	Description	Throws	Centre Distance	Faceplate	Backset	Unit weight Kg	Pieces	ITEM				
								Type	Dim.	Hand	Fin.	Pers. Spec.



- Pin key cylinder complete with 2 pieces item 1.00210.00.0 (KA 1 version, key included)
- CAN BE USED WITH THE FOLLOWING ACCESSORIES:
 - Handle item 1.06003.01.0
 - Handle with edge cover item 1.06004.01.0
 - Striker item 1.06232.21.0
 - Adjustable striker item 1.06232.22.0
 - Extended bolts item 1.07088.03.0

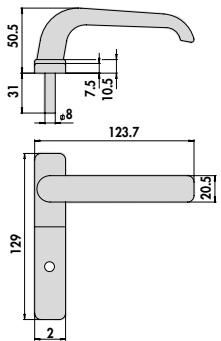
1	59	25	19,7	0,600	24	1 46307 19 0
1	59	25	25,7	0,620	24	1 46307 25 0

Type	Description	Unit weight Pieces	ITEM				
			Type	Dim.	Hand	Fin.	Pers.



- Lower handle, in 20 % fiber glass reinforced black nylon, for use with locks series 46305
- 3 fixing screws

0,068 12 **1 06003 01 0**



- Handle and edge cover in 20 % fiber glass reinforced black nylon, for use with locks series 46305
- 3 fixing screws

0,094 12 **1 06004 01 0**



Technical features:

- Non-handed latch bolt
- Case height 82 mm
- Zinc plated case
- Zinc plated faceplate
- Latch-bolt with incorporated (brass) dead-bolt

Supplied as standard:

- Cylinder fixing screw

On request:

- Specific striking plates (see vademecum)

Hand:

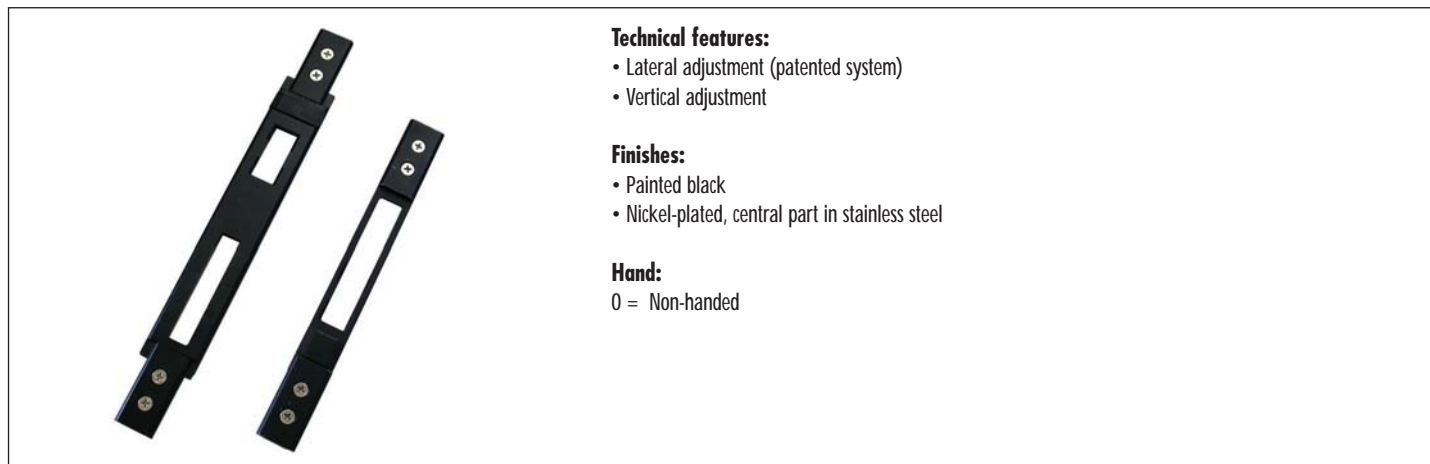
0 = Non-handed

Cilindro da ordinare a parte

Cylinder to be ordered separately



Type	Description	Throws	Centre Distance	Faceplate	Backset	Unit weight Kg	Pieces	ITEM					
								Type	Dim.	Hand	Fin.	Pers.	Spec.
	<ul style="list-style-type: none"> • Non-handed latch-bolt • Latch-bolt with incorporated dead-bolt 	1	48	16	58	0,500	12	1 44140 60 0					
		1	48	20	58	0,510	12	1 44141 60 0					
	<ul style="list-style-type: none"> • Non-handed latch-bolt • Latch-bolt with incorporated dead-bolt • Interchangeable with series 14010 	1	48	16	58	0,500	12	1 44145 60 0					
		1	48	20	58	0,515	12	1 44146 60 0					



Technical features:

- Lateral adjustment (patented system)
- Vertical adjustment

Finishes:

- Painted black
- Nickel-plated, central part in stainless steel

Hand:

0 = Non-handed

Type	Description	For series/item	Unit weight Pieces	ITEM					
				Type	Dim.	Hand	Fin.	Pers. Spec.	
	<ul style="list-style-type: none"> • For roller locks use nylon insert item 1.06141.71.0 • PROFILES: R50TT, NEW TEC 52 SOR TT, etc. with outward opening • For cylinder mortice locks with swing bolt 	16205, 16215, 16225, 16425, 16525, 16625, 16725, 46200, 46210, 46215, 46220, 46225, 46230, 46250, 46420, 46425, 46435, 46445, 46450, 46520, 46525, 46650, 46725, 46750	0,230	12	1 06463 21 0				
	<ul style="list-style-type: none"> • For roller locks use nylon insert item 1.06141.71.0 • PROFILES: R50TT, NEW TEC 52 SOR TT, etc. with outward opening • For cylinder gear mortice locks 	18128, 18225, 18229, 18425, 18525, 48128, 48153, 48225, 48229, 48250, 48254, 48425, 48450, 48525, 48550	0,230	12	1 06463 31 0				
	<ul style="list-style-type: none"> • For roller locks use nylon insert item 1.06141.71.0 • PROFILES: R50TT, NEW TEC 52 SOR TT, etc. with outward opening • For mid-rail type locks, dead-bolt only locks and additional locking points with swing bolts. 	1 06443 00 0, 1 06443 05 0, 1 06453 05 0, 17352, 17357, 46200, 46210, 46220, 46420, 46520, 48123, 48220, 48224, 48420, 48520, 57312, 57317, 57320, 57325, 57330, 57335, 57352, 57357, 57360, 57365, 57370, 57375	1,170	12	31 06465 21 0				
	<ul style="list-style-type: none"> • PROFILES: R50TT, NEW TEC 52 SOR TT, etc. with outward opening • For cylinder gear mortice locks and additional locking points with swing bolts 	1 06443 20 0, 1 06443 25 0, 1 06444 15 0, 1 06444 20 0, 18425, 18525, 48420, 48425, 48450, 48520, 48525, 48550	0,140	12	1 06465 31 0				

Type	Description	for series/item	Unit weight Pieces	ITEM						
				Type	Dim.	Hand	Fin.	Pers.	Spec.	
	<p>REPLACES ITEM 1.06463.08.0</p> <ul style="list-style-type: none"> • Central part in lacquered steel • For roller locks use nylon insert item 1.06141.71.0 • For European profile cylinders • For cylinder mortice locks with swing bolt 	16205, 16215, 16225, 16425, 16525, 16625, 16725, 46200, 46210, 46215, 46220, 46225, 46230, 46250, 46420, 46425, 46435, 46445, 46450, 46520, 46525, 46650, 46725, 46750	0,145	12	1 06463 22 0					
	<p>IDEM</p> <ul style="list-style-type: none"> • Central part in stainless steel 		0,145	12	1 06463 23 0					
	<p>REPLACES ITEM 1.06463.18.0</p> <ul style="list-style-type: none"> • Central part in lacquered steel • For roller locks use nylon insert item 1.06141.71.0 • For European profile cylinders • For cylinder gear mortice locks 	18128, 18225, 18229, 18425, 18525, 48128, 48153, 48225, 48229, 48250, 48254, 48425, 48450, 48525, 48550	0,145	12	1 06463 32 0					
	<p>IDEM</p> <ul style="list-style-type: none"> • Central part in stainless steel 		0,145	12	1 06463 33 0					
	<p>REPLACES ITEM 1.06465.02.0</p> <ul style="list-style-type: none"> • Central part in lacquered steel • For roller locks use nylon insert item 1.06141.71.0 • For European profile cylinders • For mid-rail type locks, dead-bolt only operated locks and additional locking points with swing bolts. 	1 06443 00 0, 1 06443 05 0, 1 06453 05 0, 17352, 17357, 46200, 46210, 46220, 46420, 46520, 48123, 48220, 48224, 48420, 48520, 57312, 57317, 57320, 57325, 57330, 57335, 57352, 57357, 57360, 57365, 57370, 57375	0,130	12	1 06465 22 0					
	<p>IDEM</p> <ul style="list-style-type: none"> • Central part in stainless steel 		0,130	12	1 06465 23 0					
	<p>REPLACES ITEM 1.06465.12.0</p> <ul style="list-style-type: none"> • Central part in lacquered steel • For European profile cylinders • For cylinder gear mortice locks and additional locking points with swing bolts 	1 06443 20 0, 1 06443 25 0, 1 06444 15 0, 1 06444 20 0, 18425, 18525, 48420, 48425, 48450, 48520, 48525, 48550	0,110	12	1 06465 32 0					
	<p>IDEM</p> <ul style="list-style-type: none"> • Central part in stainless steel 		0,110	12	1 06465 33 0					



Technical features:

- Black painted steel case and cover (semi-matt on series 5C100 and pre-zinc plated on series 5C600).
- Removable faceplate and striker (brass on series 5C100 and brass plated on series 5C600).
- Reversible brass latch (flat on series 5C100 and conical on series 5C600).
- 2 to 13 mm adjustable brass roller
- Double-throw dead-bolt (brass plated on series 5C100 and steel on series 5C600); single-throw dead-bolt for bathroom doors.

Hand:

0 = Non-handed

Cilindro da ordinare a parte



Cylinder to be ordered separately

Supplied as standard:

- Striker
- Fixing screws for lock, striker and cylinder

Type	Description	Throws	Centre Distance	Faceplate	Backset	Unit weight Kg	Pieces	ITEM				
								Type	Dim.	Hand	Fin.	Pers. Spec.
	<ul style="list-style-type: none"> • Dead-bolt and latch • SUPPLIED AS STANDARD: - Striking plate item 1.06102.13.0 	2	85	22	35	0,680	1	1	5C110	35	0	
		2	85	22	40	0,706	1	1	5C110	40	0	
		2	85	22	45	0,734	1	1	5C110	45	0	
		2	85	22	50	0,760	1	1	5C110	50	0	
		2	85	22	60	0,800	1	1	5C110	60	0	
		2	85	22	70	0,850	1	1	5C110	70	0	
	<ul style="list-style-type: none"> • Dead-bolt and latch • SUPPLIED AS STANDARD: - Striking plate item 1.06279.11.0 	2	85	22	35	0,704	1	1	5C130	35	0	
		2	85	22	40	0,730	1	1	5C130	30	0	
		2	85	22	45	0,745	1	1	5C130	45	0	
		2	85	22	50	0,770	1	1	5C130	50	0	
		2	85	22	60	0,846	1	1	5C130	60	0	
		2	85	22	70	0,894	1	1	5C130	70	0	
	<ul style="list-style-type: none"> • Roller dead-bolt • SUPPLIED AS STANDARD: - Striking plate item 1.06149.00.0 	2	-	22	35	0,630	1	1	5C120	35	0	
		2	-	22	40	0,680	1	1	5C120	40	0	
		2	-	22	45	0,700	1	1	5C120	45	0	
		2	-	22	50	0,740	1	1	5C120	50	0	
		2	-	22	60	0,750	1	1	5C120	60	0	
		2	-	22	70	0,800	1	1	5C120	70	0	
	<ul style="list-style-type: none"> • Roller dead-bolt • SUPPLIED AS STANDARD: - Striking plate item 06100.15.0 	2	-	22	35	0,630	1	1	5C140	35	0	
		2	-	22	40	0,680	1	1	5C140	30	0	
		2	-	22	45	0,700	1	1	5C140	45	0	
		2	-	22	50	0,740	1	1	5C140	50	0	
		2	-	22	60	0,750	1	1	5C140	60	0	
		2	-	22	70	0,800	1	1	5C140	70	0	
	<ul style="list-style-type: none"> • For bathroom doors • Dead-bolt and latch • SUPPLIED AS STANDARD: - Striking plate item 1.06102.13.0 	1	85	22	35	0,642	1	1	5C150	35	0	
		1	85	22	40	0,669	1	1	5C150	40	0	
		1	85	22	45	0,699	1	1	5C150	45	0	
		1	85	22	50	0,742	1	1	5C150	50	0	
		1	85	22	60	0,795	1	1	5C150	60	0	
		1	85	22	70	0,833	1	1	5C150	70	0	
	<ul style="list-style-type: none"> • For bathroom doors • Dead-bolt and latch • SUPPLIED AS STANDARD: - Striking plate item 1.06213.05.0 	1	85	22	35	0,640	1	1	5C170	35	0	
		1	85	22	40	0,738	1	1	5C170	30	0	
		1	85	22	45	0,730	1	1	5C170	45	0	
		1	85	22	50	0,767	1	1	5C170	50	0	
		1	85	22	60	0,826	1	1	5C170	60	0	
		1	85	22	70	0,868	1	1	5C170	70	0	

Type	Description	Throws	Centre Distance	Faceplate	Backset	Kg	Pieces	ITEM						
								Type	Dim.	Hand	Fin.	Pers.	Spec.	
	• Dead-bolt and latch • SUPPLIED AS STANDARD: - Striking plate item 1.06102.10.0	2	85	22	35	0,630	1	1	5C611	35	0			
		2	85	22	40	0,660	1	1	5C611	40	0			
		2	85	22	45	0,682	1	1	5C611	45	0			
		2	85	22	50	0,720	1	1	5C611	50	0			
		2	85	22	60	0,775	1	1	5C611	60	0			
		2	85	22	70	0,820	1	1	5C611	70	0			
	• Dead-bolt and latch • SUPPLIED AS STANDARD: - Striking plate item 1.06100.10.0	2	85	22	35	0,682	1	1	5C631	35	0			
		2	85	22	40	0,695	1	1	5C631	30	0			
		2	85	22	45	0,737	1	1	5C631	45	0			
		2	85	22	50	0,755	1	1	5C631	50	0			
		2	85	22	60	0,820	1	1	5C631	60	0			
		2	85	22	70	0,874	1	1	5C631	70	0			
	• Roller dead-bolt • SUPPLIED AS STANDARD: - Striking plate item 1.06102.10.0	2	-	22	35	0,613	1	1	5C621	35	0			
		2	-	22	40	0,670	1	1	5C621	40	0			
		2	-	22	45	0,670	1	1	5C621	45	0			
		2	-	22	50	0,700	1	1	5C621	50	0			
		2	-	22	60	0,730	1	1	5C621	60	0			
		2	-	22	70	0,850	1	1	5C621	70	0			
	• Roller dead-bolt • SUPPLIED AS STANDARD: - Striking plate item 1.06100.10.0	2	-	22	35	0,620	1	1	5C641	35	0			
		2	-	22	40	0,658	1	1	5C641	30	0			
		2	-	22	45	0,690	1	1	5C641	45	0			
		2	-	22	50	0,720	1	1	5C641	50	0			
		2	-	22	60	0,780	1	1	5C641	60	0			
		2	-	22	70	0,828	1	1	5C641	70	0			
	• For bathroom doors • Dead-bolt and latch • SUPPLIED AS STANDARD: - Striking plate item 1.06102.10.0	1	85	22	35	0,642	1	1	5C651	35	0			
		1	85	22	40	0,669	1	1	5C651	40	0			
		1	85	22	45	0,699	1	1	5C651	45	0			
		1	85	22	50	0,742	1	1	5C651	50	0			
		1	85	22	60	0,795	1	1	5C651	60	0			
		1	85	22	70	0,833	1	1	5C651	70	0			
	• For toilet doors • Dead-bolt and latch • SUPPLIED AS STANDARD: - Striking plate item 1.06100.10.0	1	85	22	35	0,640	1	1	5C671	35	0			
		1	85	22	40	0,738	1	1	5C671	30	0			
		1	85	22	45	0,730	1	1	5C671	45	0			
		1	85	22	50	0,767	1	1	5C671	50	0			
		1	85	22	60	0,826	1	1	5C671	60	0			
		1	85	22	70	0,868	1	1	5C671	70	0			

Available finishes series 5C100

- Polished lacquered brass (fin. 67)
- Polished chrome-plated brass (fin. 21)
- Satin-lacquered nickel plated brass (fin. 12)
- Stainless steel (fin. 20)

Available finishes series 5C600

- Satin-lacquered brass-plated steel (fin. B3)
- Nickel-plated steel (fin. 12)
- Chrome-plated steel (fin. 18)
- Bronze plated steel (fin. 47)
- Matt chrome-plated steel (fig. B1)

Type	Description	For series/item	Unit weight Pieces	ITEM				
				Type	Dim.	Hand	Fin.	Pers.
	• Brass plated steel flat striker with round corners	5C641, 5C631 5C671	0,087 25	1	06100	10	0	
	• Long lipped, brass plated steel striker with round corners	5C641, 5C631 5C671	0,056 25	1	06101	10	0	
	• Long lipped, brass plated steel striker	5C621, 5C611 5C651	0,058 25	1	06102	10	0	
	• Long lipped, brass striker	5C110, 5C650	0,057 25	1	06102	13	0	
	• Long lipped, brass striker	5C140	0,058 25	1	06149	00	0	
	• Brass plated striker with round corners	5C140	0,087 25	1	06100	15	0	
	• Brass plated steel striker with round corners	5C631, 5C621, 5C641, 5C651, 5C671	0,087 25	1	06105	10	0	
	• Brass plated steel square striker	5C611, 5C621, 5C651	0,055 25	1	06108	10	0	
	• Brass plated steel striker	5C621	0,074 25	1	06206	00	0	

Type	Description	For series/item	Kg Unit weight	Pieces	ITEM				
					Type	Dim.	Hand	Fin.	Pers.
	<ul style="list-style-type: none"> • Square brass striker 	5C110, 5C650	0,062	25	1	06216	00	0	
	<ul style="list-style-type: none"> • Long lipped brass striker 	5C130	0,055	25	1	06213	05	0	
	<ul style="list-style-type: none"> • Satin-lacquered brass striker 	5C130, 5C170	0,096	12	1	06279	13	0	
	<ul style="list-style-type: none"> • Protective rose for cylinder series RS3, ASTRAL (with long key CL) and ASIX, in polished golden finish carbonitrided steel. • Complete with: <ul style="list-style-type: none"> - Spacers 2 mm. (pcs. 16), 1 mm. (pcs. 2) - Outside cover plates 2 mm. (pcs. 2) - Screws M5 x 73 mm. - Inside escutcheon 	52000, 53000	0,500	1	1	06460	15	0	
	<ul style="list-style-type: none"> • Protective rose for cylinder series SP and TSP (with long key CL), in polished golden finish carbonitrided steel • Complete with: <ul style="list-style-type: none"> - Spacers 2 mm. (pcs. 16), 1 mm. (pcs. 2) - Outside cover plates 2 mm. (pcs. 2) - Screws M5 x 73 mm. - Inside escutcheon 	52000, 53000	0,500	1	1	06460	16	0	
	<ul style="list-style-type: none"> • Protective rose in polished brass carbonitrided steel • 2 screws (M6) • AVAILABLE FINISHES: <ul style="list-style-type: none"> - Anodized light bronze (fin. 64) - Anodized dark bronze (fin. 65) - Polished chrome (fin. 18) • L = 70 mm. (Dlm. 50/60) • L = 110 mm. (Dlm. 51/61) 	0A310, 0B310, 08310, 08710	0,310	1	1	06460	50	0	
	<ul style="list-style-type: none"> • AVAILABLE FINISHES: <ul style="list-style-type: none"> - Anodized light bronze (fin. 64) - Anodized dark bronze (fin. 65) - Polished chrome (fin. 18) 	0A310, 0B310, 08310, 08710	0,320	1	1	06460	51	0	
	<ul style="list-style-type: none"> • AVAILABLE FINISHES: <ul style="list-style-type: none"> - Polished chrome (fin. 18) 	08810, 08815	0,310	1	1	06460	60	0	
	<ul style="list-style-type: none"> • L = 70 mm. (Dlm. 50/60) • L = 110 mm. (Dlm. 51/61) 	08810, 08815	0,340	1	1	06460	61	0	
	<ul style="list-style-type: none"> • Carbonitrided steel rotor protection for roses series 06460 and 06461 	0A310, 0B310, 08310, 08510, 08710	0,009	50	1	06466	01	0	
		08810, 08815	0,009	50	1	06466	02	0	



Technical features:

- Satin lacquered brass faceplate and striker
- Semi-matt black lacquered steel case
- Reversible, nickel-plated latch
- Nickel-plated, cut-resistant bolt (if provided)
- Nickel-plated dead-bolt
- Can be fitted with: escutcheons, roses, handle plates and through screws

Supplied as standard:

- Striker
- Striker and cylinder fixing screws

On request:

- Satin lacquered chrome-plated finish (fin. 18)

Mano:

0 = ambidestra

1 = destra interna

2 = sinistra interna

Hand:

0 = Non-handed

1 = R.H. inwards

2 = L.H. inwards

Cilindro da ordinare a parte



Cylinder to be ordered separately

Type	Description	Throws	Centre Distance	Faceplate	Backset	Unit weight Kg	Pieces	ITEM				
								Type	Dim.	Hand	Fin.	Pers. Spec.
	FOR PANIC FUNCTION DOORS • Dead-bolt and dead-locking latch • SUPPLIED AS STANDARD: - Striking plate item 1.06106.01.0 • ON REQUEST: - Faceplate 18x240 (pers. AG) - Without antipicking bolt (suffix AF)	2	85	22	40	0,720	1	1	52810	40	1	
		2	85	22	40	0,720	1	1	52810	40	2	
		2	85	22	45	0,760	1	1	52810	45	0	
		2	85	22	50	0,780	1	1	52810	50	0	
		2	85	22	60	0,840	1	1	52810	60	0	
		2	85	22	70	0,920	1	1	52810	70	0	
	FOR PANIC FUNCTION DOORS • Dead-bolt and dead-locking latch • SUPPLIED AS STANDARD: - Striking plate item 1.06106.05.0 • ON REQUEST: - Faceplate 18x240 (spec. AG) - Without antipicking bolt (suffix AF)	2	85	22	40	0,720	1	1	52830	40	1	
		2	85	22	40	0,720	1	1	52830	40	2	
		2	85	22	45	0,760	1	1	52830	45	0	
		2	85	22	50	0,780	1	1	52830	50	0	
		2	85	22	60	0,840	1	1	52830	60	0	
		2	85	22	70	0,920	1	1	52830	70	0	
	FOR BATHROOM DOORS • Dead-bolt and latch • SUPPLIED AS STANDARD: - Striking plate item 1.06213.01.0	2	85	22	40	0,720	1	1	52158	40	0	
		2	85	22	45	0,760	1	1	52158	45	0	
		2	85	22	50	0,780	1	1	52158	50	0	
		2	85	22	60	0,840	1	1	52158	60	0	
		2	85	22	70	0,920	1	1	52158	70	0	
			FOR BATHROOM DOORS • Dead-bolt and latch • SUPPLIED AS STANDARD: - Striking plate item 1.06213.05.0	2	85	22	40	0,720	1	1	52178	40
2	85			22	45	0,760	1	1	52178	45	0	
2	85			22	50	0,780	1	1	52178	50	0	
2	85			22	60	0,840	1	1	52178	60	0	
2	85			22	70	0,920	1	1	52178	70	0	
	FOR PASSAGE DOORS • Dead-bolt and latch • SUPPLIED AS STANDARD: - Striking plate item 1.06213.01.0			2	85	22	40	0,720	1	1	52118	40
		2	85	22	45	0,760	1	1	52118	45	0	
		2	85	22	50	0,780	1	1	52118	50	0	
		2	85	22	60	0,840	1	1	52118	60	0	
		2	85	22	70	0,920	1	1	52118	70	0	
			FOR PASSAGE DOORS • Dead-bolt and latch • SUPPLIED AS STANDARD: - Striking plate item 1.06213.05.0	2	85	22	40	0,720	1	1	52138	40
2	85			22	45	0,760	1	1	52138	45	0	
2	85			22	50	0,780	1	1	52138	50	0	
2	85			22	60	0,840	1	1	52138	60	0	
2	85			22	70	0,920	1	1	52138	70	0	

Type	Description	Throws	Centre Distance	Faceplate	Backset	Unit weight Kg	Pieces	ITEM					UNIT PRICE (VAT EXCL.) Euro
								Type	Dim.	Hand	Fin.	Pers. Spec.	
	FOR PASSAGE DOORS • Latch only • SUPPLIED AS STANDARD : - Striking plate	-	85	22	40	0,720	1	1	52318	40	0		
		-	85	22	45	0,760	1	1	52318	45	0		
		-	85	22	50	0,780	1	1	52318	50	0		
		-	85	22	60	0,840	1	1	52318	60	0		
		-	85	22	70	0,920	1	1	52318	70	0		
	FOR PASSAGE DOORS • Latch only • SUPPLIED AS STANDARD : - Striking plate	-	85	22	40	0,720	1	1	52338	40	0		
		-	85	22	45	0,760	1	1	52338	45	0		
		-	85	22	50	0,780	1	1	52338	50	0		
		-	85	22	60	0,840	1	1	52338	60	0		
		-	85	22	70	0,920	1	1	52338	70	0		



Technical features:

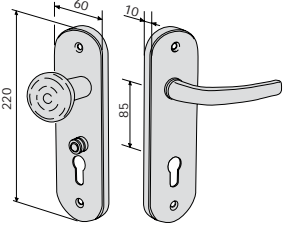
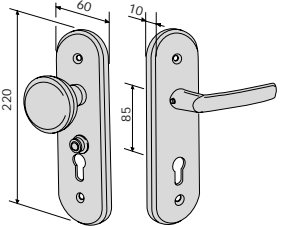
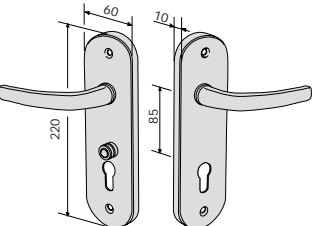
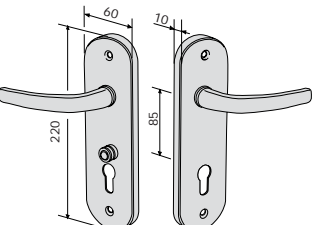
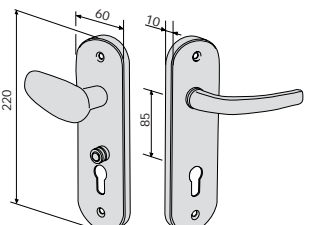
- Pair of brass or aluminium plates, for use with knobs or handles

Supplied as standard:

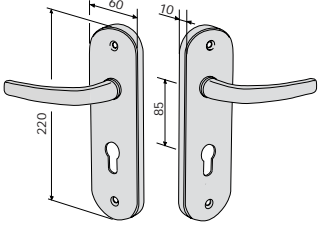
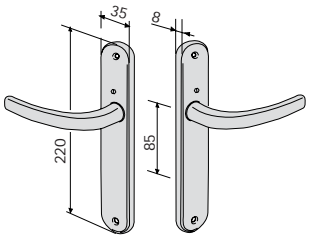
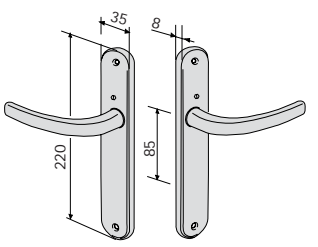
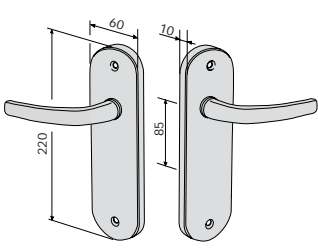
- Lock/unlock indicator (if provided)
- Square spindle
- Fixing screws

Hand:

0 = Non-handed

Type	Description	Unit weight Kg	Pieces	ITEM			
				Type	Dim.	Hand	Fin. Pers. Spec.
	<p>FOR ENTRANCE DOORS</p> <ul style="list-style-type: none"> • Pair of brass plates for knob/handle • Lock/unlock indicator • Finishes <ul style="list-style-type: none"> - Polished brass - Polished chrome-plated (fin. 21) 	0,720	1	1 30220 10 0			
		0,720	1	1 30220 10 0 21			
	<p>FOR ENTRANCE DOORS</p> <ul style="list-style-type: none"> • Pair of aluminium plates for knob/handle • Lock/unlock indicator • Finishes <ul style="list-style-type: none"> - Anodized silver (fin. A3) - Anodized gold (fin. A6) 	0,720	1	1 30210 10 0 A3			
		0,720	1	1 30210 10 0 A6			
	<p>FOR ENTRANCE DOORS</p> <ul style="list-style-type: none"> • Pair of brass plates for handle/handle • Lock/unlock indicator • Finishes <ul style="list-style-type: none"> - Polished brass - Polished chrome-plated (fin. 21) 	0,720	1	1 30200 11 0			
		0,720	1	1 30200 11 0 21			
	<p>FOR ENTRANCE DOORS</p> <ul style="list-style-type: none"> • Pair of aluminium plates for handle/handle • Lock/unlock indicator • Finishes <ul style="list-style-type: none"> - Anodized silver (fin. A3) - Anodized gold (fin. A6) 	0,720	1	1 30210 11 0 A3			
		0,720	1	1 30210 11 0 A6			
	<p>FOR ENTRANCE DOORS</p> <ul style="list-style-type: none"> • Pair of brass plates for offset knob/handle • Lock/unlock indicator • Finishes <ul style="list-style-type: none"> - Polished brass - Polished chrome-plated (fin. 21) 	0,720	1	1 30200 12 0			
		0,720	1	1 30200 12 0			

Type	Description	Kg Unit weight	Pieces	ITEM			
				Type	Dim.	Hand	Fin. Pers. Spec.
	<p>FOR ENTRANCE DOORS</p> <ul style="list-style-type: none"> • Pair of aluminum plates for offset knob/handle • Lock/unlock indicator • Finishes <ul style="list-style-type: none"> - Anodized silver (fin. A3) - Anodized gold (fin. A6) 	0,720	1	1 30210 12 0 A3			
		0,720	1	1 30210 12 0 A6			
	<p>FOR BATHROOM DOORS</p> <ul style="list-style-type: none"> • Pair of brass plates for handle/handle • Narrow plate • Finishes <ul style="list-style-type: none"> - Polished brass - Polished chrome-plated (fin 21) 	0,720	1	1 30220 20 0			
		0,720	1	1 30220 20 0 21			
	<p>FOR BATHROOM DOORS</p> <ul style="list-style-type: none"> • Pair of brass plates for handle/handle • Narrow plate • Finishes <ul style="list-style-type: none"> - Anodized silver (fin. A3) - Anodized gold (fin. A6) 	0,720	1	1 30210 20 0 A3			
		0,720	1	1 30210 20 0 A6			
	<p>FOR BATHROOM DOORS</p> <ul style="list-style-type: none"> • Pair of brass plates for handle/handle • Large plate • Finishes <ul style="list-style-type: none"> - Anodized silver (fin. A3) - Anodized gold (fin. A6) 	0,720	1	1 30210 21 0 A3			
		0,720	1	1 30210 21 0 A6			
	<p>FOR PASSAGE DOORS</p> <ul style="list-style-type: none"> • Pair of brass plates for handle/handle • Narrow plate • Finishes <ul style="list-style-type: none"> - Polished brass - Polished chrome-plated (fin 21) 	0,720	1	1 30220 30 0			
		0,720	1	1 30220 30 0 21			
	<p>FOR PASSAGE DOORS</p> <ul style="list-style-type: none"> • Pair of brass plates for handle/handle • Narrow plate • Finishes <ul style="list-style-type: none"> - Anodized silver (fin. A3) - Anodized gold (fin. A6) 	0,720	1	1 30210 30 0 A3			
		0,720	1	1 30210 30 0 A6			

Type	Description	Unit weight Kg	Pieces	ITEM			
				Type	Dim.	Hand	Fin. Pers. Spec.
	FOR PASSAGE DOORS	0,720	1	1 30210 31 0 A3			
	<ul style="list-style-type: none"> • Pair of brass plates for handle/handle • Large plate • Finishes <ul style="list-style-type: none"> - Anodized silver (fin. A3) - Anodized gold (fin. A6) 	0,720	1	1 30210 31 0 A6			
	FOR PASSAGE DOORS	0,720	1	1 30220 40 0			
	<ul style="list-style-type: none"> • Pair of brass plates for handle/handle • Narrow plate • Finishes <ul style="list-style-type: none"> - Polished brass - Polished chrome-plated (fin 21) 			1 30220 40 0 21			
	FOR PASSAGE DOORS	0,720	1	1 30210 40 0 A3			
	<ul style="list-style-type: none"> • Pair of brass plates for handle/handle • Narrow plate • Finishes <ul style="list-style-type: none"> - Anodized silver (fin. A3) - Anodized gold (fin. A6) 	0,720	1	1 30210 40 0 A6			
	FOR PASSAGE DOORS	0,720	1	1 30210 41 0 A3			
	<ul style="list-style-type: none"> • Pair of brass plates for handle/handle • Large plate • Finishes <ul style="list-style-type: none"> - Anodized silver (fin. A3) - Anodized gold (fin. A6) 	0,720	1	1 30210 41 0 A6			



NewEUROPA

Technical features:

- Aluminium case cover, painted black
- Chrome-plated aluminium alloy dead-locking latch

Supplied as standard:

- Strikers
- Fixing screws
- Installation and maintenance instruction sheet
- ICIM and CE Certification

On request:

- Hold-open device version (suffix FG)
- Fire resistant version with steel latch (suffix FR)

Finishes:

- Standard
- painted black

ON REQUEST:

- painted red (fin. 41)
- painted yellow (fin. 42)
- painted green (fin. 43)
- painted white (fin. 45)
- painted grey (fin. 97)

Hand:

0 = Non-handed

Standards:

- CE mark in compliance with the DIRECTIVE 89/106/CEE issued by ICIM
- Voluntary ICIM certification issued by third party as provided for in the same UNI EN 179 standard

Type	Description	Unit weight Pieces	ITEM				
			Type	Dim.	Hand	Fin.	Pers. Spec.
	<ul style="list-style-type: none"> • Lateral latch-bolt • SUPPLIED AS STANDARD: <ul style="list-style-type: none"> - Strikers item 1.07072.20.0 e 1.07072.21.0 • ON REQUEST: <ul style="list-style-type: none"> - Outside operation devices item 1.07077.28.0 and 1.07077.29.0 	2,500	1	1 59050 10 0			
	<ul style="list-style-type: none"> • MODULAR VERSION • Lateral latch-bolt which can be deactivated • SUPPLIED AS STANDARD: <ul style="list-style-type: none"> - Strikers item 1.07072.70.0 and 1.07072.71.0 • Can be used with: <ul style="list-style-type: none"> - Pair of top/bottom latch-bolts item 1.07063.60.0 - Pair of lateral latch-bolts item 1.07063.50.0 - Pair of top/lateral latch-bolts item 1.07063.65.1/2.0 - Pair of top/bottom dead-bolts item 1.07063.70.0 • ON REQUEST: <ul style="list-style-type: none"> - Outside operation device item 1.07077.28.0 	2,500	1	1 59060 10 0			
	<ul style="list-style-type: none"> • MODULAR VERSION • Can be used with: <ul style="list-style-type: none"> - Pair of top/bottom latch-bolts item 1.07063.60.0 - Pair of lateral latch-bolts item 1.07063.50.0 - Pair of top/lateral latch-bolts item 1.07063.65.1/2.0 - Pair of top/bottom dead-bolts item 1.07063.70.0 • ON REQUEST: <ul style="list-style-type: none"> - Outside operation device item 1.07077.28.0 	2,500	1	1 59065 10 0			



Technical features:

- Aluminium case cover, PVD treated
- PVD treated aluminium alloy dead-locking latch

Finishes:

- Satin lacquered stainless steel (fin. C2)

Hand:

0 = Non-handed

Supplied as standard:

- Strikers
- Fixing screws
- Installation and maintenance instruction sheet
- ICIM and CE Certification

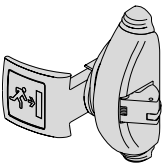
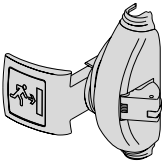
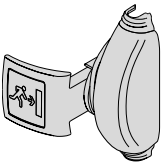
On request:

- Hold-open device version (suffix FG)
- Fire resistant version with steel latch (suffix FR)

Certificazioni:

- CE mark in compliance with the DIRECTIVE 89/106/CEE issued by ICIM
- Voluntary ICIM certification issued by third party as provided for in the same UNI EN 179 standard

NewEUROPAPVD

Type	Description	Unit weight Kg	Pieces	ITEM				
				Type	Dim.	Hand	Fin.	Pers. Spec.
	<ul style="list-style-type: none"> • Lateral latch-bolt • SUPPLIED AS STANDARD: <ul style="list-style-type: none"> - Strikers item 1.07072.70.0 e 1.07072.71.0 • ON REQUEST: <ul style="list-style-type: none"> - Outside operation devices item 1.07077.28.0.C2 and 1.07077.29.0.C2 	2,500	1	1 59050 10 0 C2				
	<ul style="list-style-type: none"> • MODULAR VERSION • Lateral latch-bolt which can be disactivated • SUPPLIED AS STANDARD: <ul style="list-style-type: none"> - Strikers item 1.07072.70.0 and 1.07072.71.0 • Can be used with: <ul style="list-style-type: none"> - Pair of top/bottom latch-bolts item 1.07063.60.0.C2 - Pair of lateral latch-bolts item 1.07063.50.0.C2 - Pair of top/lateral latch-bolts item 1.07063.65.1/2.C2 - Pair of top/bottom dead-bolts item 1.07063.70.0.C2 • ON REQUEST: <ul style="list-style-type: none"> - Outside operation device item 1.07077.28.0.C2 	2,500	1	1 59060 10 0 C2				
	<ul style="list-style-type: none"> • MODULAR VERSION • Can be used with: <ul style="list-style-type: none"> - Pair of top/bottom latch-bolts item 1.07063.60.0.C2 - Pair of lateral latch-bolts item 1.07063.50.0.C2 - Pair of top/lateral latch-bolts item 1.07063.65.1/2.C2 - Pair of top/bottom dead-bolts item 1.07063.70.0.C2 • ON REQUEST: <ul style="list-style-type: none"> - Outside operation device item 1.07077.28.0.C2 	2,500	1	1 59065 10 0 C2				



Technical features:

- Steel plates

Finishes:

- Black painted
- PVD treated satin lacquered stainless steel (fin. C2)

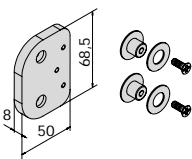
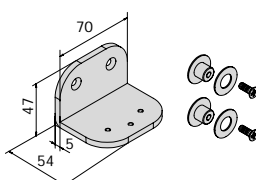
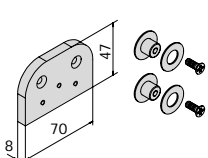
Hand:

0 = Non-handed

Supplied as standard:

- Fixing screws
- Installation and maintenance instruction sheet

Type	Description	For series/item	Unit weight Pieces	ITEM				
				Type	Dim.	Hand	Fin.	Spec.
	<ul style="list-style-type: none"> • Kit Glass for New Europa panic exit devices • Black painted 	59000, 59010, 59015	- 1	1 07090 01 0				
	<ul style="list-style-type: none"> • Kit Glass for New Europa panic exit devices • PVD treated satin lacquered stainless steel 		- 1	1 07090 01 0 C2				
	<ul style="list-style-type: none"> • Kit Glass for CISA Prestige panic exit devices • Black painted 	59301, 59311, 59316, 59351, 59361, 59366	- 1	1 07090 05 0				
	<ul style="list-style-type: none"> • Kit Glass for CISA Prestige panic exit devices • PVD treated satin lacquered stainless steel 		- 1	1 07090 05 0 C2				
	<ul style="list-style-type: none"> • Kit Glass for additional locking points • For New Europa and CISA Prestige panic exit devices • Black painted 	1.07063.20.0, 1.07063.21.0, 1.07063.30.0, 1.07063.31.0, 1.07063.35.1/2,	- 1	1 07090 10 0				
	<ul style="list-style-type: none"> • Kit Glass for additional locking points • For New Europa and CISA Prestige panic exit devices • PVD treated satin lacquered stainless steel 	1.07063.36.0, 1.07063.40.0, 1.07063.41.0, 1.07063.50.0, 1.07063.60.0, 1.07063.65.1/2, 1.07063.70.0	- 1	1 07090 10 0 C2				

Type	Description	For series/item	Unit weight		ITEM			
			Kg	Pieces				
			Type	Dim.	Hand	Fin.	Pers.	Spec.
	<ul style="list-style-type: none"> • Kit Glass for lateral striker • For New Europa and CISA Prestige panic exit devices • Black painted 	59000, 59010, 59301, 59311, 59351, 59361, 1.07063.20.0, 1.07063.21.0,1.07063.50.0	-	1	1 07091 01 0			
	<ul style="list-style-type: none"> • Kit Glass for lateral striker • For New Europa and CISA Prestige panic exit devices • PVD treated satin lacquered stainless steel 		-	1	1 07091 01 0 C2			
	<ul style="list-style-type: none"> • Kit Glass for upper latch-bolt striker • For additional locking points for New Europa and CISA Prestige panic exit devices • Black painted 	1.07063.30.0, 1.07063.31.0, 1.07063.35.1/2, 1.07063.36.1/2, 1.07063.60.0, 1.07063.65.1/2,	-	1	1 07091 02 0			
	<ul style="list-style-type: none"> • Kit Glass for upper latch-bolt striker • For additional locking points for New Europa and CISA Prestige panic exit devices • PVD treated satin lacquered stainless steel 		-	1	1 07091 02 0 C2			
	<ul style="list-style-type: none"> • Kit Glass for upper dead-bolt striker • For additional locking points for New Europa and CISA Prestige panic exit devices • Black painted 	1.07063.40.0, 1.07063.70.0	-	1	1 07091 03 0			
	<ul style="list-style-type: none"> • Kit Glass for upper dead-bolt striker • For additional locking points for New Europa and CISA Prestige panic exit devices • PVD treated satin lacquered stainless steel 		-	1	1 07091 03 0 C2			

Type	Description	 Unit weight Pieces		ITEM				
		Type	Dim.	Hand	Fin.	Pers.	Spec.	
 	<ul style="list-style-type: none"> Closing selector for double doors with door closer Chrome-plated steel CE mark in compliance with the directive 89/106/CEE issued by ICIM 	0,702	2	1 07084 10 0				
	<ul style="list-style-type: none"> Closing selector for double doors with door closer Stainless steel CE mark in compliance with the directive 89/106/CEE issued by ICIM Voluntary ICIM certification issued by third party as provided for in the same UNI EN 1158 standard 	0,702	2	1 07084 20 0				
 	<ul style="list-style-type: none"> Adjustable closing selector for double doors with door closer Chrome-plated steel CE mark in compliance with the directive 89/106/CEE issued by ICIM 	0,702	2	1 07084 11 0				
	<ul style="list-style-type: none"> Adjustable closing selector for double doors with door closer Chrome-plated steel CE mark in compliance with the directive 89/106/CEE issued by ICIM Voluntary ICIM certification issued by third party as provided for in the same UNI EN 1158 standard 	0,702	2	1 07084 21 0				



SMART

Technical features:

- Aluminium alloy monoblock body
- Nylon case cover
- Steel arm with or without adjustable hold open catch mechanism
- Special oil bath steel spring
- Regulating valve with thermostatic device

Supplied as standard:

- Fixing screws
- Template and assembly instructions

Adjustments:

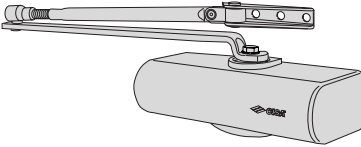
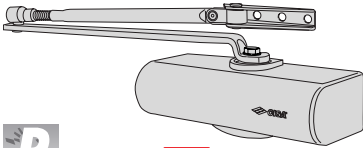
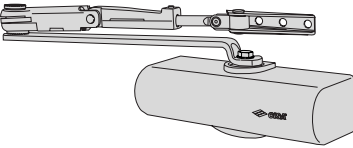
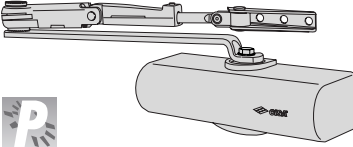
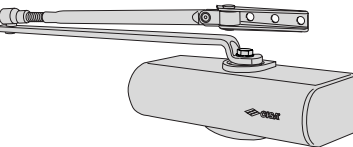
- Closing force
- Speed of closing
- Strength of final slam
- Regulation of door hold open catch mechanism (series 71411, 71416, 71456).

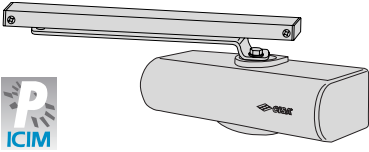

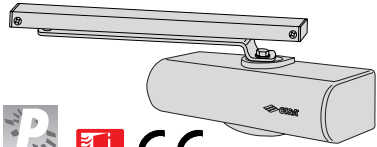


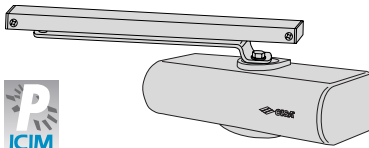

Finishes:

- Always specify the finish with the orders:

- Finishes available
 - CHAMPAGNE colour (fin. 87)
 - DARK BROWN colour (fin. 88)
 - ALUMINIUM colour (fin. 97)
 - DARK BRONZE colour (fin. 99)

- RED colour (fin. 41)
- YELLOW colour (fin. 42)
- GREEN colour (fin. 43)
- BLACK colour (fin. 44)
- WHITE colour (fin. 45)

Type	Description	Closing force EN 1154	Max. door width	Max. door weight	Kg Unit weight	Pieces	ITEM				
							Type	Dim.	Hand	Fin.	Pers.
	MULTIFORCE VERSION • Arm without hold-open catch mechanism	2÷4	850÷1100	40÷80	1,800	1	1 71410 03 0 97				
	MULTIFORCE VERSION • Arm without hold-open catch mechanism • CE mark in compliance with the DIRECTIVE 89/106/CEE issued by ICIM. • Voluntary ICIM certification issued by third party as provided for in the same UNI EN 1154 standards.	2÷4 4÷6	850÷1100 1100÷1400	40÷80 80÷120	1,800 2,100	1 1	1 71415 03 0 97 1 71415 05 0 97				
	MULTIFORCE VERSION • Arm with hold-open catch mechanism	2÷4	850÷1100	40÷80	2,100	1	1 71411 03 0 97				
	MULTIFORCE VERSION • Arm with hold-open catch mechanism • Voluntary ICIM certification issued by third party as provided for in the same UNI EN 1154 standards.	2÷4 4÷6	850÷1100 1100÷1400	40÷80 80÷120	2,100 2,400	1 1	1 71416 03 0 97 1 71416 05 0 97				
	MULTIFORCE VERSION • Arm with 90° hold-open catch mechanism	2÷4	850÷1100	40÷80	1,800	1	1 71412 03 0 97				

Type	Description	Closing force EN 1154	Max. door width	Max. door weight	Kg Unit weight	Pieces	ITEM				
							Type	Dim. Hand	Fin.	Pers. Spec.	
 	<ul style="list-style-type: none"> • Sliding arm • Arm without hold-open catch mechanism • Voluntary ICIM certification issued by third party as provided for in the same UNI EN 1154 standards. 	1	< 750	20	1,800	1	1 71455 01 0 97				
		2	850	40	2,100	1	1 71455 02 0 97				
  	<ul style="list-style-type: none"> • Sliding arm • Arm without hold-open catch mechanism • CE mark in compliance with the DIRECTIVE 89/106/CEE issued by ICIM. • Voluntary ICIM certification issued by third party as provided for in the same UNI EN 1154 standards. 	3	950	60	2,100	1	1 71455 03 0 97				
 	<ul style="list-style-type: none"> • Sliding arm • Arm with hold-open catch mechanism • Voluntary ICIM certification issued by third party as provided for in the same UNI EN 1154 standards. 	1	< 750	20	1,800	1	1 71456 01 0 97				
		2	850	40	2,100	1	1 71456 02 0 97				
		3	950	60	2,100	1	1 71456 03 0 97				



CISAProfessional

Technical features:

- Aluminium alloy monoblock body
- Nylon case cover
- Steel arm with or without adjustable hold open catch mechanism
- Special oil bath steel spring
- Regulating valve with thermostatic device

Supplied as standard:

- Fixing screws
- Template and assembly instructions

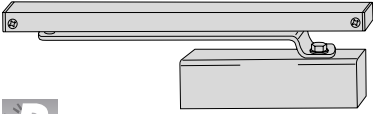

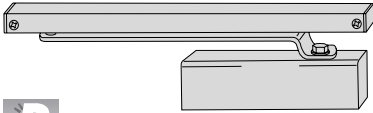



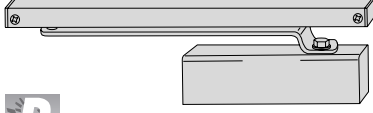

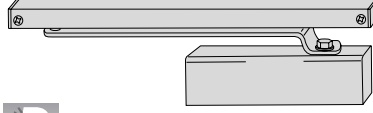



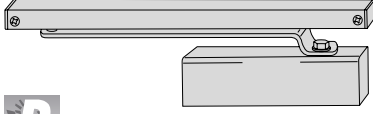

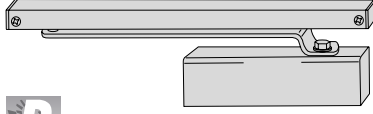

Adjustments:

- Closing force
- Speed of closing
- Strength of final slam
- Regulation of door hold open catch mechanism (series 71456, 71516, 71611, 72011).

Finishes:

- Always specify the finish with the orders:
- Finishes available
 - CHAMPAGNE colour (fin. 87)
 - DARK BROWN colour (fin. 88)
 - ALUMINIUM colour (fin. 97)
 - DARK BRONZE colour (fin. 99)
 - RED colour (fin. 41)
 - YELLOW colour (fin. 42)
 - GREEN colour (fin. 43)
 - BLACK colour (fin. 44)
 - WHITE colour (fin. 45)

Type	Description	Closing force EN 1154	Max. door width	Max. door weight	Kg Unit weight	Pieces	ITEM				
							Type	Dim.	Hand	Fin.	Pers.
 	MULTIFORCE VERSION • Arm without hold-open catch mechanism • CE mark in compliance with the DIRECTIVE 89/106/CEE issued by ICIM. • Voluntary ICIM certification issued by third party as provided for in the same UNI EN 1154 standards.	2÷4	850÷1100	40÷80	2,100	1	1 71510 03 0 97				
		4÷6	1100÷1400	80÷120	2,300	1	1 71510 05 0 97				
 	MULTIFORCE VERSION • Arm with hold-open catch mechanism • Voluntary ICIM certification issued by third party as provided for in the same UNI EN 1154 standards.	2÷4	850÷1100	40÷80	2,300	1	1 71511 03 0 97				
		4÷6	1100÷1400	80÷120	2,500	1	1 71511 05 0 97				
 	ADJUSTABLE FORCE VERSION • Arm without hold-open catch mechanism • CE mark in compliance with the DIRECTIVE 89/106/CEE issued by ICIM. • Voluntary ICIM certification issued by third party as provided for in the same UNI EN 1154 standards.	2÷6	850÷1400	40÷120	2,500	1	1 71610 03 0 97				
 	ADJUSTABLE FORCE VERSION • Arm with hold-open catch mechanism • Voluntary ICIM certification issued by third party as provided for in the same UNI EN 1154 standards.	2÷6	850÷1400	40÷120	2,700	1	1 71611 03 0 97				
 	ADJUSTABLE FORCE VERSION • DELAYED ACTION CLOSER • Arm without hold-open catch mechanism • Voluntary ICIM certification issued by third party as provided for in the same UNI EN 1154 standards.	2÷6	850÷1400	40÷120	2,500	1	1 71615 03 0 97				

Type	Description	Closing force EN 1154	Max. door width	Max. door weight	Kg Unit weight	Pieces	ITEM				
							Type	Dim.	Hand	Fin.	Pers.
 	<ul style="list-style-type: none"> • SLIDING ARM • Arm without hold-open catch mechanism • Voluntary ICIM certification issued by third party as provided for in the same UNI EN 1154 standards. 	1	< 750	20	2,600	1	1 72010 01 0 97				
		2	850	40	2,700	1	1 72010 02 0 97				
   	<ul style="list-style-type: none"> • SLIDING ARM • Arm with hold-open catch mechanism • CE mark in compliance with the DIRECTIVE 89/106/CEE issued by ICIM. • Voluntary ICIM certification issued by third party as provided for in the same UNI EN 1154 standards. 	3	950	60	2,700	1	1 72010 03 0 97				
		 	<ul style="list-style-type: none"> • SLIDING ARM • Arm with hold-open catch mechanism • Voluntary ICIM certification issued by third party as provided for in the same UNI EN 1154 standards. 	1	< 750	20	2,800	1	1 72011 01 0 97		
2	850			40	2,900	1	1 72011 02 0 97				
3	950			60	2,900	1	1 72011 03 0 97				
   	<p>ADJUSTABLE FORCE VESION</p> <ul style="list-style-type: none"> • SLIDING ARM • Arm without hold-open catch mechanism • CE mark in compliance with the DIRECTIVE 89/106/CEE issued by ICIM. • Voluntary ICIM certification issued by third party as provided for in the same UNI EN 1154 standards. 	1÷3	750÷950	20÷60	2,800	1	1 72110 03 0 97				
		 	<p>ADJUSTABLE FORCE VESION</p> <ul style="list-style-type: none"> • SLIDING ARM • Arm with hold-open catch mechanism • Voluntary ICIM certification issued by third party as provided for in the same UNI EN 1154 standards. 	1÷3	750÷950	20÷60	2,900	1	1 72111 03 0 97		
 	<p>ADJUSTABLE FORCE VESION</p> <ul style="list-style-type: none"> • SLIDING ARM • DELAYED ACTION CLOSER • Arm without hold-open catch mechanism • Voluntary ICIM certification issued by third party as provided for in the same UNI EN 1154 standards. 			1÷3	750÷950	20÷60	2,800	1	1 72115 03 0 97		



Technical features:

- Cast iron body
- Hardened steel camshaft
- Pressure relief valve
- ADJUSTMENTS:
 - Closing speed
 - Final slam

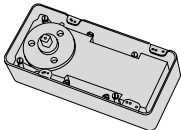
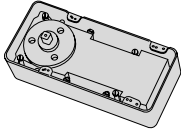
Supplied as standard:

- Steel wall-in case

On request:

- Covering plate item. 1.07123.00.0
- Personalized covering plate
- Special camshaft
- Hinge mechanism, without steel wall-in case

Type	Description	Start open	Max. door weight	Max. door width	Unit weight Kg	Pieces	ITEM					
							Type	Dim.	Hand	Fin.	Pers.	Spec.
	• 130° opening limiting device	-	100	900	5,950	1	1 60220 60 0					
	• 130° opening limiting device	90°	100	900	5,950	1	1 60221 60 0					
	• 130° opening limiting device	105°	100	900	5,950	1	1 60222 60 0					
	• 130° opening limiting device	-	100	1100	6,050	1	1 60230 60 0					
	• 130° opening limiting device	90°	100	1100	6,050	1	1 60231 60 0					
	• 130° opening limiting device	105°	100	1100	6,050	1	1 60232 60 0					

Type	Description	Stand open	Max door weight	Max door width	Unit weight Kg	Pieces	ITEM								
							Type	Dim.	Hand	Fin.	Pers.	Spec.			
	 <ul style="list-style-type: none"> • 130° opening limiting device 	-	200	1300	6,150	1	1	60240	60	0					
	 <ul style="list-style-type: none"> • 130° opening limiting device 	90°	200	1300	6,150	1	1	60241	60	0					
	 <ul style="list-style-type: none"> • 130° opening limiting device 	105°	200	1300	6,150	1	1	60242	60	0					



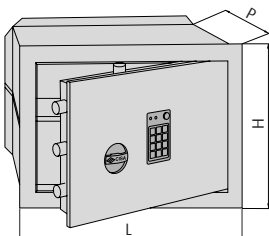
Technical features:

- Lit keypad.
- 10 mm thick steel front
- Seals are assembled using tough welds
- Nickel-plated steel dead-bolts (diameter 22 mm)
- Special high-resistance anti-corrosion kiln painting
- Carbonitrided steel lock protection plate
- Lock and mechanisms are fixed directly onto the door of the safe
- Opening commands do not protrude when in the rest position

Supplied as standard:

- Power cable
- Shelves
- Use and maintenance instructions

Type	Description	Prompt delivery	Outside dim.			Door thickness	Vertical bolts	Horizontal bolts	No. of shelves	Unitweight 	Pieces 	ITEM			
			L	H	P							Type	Dim.	Hand	Fin.



- Lit keypad
- Electronic combinator
- Internal light
- 1.5 V alkaline thin battery operation
- Removable door
- Laser welded sealing parts assembly
- Sound and light signal verifying combination
- Anti-tamper block

*	360	240	150	10	-	2	1	15,200	1	1 82710 30 0
*	360	240	200	10	-	2	1	15,700	1	1 82710 31 0
	360	240	250	10	-	2	1	17,000	1	1 82710 32 0
*	420	300	200	10	2	3	1	22,000	1	1 82710 40 0
*	420	300	250	10	2	3	1	23,600	1	1 82710 41 0
	420	300	300	10	2	3	1	24,900	1	1 82710 42 0
*	490	360	200	10	2	3	1	28,950	1	1 82710 50 0
*	490	360	250	10	2	3	1	30,800	1	1 82710 51 0
	490	360	300	10	2	3	1	32,300	1	1 82710 52 0
	360	490	200	10	2	3	2	33,100	1	1 82710 70 0
	360	490	250	10	2	3	2	34,400	1	1 82710 71 0
	360	490	300	10	2	3	2	33,200	1	1 82710 72 0



Technical features:

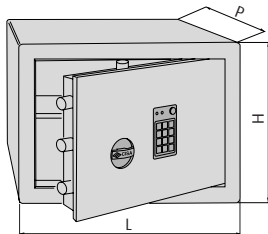
- Lit keypad.
- 10 mm thick steel front
- Seals are assembled using tough welds
- Nickel-plated steel dead-bolts (diameter 22 mm)
- Special high-resistance anti-corrosion kiln painting
- Carbonitrided steel lock protection plate
- Lock and mechanisms are fixed directly onto the door of the safe
- Opening commands do not protrude when in the rest position

- Use and maintenance instructions
- Installation instructions.

Supplied as standard:

- Power cable
- Shelves
- Fixing grips (4 pieces)

Type	Description	Promptdelivery	OutsidDimensions			Door thickness	Vertical bolts	Horizontal bolts	No. of shelves	Kg	Pieces	ITEM				
			L	H	P							Type	Dim.	Mano	Fin.	Pers.



- Lit keypad
- Electronic combinator
- Internal light
- 1.5 V alkaline thin battery operation
- Removable door
- Laser welded sealing parts assembly
- Sound and light signal verifying combination
- Anti-tamper block

			360	240	300	10	-	2	1	28,200	1	1 82750 34 0					
			420	300	350	10	2	3	1	40,500	1	1 82750 43 0					
			490	360	350	10	2	3	1	51,110	1	1 82750 53 0					
			360	490	400	10	2	3	2	55,650	1	1 82750 74 0					



Technical features:

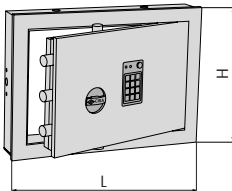
- Modular front and safe compartment
- 10 mm thick steel front.
- Seals are assembled using tough welds
- Nickel-plated steel dead-bolts (diameter 22 mm)
- Special high-resistance anti-corrosion kiln painting
- Carbonitrided steel lock protection plate
- Lock and mechanisms are fixed directly onto the door of the safe
- Opening commands do not protrude when in the rest position

- Instruction sheet
- Use and maintenance instructions

Supplied as standard:

- Frame edge cover
- Bolts for fixing the compartment
- Shelf

Type	Description	Prompdelivery	Outsidimension			Door thickness	Vertical bolts	Horizontal bolts	No. of shelves	Unit weght	Pieces	ITEM				
			L	H	P							Type	Dim.	Hand	Fin.	Pers.



- Faceplate with electronic combinator
- Lit keypad
- Internal light
- To be combined with item 83000.40/41
- 1.5 V alkaline thin battery operation
- Laser welded sealing parts assembly
- SUPPLIED AS STANDARD:
- Power cable

420 300 - 10 2 3 1 19,700 1 **1 83710 40 0**

N. B.:

- The products listed have all the characteristics indicated in the technical descriptions of CISA's catalogue, and it is advised to use them only as indicated.
CISA does not guarantee any characteristics or use other than indicated. For special security needs the end-user should contact the retailer / installer of such products, or contact CISA directly to agree on specific variations to best meet the user's needs.
- The measurements are given in millimetres.
- Weights refer to unit item, not to the package.

CISA S.p.A. reserves the right to modify products here illustrated without prior notice.



48018 Faenza (RA) Italy - via G. Oberdan, 42 - Tel. +39 0546 677271 - Fax +39 0546 623106

www.cisa.com