

MAIN FEATURES

A NEW CONCEPT OF SECURITY

- Innovative locking system, with a "rotary hook deadbolt";
- Pull resistance of up to 2000 kg; **A**
- Excellent vibration resistance and impact strength (*patented system*);
- Protective steel case totally enclosing the lock and the striker.

A REVOLUTIONARY DESIGN

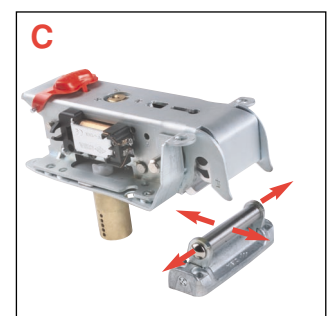
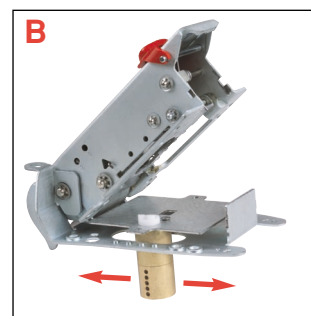
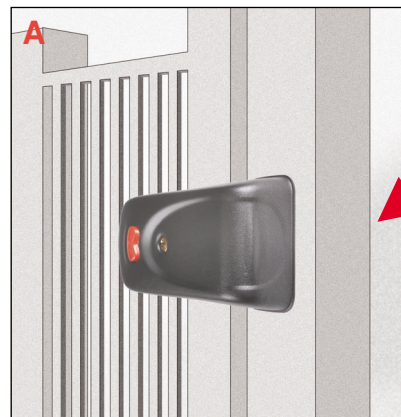
- Elettrika perfectly matches any type of door or gate shape and style.
- The new (*patented*) design characterised by simple and round lines, represents a true resource for designers.

MAXIMUM VERSATILITY

- Elettrika is non handed (*patented system*), and with a variable backset from 50 to 80 mm (*patented system*); **B**
- Elettrika is fitted with a new type of self-adjusting "swinging rod" striker, active both vertically and horizontally (*patented system*); **C**
- The rotary hook deadbolt of Elettrika can be operated in two different modes (*patented system*):
 - Automatic opening: the door is set open by the deadbolt rotation;
 - Ready to open: the deadbolt is withdrawn but the door remains in closing position;
- Elettrika is interchangeable with all the types of lock available in the market.

ERGONOMICS

- The innovative reloading system ensures silent opening and closing operation;
- The gate rebound effect is reduced;
- The hold open device (when selected) allows to block the lock in its open position.



Technical features

- Protective steel casing;
- Rotary hook deadbolt in extruded aluminium;
- Metal striker with stainless steel "swinging rod";
- Zinc coated internal components;
- Power supply: 12 V AC CE.

Operation

- From outside with a key;
- From inside with a push-button or a key plus electric remote control.

Supplied with:

- Striker;
- Single or double cylinder;
- Fixing screws;
- Fixing plates (if fitted);
- 2 spacers for the striker;
- Instruction sheet;
- 3 keys item 1.01070.10.1

Hand

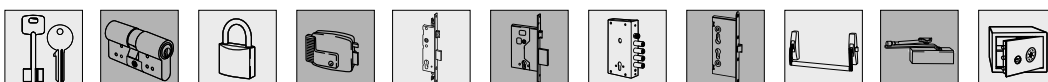
- Non handed.

Finishes

- Epoxy powder paint in dark grey.

Optional accessories

- Booster item 1.07022.00.0;
- Protective casing item 1.07056.00.0;
- Spacers for striker item 1.07021.01;
- Spacers for long lipped striker item 1.07021.11.0.



Type	Description	Cylinder	Backset	Kg Unit	Pieces	ITEM				
						Type	Dim.	Hand	Fin.	Pers.
	<p>VERSION FOR STEEL DOORS</p> <ul style="list-style-type: none"> • Back plate for lock and striker to be welded 		50-80	2,800	1	1	1A721	00 0		
		Art. 1 0G150 00 0								
	<p>VERSION FOR STEEL DOORS</p> <ul style="list-style-type: none"> • Back plate for lock and striker to be welded • Inner push-button • Hold open device 		50-80	2,800	1	1	1A731	00 0		
		Art. 1 0G150 00 0								
	<p>VERSION FOR WOODEN DOORS</p> <ul style="list-style-type: none"> • Inner push-button 		50-80	2,350	1	1	1A610	00 0		
		Art. 1 0G500 00 0								
	<p>VERSION FOR WOODEN DOORS</p> <ul style="list-style-type: none"> • Inner push-button • Brass escutcheon 		50-80	2,350	1	1	1A611	00 0		
		Art. 1 0G200 55 0								
	<p>VERSION FOR WOODEN DOORS</p> <ul style="list-style-type: none"> • Inner push-button • Hold open device 		50-80	2,350	1	1	1A630	00 0		
		Art. 1 0G115 00 0								
	<p>VERSION FOR WOODEN DOORS</p> <ul style="list-style-type: none"> • Inner push-button • Hold open device • Brass escutcheon 		50-80	2,350	1	1	1A631	00 0		
		Art. 1 0G150 00 0								
	<ul style="list-style-type: none"> • Booster for the Elettrika series locks: - to adapt 12V dc – 24 V dc – 24 V ca - to reduce power absorption - to operate electric hold open devices - in case of insufficient power supply 			0,050	6	1	07022	00 0		

