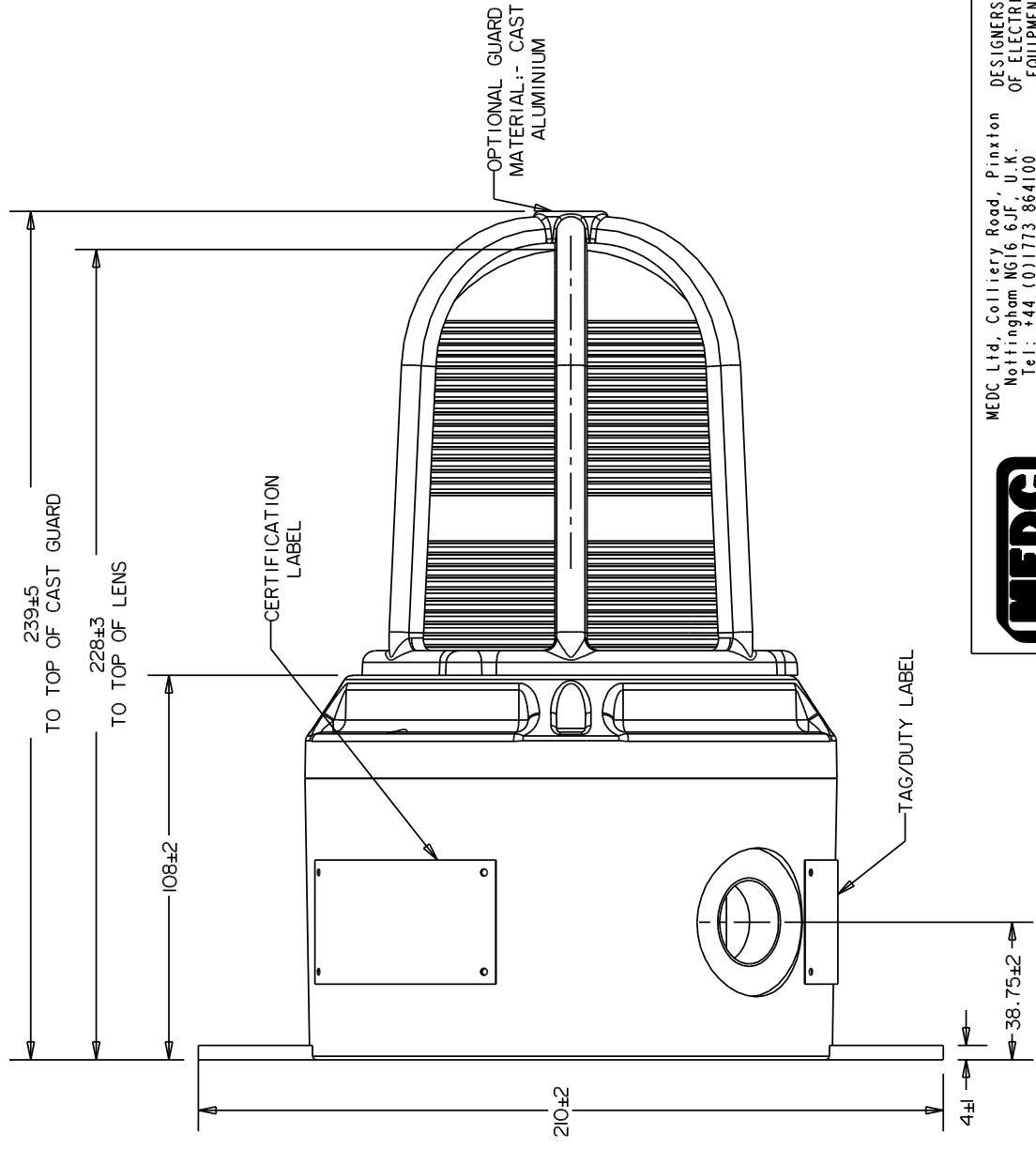
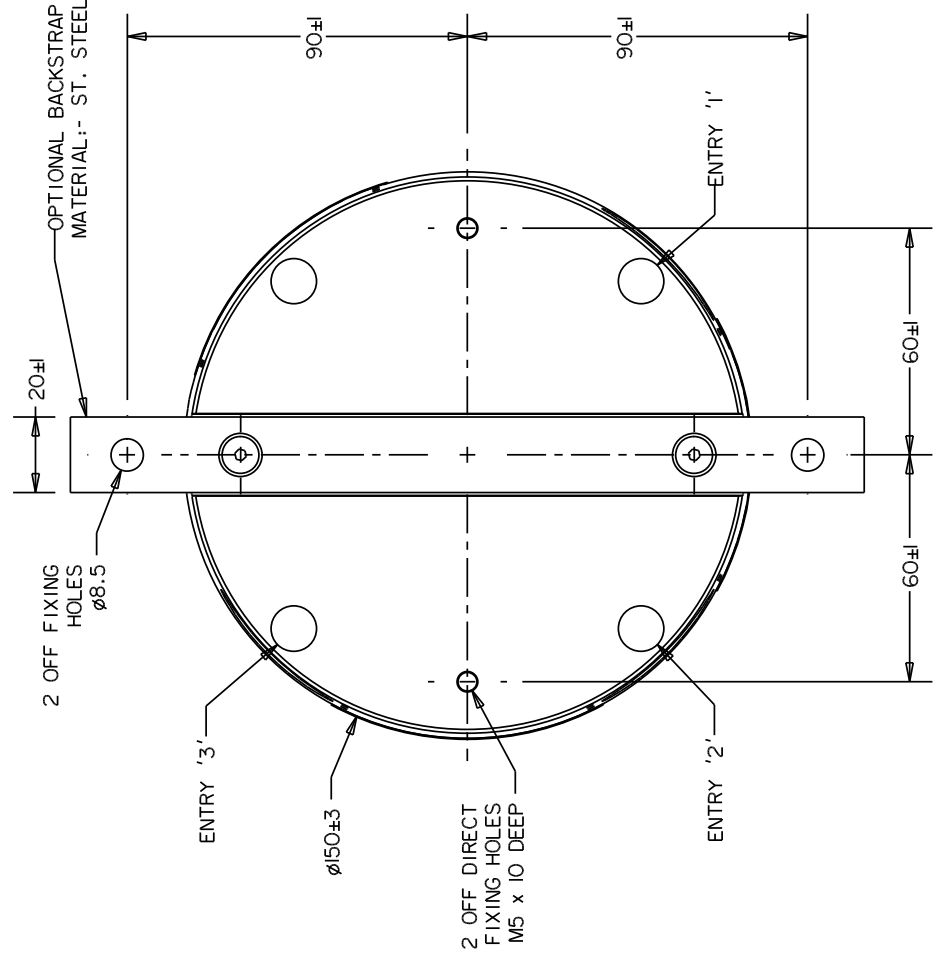


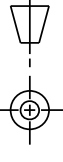
276-154

NOTES:

1. TYPE XB15 XENON BEACON
2. CERTIFICATION No. BASEEFA04ATEX0009X.  
II 2 GD EEx d IIC T6 (-55°C TO +55°C)  
T5 (-55°C TO +70°C)
3. WEIGHT:- POLE MOUNT VERSION - 2.6 ±0.3 Kg  
DIRECT MOUNT VERSION - 3.0 ±0.3 Kg
4. ENCLOSURE AND COVER MATERIAL:- GLASS  
REINFORCED POLYESTER
5. OPTIONAL TAG/DUTY LABEL, LETTER SIZE 5mm MAX.
6. TERMINALS ARE SUITABLE FOR THE FOLLOWING:-  
DIRECT MOUNT:- UP TO 12-WAY, 440V, 25A, 2.5mm<sup>2</sup>  
POLE MOUNT:- UP TO 8-WAY, 440V, 25A, 2.5mm<sup>2</sup>
7. CABLE ENTRIES:-  
DIRECT MOUNT:- 3 x M25 x 1.5p MAX. @ POS. '1', '2' & '3'  
POLE MOUNT:- 1 x M25 x 1.5p MAX.




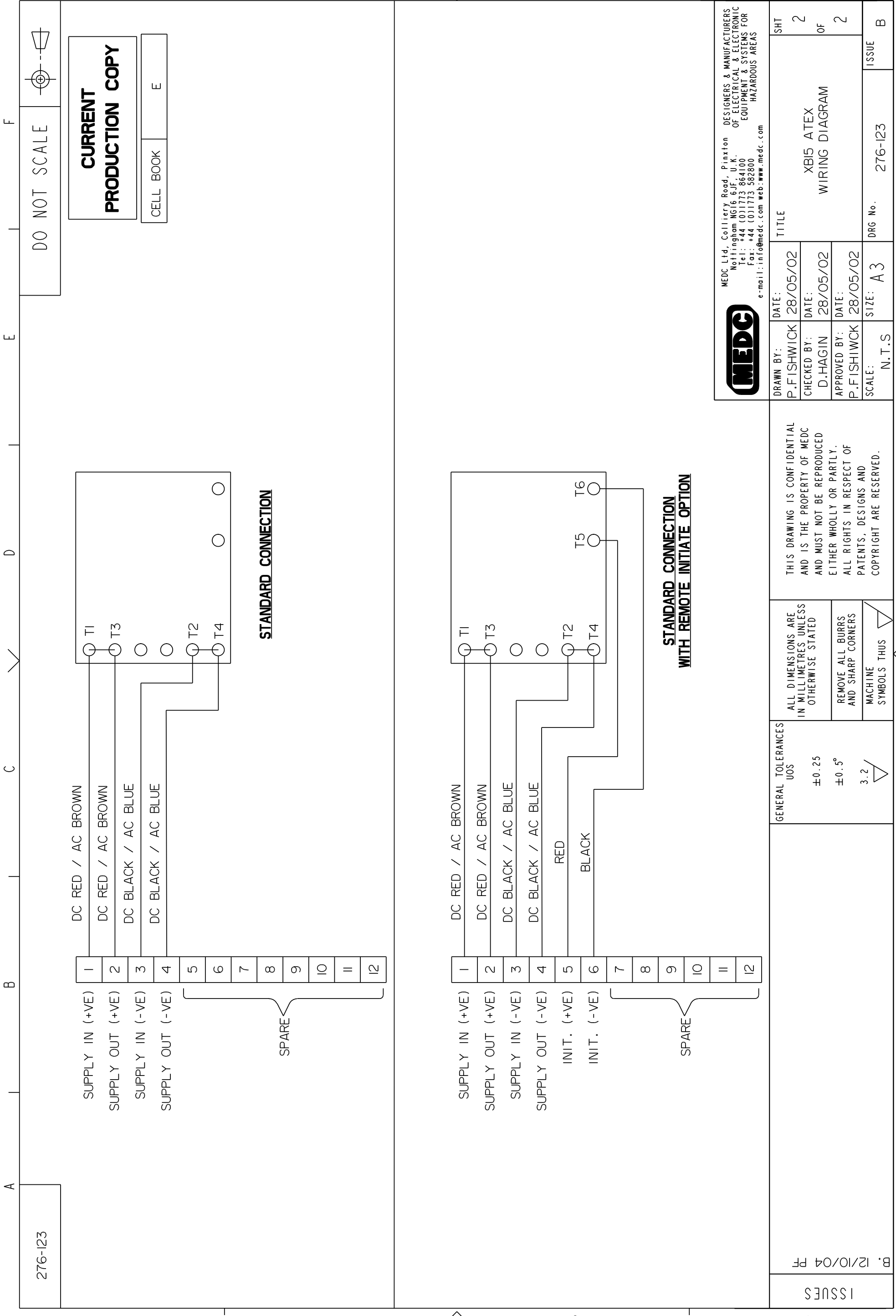
DO NOT SCALE



MEDC Ltd, Colliery Road, Pinxton  
Nottingham NG16 6JF, U.K.  
Tel: +44 (0)1773 864100  
Fax: +44 (0)1773 582800  
e-mail: info@medc.com web: www.medc.com

DESIGNERS & MANUFACTURERS  
OF ELECTRICAL & ELECTRONIC  
EQUIPMENT & SYSTEMS FOR  
HAZARDOUS AREAS

GENERAL TOLERANCES		ALL DIMENSIONS ARE IN MILLIMETRES UNLESS OTHERWISE STATED		THIS DRAWING IS CONFIDENTIAL AND IS THE PROPERTY OF MEDC AND MUST NOT BE REPRODUCED EITHER WHOLLY OR PARTLY. ALL RIGHTS IN RESPECT OF PATENTS, DESIGNS AND COPYRIGHT ARE RESERVED.	
ISO	±0.25				
	±0.5°	REMOVE ALL BURRS AND SHARP CORNERS			
	3.2	MACHINE SYMBOLS THUS 			
ISSUES		SCALE: N.T.S	DATE: 26/06/03	TITLE	SHT
		SIZE: A3	CHECKED BY: P.FISHWICK	XB15 ATEX CUSTOMER GA	1 OF 2
			APPROVED BY: P.FISHWICK		
			DATE: 11/07/03	DRG No. 276-154	ISSUE A



276-123

DO NOT SCALE

**CURRENT  
PRODUCTION COPY**

CELL BOOK E

**STANDARD CONNECTION**

**STANDARD CONNECTION  
WITH REMOTE INITIATE OPTION**



MEDCO Ltd, Colliery Road, Pinxton  
Nottingham NG16 6JF, U.K.  
Tel: +44 (0)1773 864100  
Fax: +44 (0)1773 582800  
e-mail: info@medco.com web: www.medco.com

DRAWN BY: P.FISHWICK	DATE: 28/05/02	TITLE XB15 ATEX WIRING DIAGRAM	SHT 2
CHECKED BY: D.HAGIN	DATE: 28/05/02	OF 2	
APPROVED BY: P.FISHWICK	DATE: 28/05/02		
SCALE: N.T.S	SIZE: A3	DRG No. 276-123	ISSUE B

THIS DRAWING IS CONFIDENTIAL AND IS THE PROPERTY OF MEDCO AND MUST NOT BE REPRODUCED EITHER WHOLLY OR PARTLY. ALL RIGHTS IN RESPECT OF PATENTS, DESIGNS AND COPYRIGHT ARE RESERVED.

ALL DIMENSIONS ARE IN MILLIMETRES UNLESS OTHERWISE STATED  
REMOVE ALL BURRS AND SHARP CORNERS  
MACHINE SYMBOLS THUS

GENERAL TOLERANCES UNLESS OTHERWISE STATED  
±0.25  
±0.5°  
3.2

ISSUES	B. 12/10/04 PF
--------	----------------