

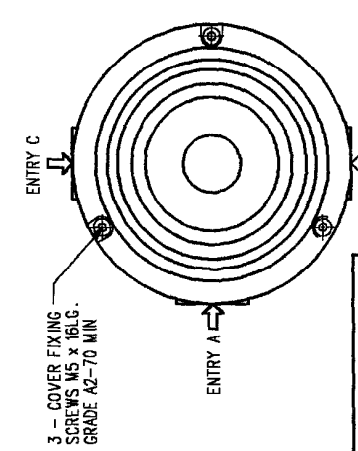
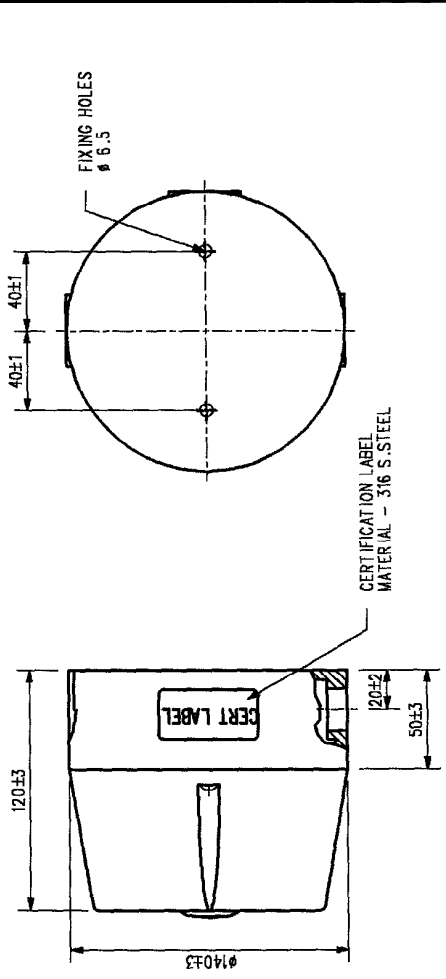
**DO NOT SCALE**



CELL NO. J

- 5/ SELF ADHESIVE TAG LABEL, LETTER SIZE 5mm MAX
- 6/ SELF ADHESIVE DUTY LABEL, LETTER SIZE 5mm MAX
- 7/ TERMINALS SUITABLE FOR UP TO 2.5mm SQ CABLE
- 8/ CABLE ENTRIES AVAILABLE AT "A" "B" AND "C" VIA KNOCKOUTS.

- 1/ TYPE DB7
- 2/ CERTIFICATION No. BASEEFA BAS00ATEX1260 (APPARATUS)  
Ex96D2362 (SYSTEM)  
II 1 G EE x ia IIC T4  
OR  
II 1 G EE x ia IIB T4
- 3/ WEIGHT :- 1.0 ±0.1kg
- 4/ MATERIAL :- GLASS REINFORCED POLYESTER



**WARNING**  
THIS DRAWING RELATES TO A CERTIFIED PRODUCT.  
NO MODIFICATIONS PERMITTED WITHOUT THE AUTHORISATION OF THE TECHNICAL MANAGER

**CURRENT PRODUCTION COPY**

**MEDC**  
DESIGNERS & MANUFACTURERS OF ELECTRICAL & ELECTRONIC EQUIPMENT & SYSTEMS FOR HAZARDOUS AREAS  
MEDC, Colliery Road, Pinxton, Nottingham NG16 5JF, U.K.  
Tel: +44 (0)1773 812249  
Fax: +44 (0)1773 590282

DRAWN BY:	D.HAGIN	DATE:	18-04-01
CHECKED BY:	M.SELDEN	DATE:	18-04-01
APPROVED BY:	D.HAGIN	DATE:	18-04-01
SCALE:	—	SIZE:	A4
TITLE:	DB7 ATEX GENERAL ARRANGEMENT		
DRG No.	212-310		ISSUE
			A

THIS DRAWING IS CONFIDENTIAL AND IS THE PROPERTY OF MEDC AND MUST NOT BE REPRODUCED EITHER WHOLLY OR PARTLY. ALL RIGHTS IN RESPECT OF PATENTS, DESIGNS AND COPYRIGHT ARE RESERVED.

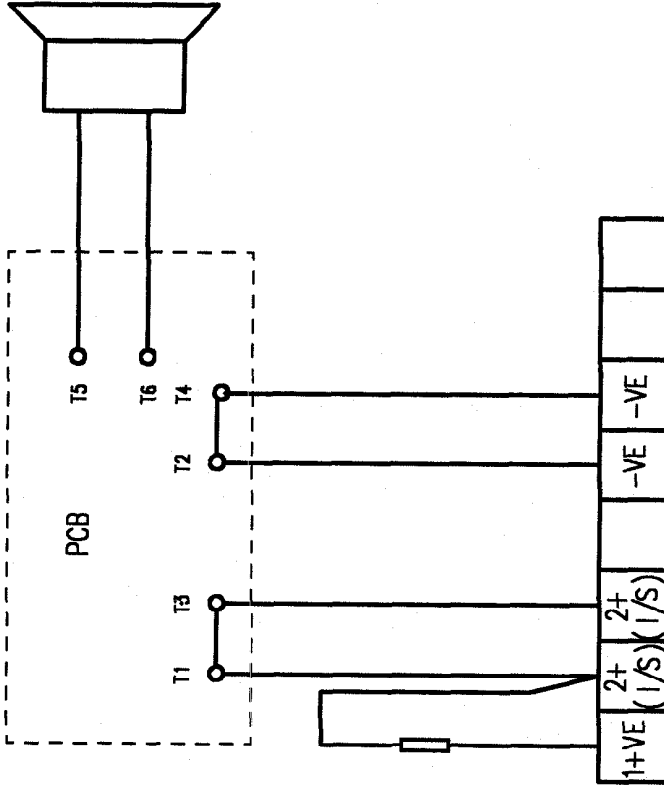
ALL DIMENSIONS ARE IN MILLIMETRES UNLESS OTHERWISE STATED  
REMOVE ALL BURRS AND SHARP EDGES  
MACHINE SYMBOLS THUS  $\checkmark$ mm

**ISSUES**

DO NOT SCALE



DUAL TONE UNIT



**WARNING**  
 THIS DRAWING RELATES  
 TO A CERTIFIED PRODUCT.  
 NO MODIFICATIONS  
 PERMITTED WITHOUT  
 THE AUTHORISATION OF  
 THE TECHNICAL MANAGER

**CURRENT  
 PRODUCTION COPY**



MEDC, Colliery Road, Pinxton,  
 Nottingham NG16 6JF, U.K.  
 Tel: +44 (0)1773 812249  
 Fax: +44 (0)1773 580282

DESIGNERS & MANUFACTURERS  
 OF ELECTRICAL & ELECTRONIC  
 EQUIPMENT & SYSTEMS FOR  
 HAZARDOUS AREAS

CELL NO. J

ALL DIMENSIONS ARE IN MILLIMETRES UNLESS OTHERWISE STATED REMOVE ALL BURRS AND SHARP EDGES MACHINE SYMBOLS THUS	THIS DRAWING IS CONFIDENTIAL AND IS THE PROPERTY OF MEDC AND MUST NOT BE REPRODUCED EITHER WHOLLY OR PARTLY. ALL RIGHTS IN RESPECT OF PATENTS, DESIGNS AND COPYRIGHT ARE RESERVED.		DRAWN BY: <b>S. HUNT</b>	DATE: <b>23-10-01</b>	TITLE <b>WIRING DIAGRAM DB7 ATEX          WITH PROTECTIVE RESISTOR</b>
	CHECKED BY: <b>D. HAGIN</b>	DATE: <b>223-10-01</b>	DRG No. <b>212-331</b>		
	APPROVED BY: <b>B. TAYLOR</b>	DATE: <b>23-10-01</b>	ISSUE <b>A</b>		
SCALE: <b>A4</b>			SIZE <b>A4</b>		
<b>ISSUES</b>					