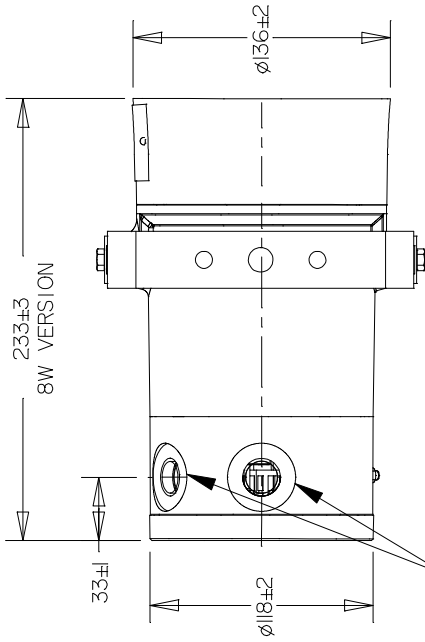


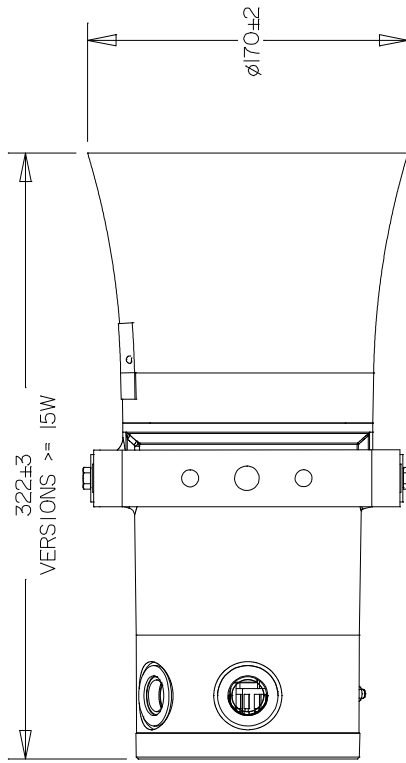
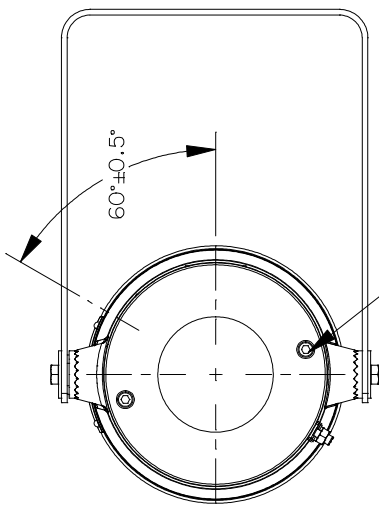
199-394

# EExde UNIT

DO NOT SCALE



2 OFF M20 ENTRIES



ISSUES	B. 09/10/02 PF	C. 08/07/03 PF
--------	----------------	----------------

GENERAL TOLERANCES UNLESS OTHERWISE STATED	±0.25	±0.5°	3.2
REMOVE ALL BURRS AND SHARP CORNERS			
MACHINE SYMBOLS THUS			
THIS DRAWING IS CONFIDENTIAL AND IS THE PROPERTY OF MEDC AND MUST NOT BE REPRODUCED EITHER WHOLLY OR PARTLY. ALL RIGHTS IN RESPECT OF PATENTS, DESIGNS AND COPYRIGHT ARE RESERVED.			

DATE: 18/08/00	DATE: 18/08/00	DATE: 18/08/00	DATE: 18/08/00	SIZE: A3	DRG No. 199-394	ISSUE C
DRAWN BY: M. SELDEN	CHECKED BY: G. HODGKINSON	APPROVED BY: M. SELDEN	NTS		CUSTOMER GA DB4 & DB4L SPEAKERS	
MEDC Ltd, Colliery Road, Pinxton Nottingham NG16 6JF, U.K. Tel: +44 (0)1773 864100 Fax: +44 (0)1773 352800 e-mail: info@medc.com web: www.medc.com						
DESIGNERS & MANUFACTURERS OF ELECTRICAL & ELECTRONIC EQUIPMENT & SYSTEMS FOR HAZARDOUS AREAS						