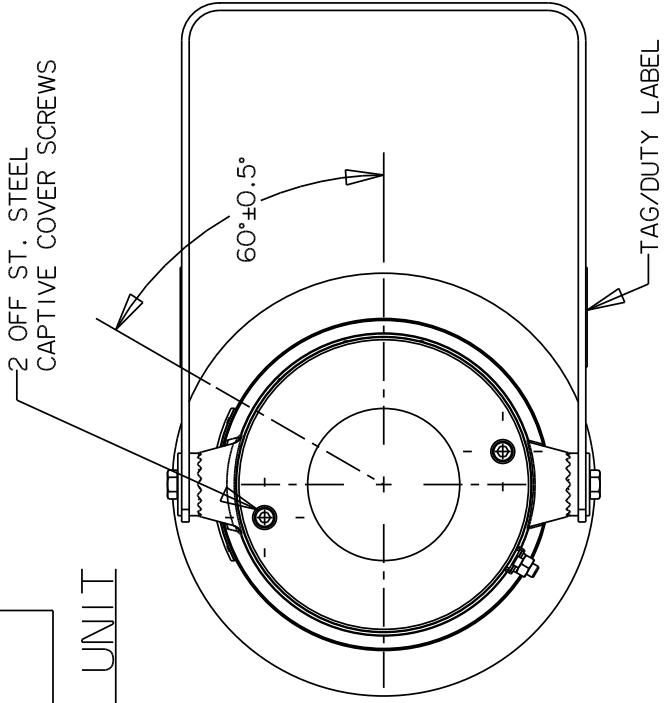
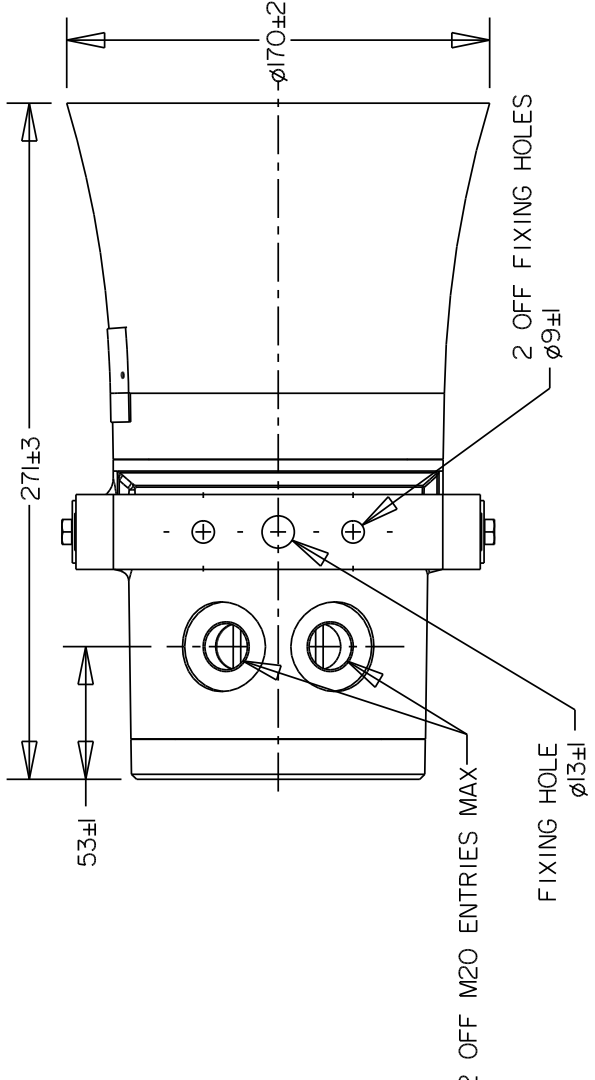
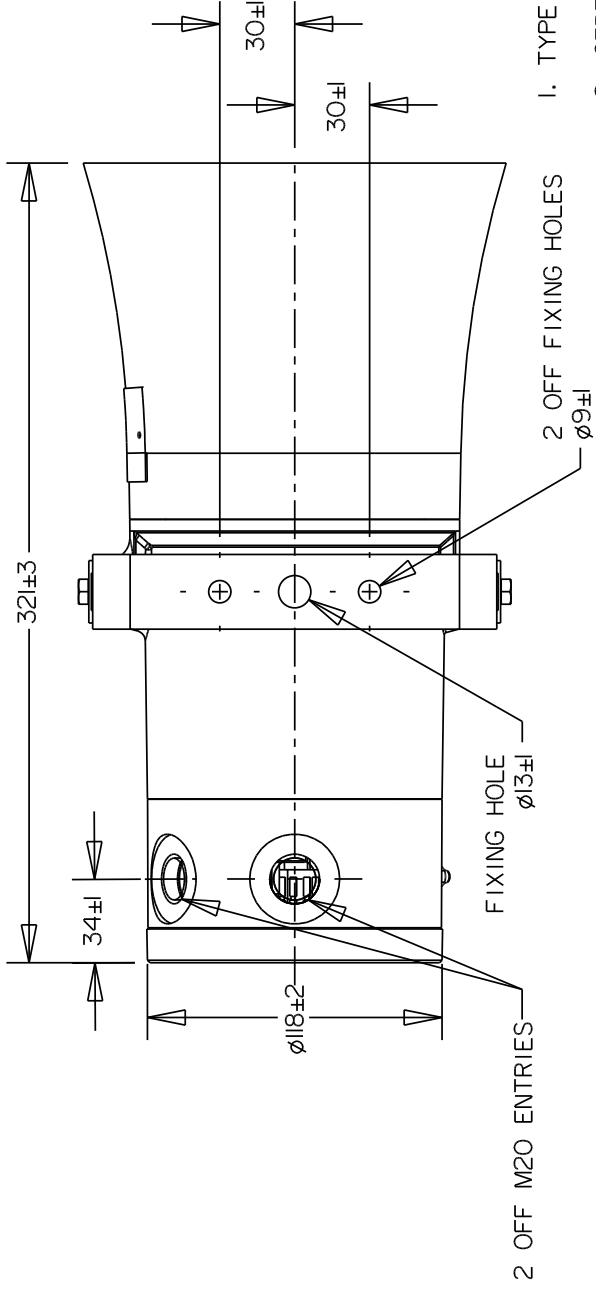
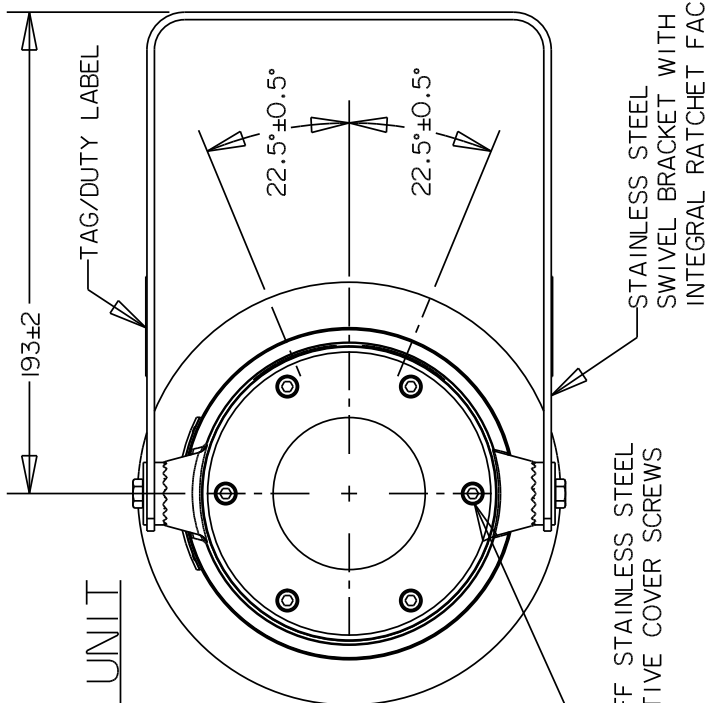


219-275

### EExde UNIT



### EExd UNIT



1. TYPE DB3 & DB3L SOUNDERS
2. CERTIFICATION No. BAS00ATEX2097X EExd IIC T5  
BAS00ATEX2198X EExde IIC T5
3. WEIGHT:- EExd VERSION:- 4.0Kg ±0.3  
EExde VERSION:- 4.5Kg ±0.3
4. MATERIAL (ENCLOSURE, COVER & HORN):- GRP
5. OPTIONAL TAG/DUTY LABEL, LETTER SIZE 5mm MAX
6. TERMINALS SUITABLE FOR UP TO 2.5mm<sup>2</sup> CABLE

DO NOT SCALE

ISSUES

B. 09/10/02 PF

GENERAL TOLERANCES

UNOS

±0.25

±0.5°

3.2

ALL DIMENSIONS ARE IN MILLIMETRES UNLESS OTHERWISE STATED

REMOVE ALL BURRS AND SHARP CORNERS

MACHINE SYMBOLS THUS

THIS DRAWING IS CONFIDENTIAL AND IS THE PROPERTY OF MEDC AND MUST NOT BE REPRODUCED EITHER WHOLLY OR PARTLY. ALL RIGHTS IN RESPECT OF PATENTS, DESIGNS AND COPYRIGHT ARE RESERVED.

DRAWN BY:	DATE:	TITLE	SHT
P.FISHWICK	01/03/02	CUSTOMER GA DB3 SOUNDER	1
CHECKED BY:	DATE:		OF
B.MALBON	01/03/02		1
APPROVED BY:	DATE:	DRG No.	ISSUE
M.SELDEN	01/03/02	219-275	B
SCALE:	SIZE:		
N.T.S	A3		



MEDC Ltd, Colliery Road, Pinxton  
Nottingham NG16 6JF, U.K.  
Tel: +44 (0)1773 864100  
Fax: +44 (0)1773 582800  
e-mail: info@medc.com web: www.medc.com

DESIGNERS & MANUFACTURERS  
OF ELECTRICAL & ELECTRONIC  
EQUIPMENT & SYSTEMS FOR  
HAZARDOUS AREAS