

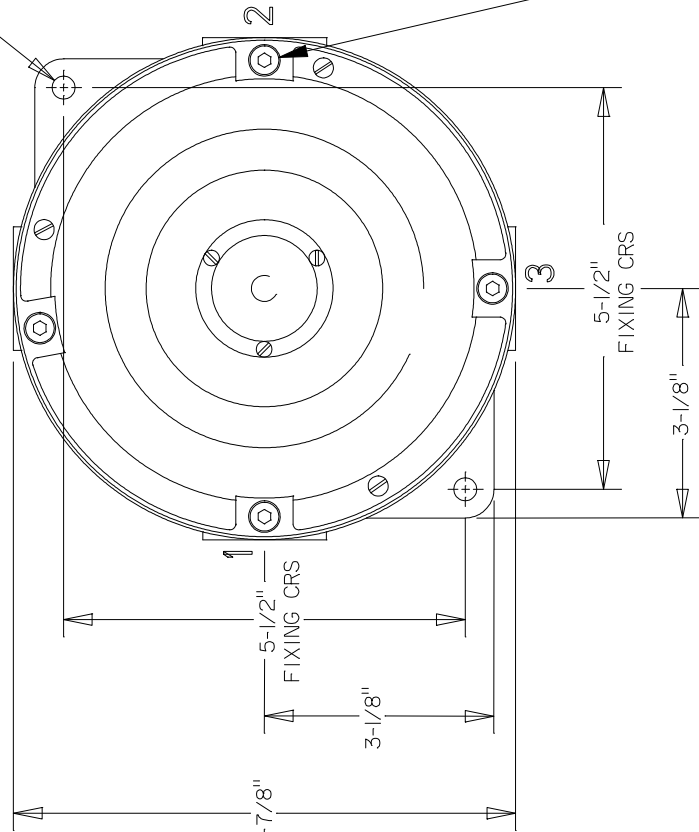
173-392

DO NOT SCALE

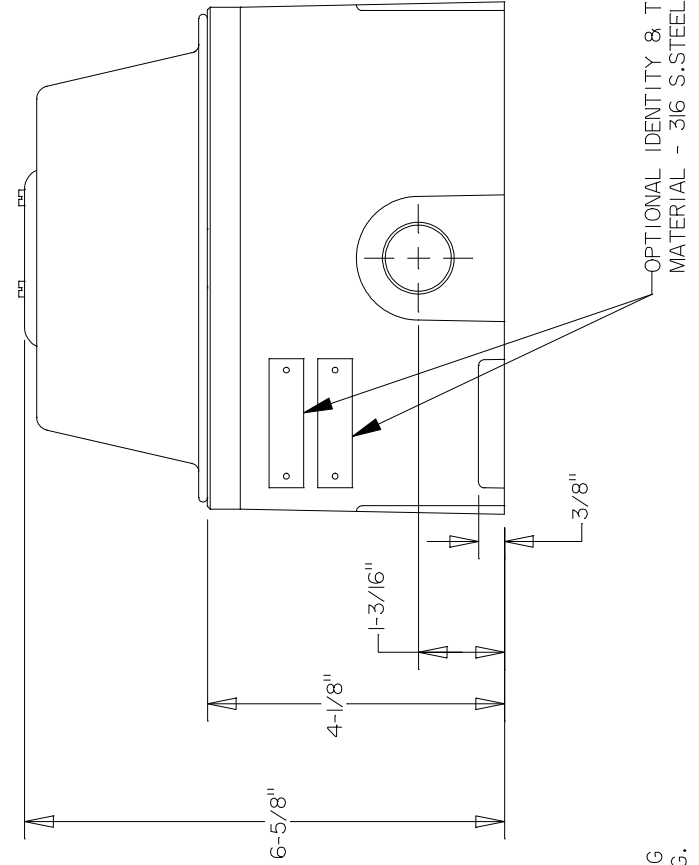
1. TYPE DBI
2. UL LISTING NO. E187688, CLASS I, DIV. I, GROUPS C & D
AMBIENT TEMP. -13°F TO +131°F
3. WEIGHT:- 7.7 LBS APPROX.
4. MATERIAL:- BODY & LID - ALUMINIUM GRADE LM25TF
RE-ENTRANT HORN - POLYCARBONATE

5. IDENTITY/TAG LABELS LETTER SIZE 3/16" MAX.
6. TERMINALS SUITABLE FOR UP TO 14 AWG
7. 1/2" OR 3/4" NPT ENTRIES AVAILABLE AT POS. 1, 2 AND 3
8. UL LISTED SEALANT TO BE APPLIED TO ALL GLANDS AND BLANKING PLUGS.
9. GENERAL TOLERANCE ±3/32"

2 OFF FIXING HOLES $\phi 5/16"$



4 OFF COVER FIXING SCREWS, M6 x 16 LG. GRADE A2-70 (MIN)



OPTIONAL IDENTITY & TAG LABELS MATERIAL - 316 S.STEEL

ISSUES
B. 13/12/00 MDS

ALL DIMENSIONS ARE IN MILLIMETRES UNLESS OTHERWISE STATED
REMOVE ALL BURRS AND SHARP CORNERS
MACHINE SYMBOLS THUS

THIS DRAWING IS CONFIDENTIAL AND IS THE PROPERTY OF MEDC AND MUST NOT BE REPRODUCED EITHER WHOLLY OR PARTLY. ALL RIGHTS IN RESPECT OF PATENTS, DESIGNS AND COPYRIGHT ARE RESERVED.

DATE:	14/08/00	TITLE	SHT
DRAWN BY:	M.SELDEN	DBI CUSTOMER GA	1
CHECKED BY:	G.HODGKINSON	UL APPROVED VERSION	OF
APPROVED BY:	M.SELDEN		1
DATE:	14/08/00	SIZE:	A3
SCALE:	NTS	DRG No.	173-392
		ISSUE	B



MEDC Ltd, Colliery Road, Pinxton
Nottingham NG16 6JF, U.K.
Tel: +44 (0)1773 864100
Fax: +44 (0)1773 382800
e-mail: info@medc.com web: www.medc.com
DESIGNERS & MANUFACTURERS
OF ELECTRICAL & ELECTRONIC
EQUIPMENT & SYSTEMS FOR
HAZARDOUS AREAS