

The SP-4003 optical-acoustic outdoor siren is designed for burglary and panic alarm systems. It comes in two versions: SP-4003 and SP-4003 BL, which differ by the color of optical signaling (red in the SP-4003, blue in the SP-4003 BL). As the light source in the siren, two sets of LEDs are used. The sound signal is generated by means of a piezoelectric transducer. Design of the siren ensures a high degree of tamper protection (against opening and/or pull-off from the mounting surface). Electronic circuit of the device is made in SMD technology and impregnated against adverse effect of weather conditions, thus ensuring a high reliability of the equipment. The outer housing of the siren is made of PC LEXAN high-impact polycarbonate, so it features a very high mechanical strength and guarantees esthetic look of the equipment even after many years of service. The inner cover, made of galvanized sheet, provides extra protection for electronic components against mechanical damage.

1. Installation

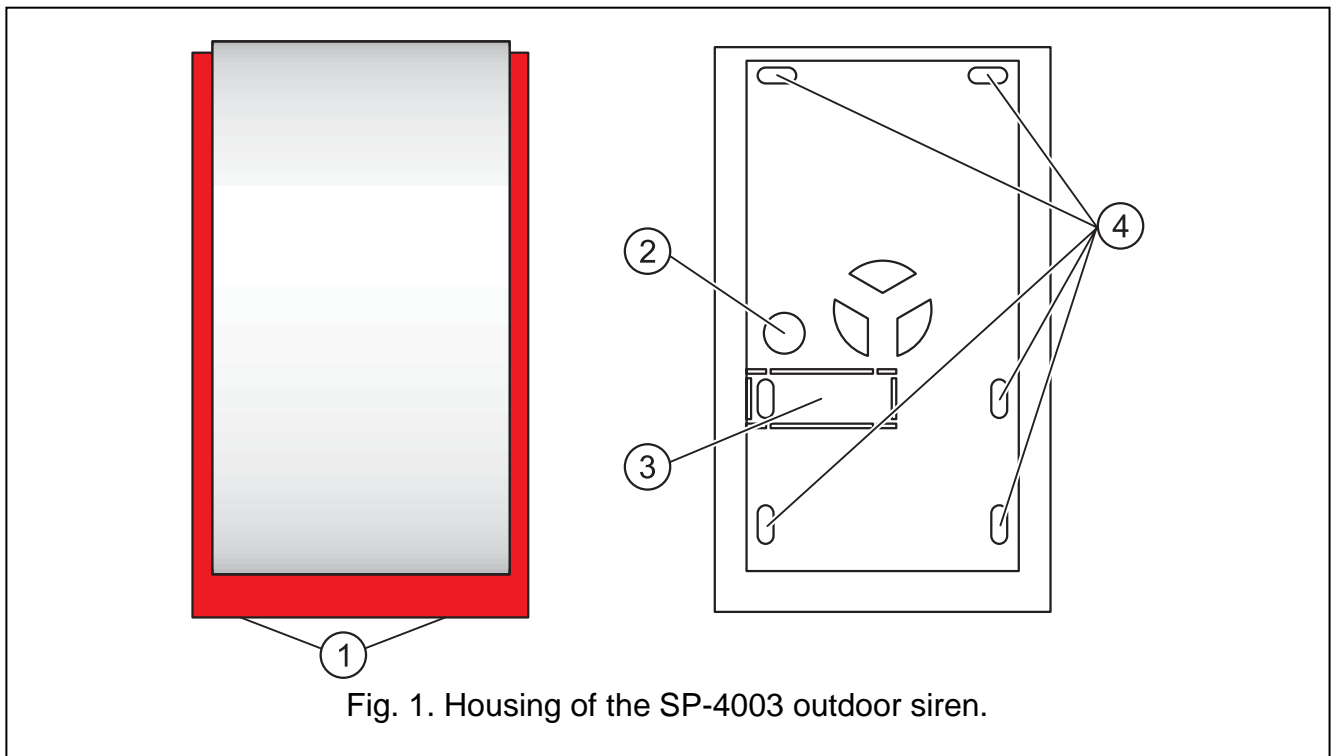


Fig. 1. Housing of the SP-4003 outdoor siren.

Explanations for Figure 1:

- 1 – cover retaining screws
- 2 – cable entry hole
- 3 – tamper element of the cover (should be screwed to the mounting surface; do not apply excessive force, so as not to break the narrowings)
- 4 – mounting holes

The SP-4003 outdoor siren should be mounted on a flat surface, at a place which is as hard to access as possible, so as to minimize the risk of tampering. The device must be attached to the surface by means of screws and expansion plugs. In order to take off the cover,

remove the two locking screws and lift it by an angle of approx. 60°. Be particularly careful when dismantling and remounting the inner sheet metal cover.

Note: *Make sure there is a suitable distance (minimum 2.5cm) between the upper edge of the siren housing and the ceiling or another element which restricts the mounting position from the above. Otherwise, replacement of the cover may be impossible.*

After installation of the outdoor siren mounting holes as well as the cable inlet should be sealed with silicone compound.

2. Connection

The SP-4003 outdoor siren can interface with any alarm signal source where in the event of alarm condition +12V direct voltage appears on the alarm output(s). Connecting the +12V supply to the terminals +SA- will set off the acoustic alarm, and to the terminals +SO- – the optical alarm. It should be borne in mind that the current capacity of the control panel outputs must ensure proper operation of the outdoor siren.

The tamper circuit of the outdoor siren will be open on removing the outer enclosure or detaching the siren from the wall. For the tamper contact to function correctly during pull-off, the tamper element (Fig. 1) must be screwed down to the mounting surface.

The TMP terminals are used to connect the device to the tamper circuit of the security system, while the SENS and TMP terminals are provided for connecting the inner tamper contact of the housing.

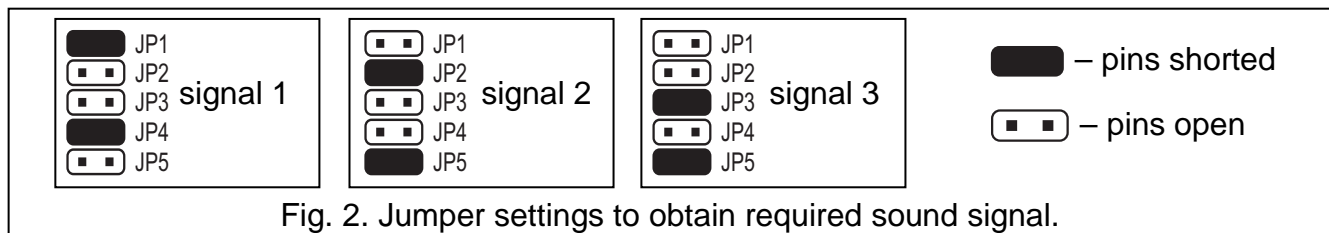
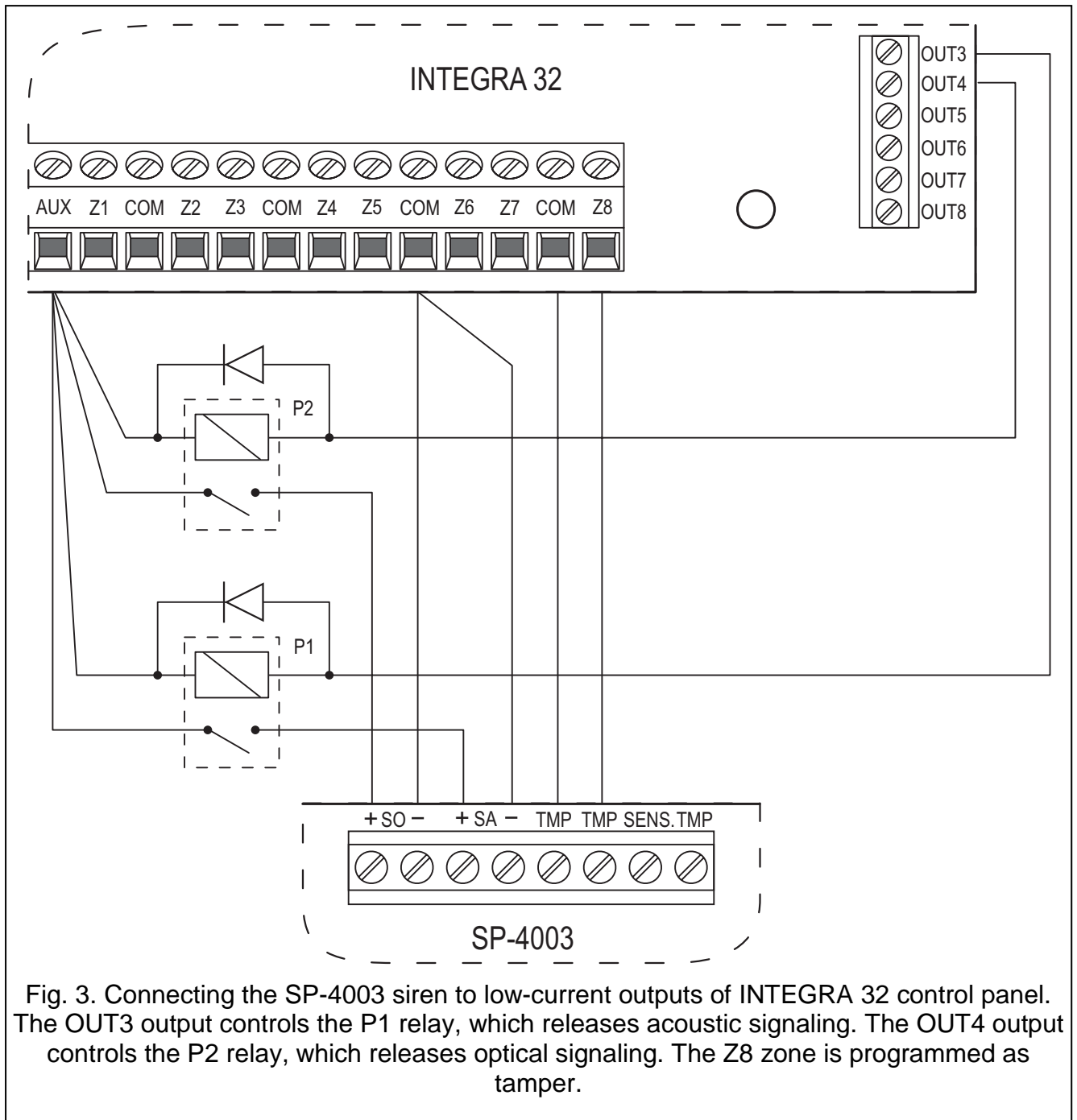


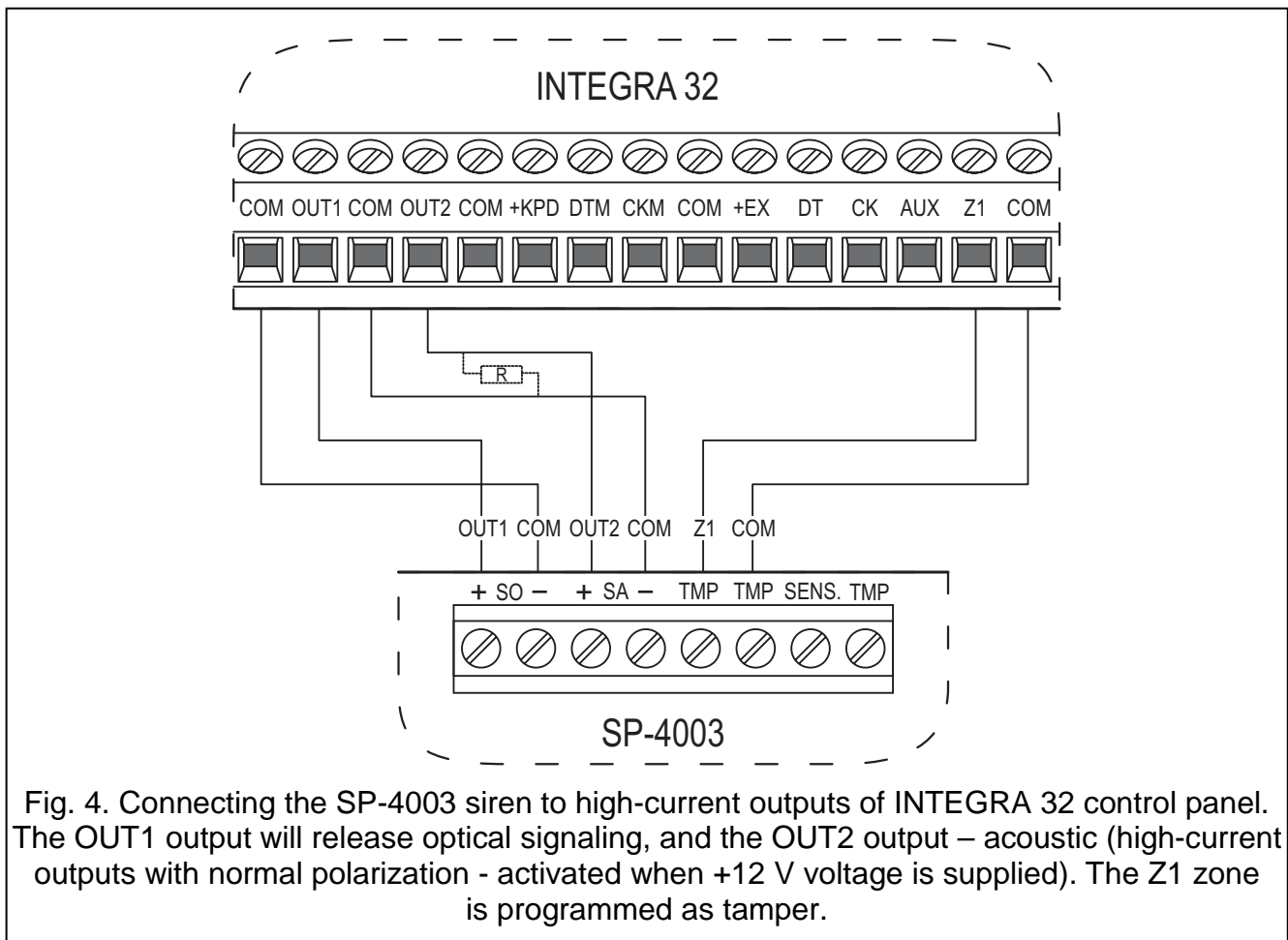
Fig. 2. Jumper settings to obtain required sound signal.

By setting jumpers on the pins **JP1–JP5** you can select one of the three sound signals for alarm signaling.

Note: *Some control panels may require that a resistance R (approx. $1k\Omega$) be connected between the +SA- terminals in the siren. Otherwise, the device will be gently buzzing when switched off.*

Both kinds of signaling can be controlled from one control panel output if the terminals are connected in parallel i.e. +SA with +SO and -SA with -SO.





3. Technical data

| | |
|---|-------------------|
| Nominal power supply..... | 12 V DC \pm 15% |
| Mean current consumption when signaling | |
| optical signaling | 250 mA |
| acoustic signaling | 200 mA |
| Working temperature range | -35°C...+55° C |
| Sound pressure..... | approx. 120 dB |
| Enclosure dimensions..... | 148x254x64 mm |
| Weight..... | 894 g |

SATEL sp. z o.o.
 ul. Schuberta 79
 80-172 Gdańsk
 POLAND
 tel. + 48 58 320 94 00
 info@satel.pl
 www.satel.pl

Latest EC declaration of conformity and product approval certificates can be downloaded from our web site www.satel.pl

