

ZONE EKSPANDER CA10E

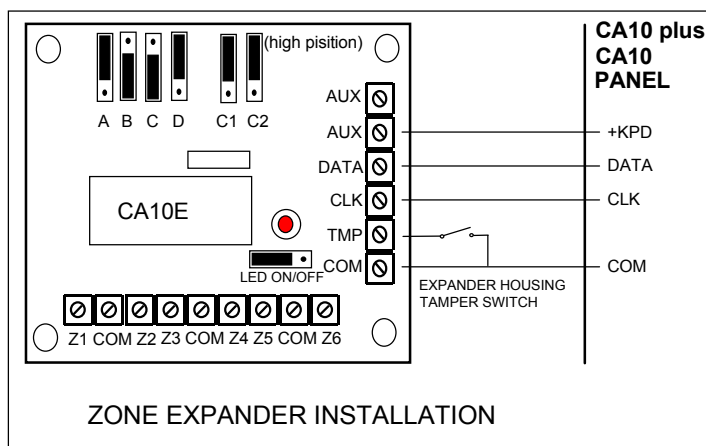
Satel®

ca10e_e 09/01

Zone expander completes panel to 16 zones when there are less than four keypads.

Jumpers ABCD are used to set the expander's address. Jumpers C1 and C2 setting depend on amount of connected keypads. Jumpers shortings must be put on (in high or low position) – do not leave pins with no shorting at all.

TMP input must be shorted to COM - opening it recognized as keypad tamper alarm.



PANEL CONFIGURATIONS WITH EXPANDER

1 keypad and expander:

- keypad connected as first keypad (to CLK1)
- expander connected as second keypad - to CLK2
- jumpers C1 and C2 in "high" position
- expander terminals Z1÷Z6 available as Zone11÷Zone16
- expander address programmed as address of keypad 2, 3 and 4 (use FS124 to program addresses)

2 keypad and expander:

- keypads connected as first and second keypad (to CLK1 and CLK2)
- expander connected as third keypad - to CLK3
- jumpers C1 in "high" position and C2 in "low" position
- expander terminals Z1÷Z4 available as Zone13÷Zone16
- expander address programmed as address of keypad 3 and 4 (use FS124 to program addresses)

3 keypad and expander:

- keypads connected as first, second and third keypad (to CLK1, CLK2 and CLK3)
- expander connected as third keypad - to CLK4
- jumpers C1 and C2 in "low" position
- expander terminals Z1÷Z2 available as Zone14÷Zone16
- expander address programmed as address of keypad 4 (use FS124 to program addresses).