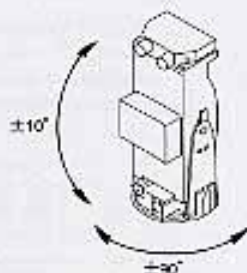


4 INSTALLATION

The units can be mounted easily on a pole or flat surface.

● Direction by rotary mirror.

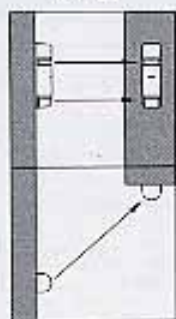
Using the adjustment dial and adjustment screws, the mirrors can move horizontally (± 90 degrees) and vertically (± 10 degrees) allowing the sensor to work in all directions.



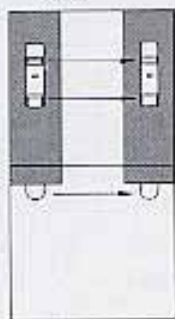
(Ex.1)



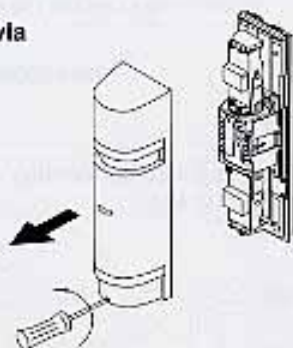
(Ex.2)



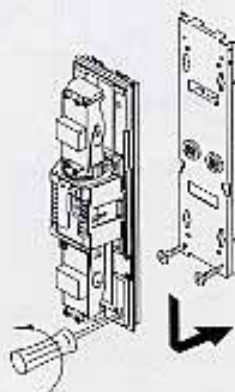
(Ex.3)



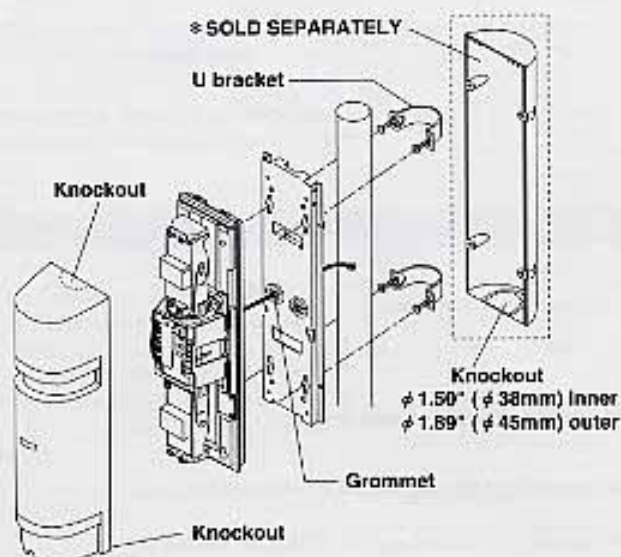
1) Remove cover via screw at base of cover.



2) Loosen screws that fix the sensor body on the mounting plate, and slide the mounting plate downward to detach it.

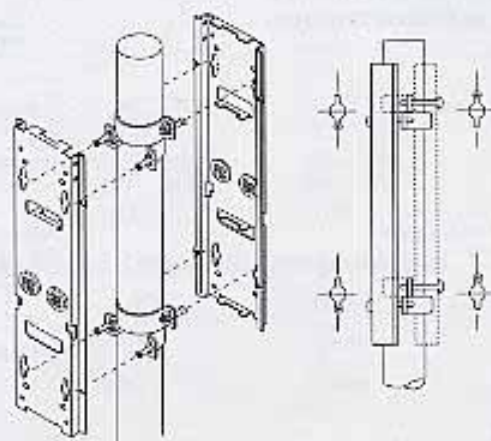


- Attach U brackets to pole and secure to mounting plate with screws.
- Attach sensor body.
- Pull through wire.
- Connect terminals.
- Attach covers. (Break knockouts on cover and pole cover to adapt to pole diameter and configuration.)



※ Pole mounting back to back.

- Attach four U brackets to poles in two pairs, one on top of the other, facing opposite directions. (See illustration.)



- ※ The grommet is compatible with a wire of ϕ 3mm to ϕ 6mm outer dia. When a wire of more than ϕ 6mm outer dia. is used, cut off the dotted line portion on the below figure by pliers or the like. Then make corking to prevent insects from entering into the unit.

