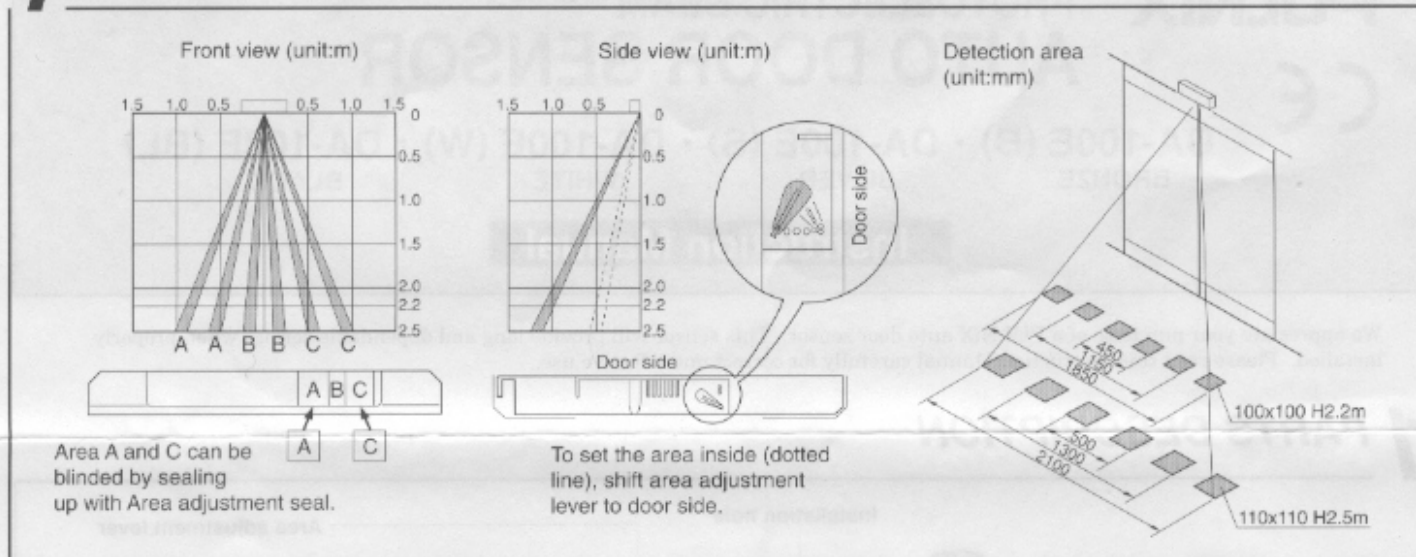


# 4 ADJUSTMENT OF DETECTION AREA

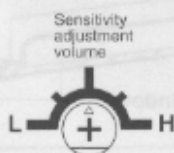


# 5 OPERATION CHECK

After the installation and wiring, supply power and check if operation LED turns off when human is detected. (Detection : OFF)

If not, or work wrongly, adjust area again. If still not, turn sensitivity adjustment volume. When human can not be detected in the area, turn volume to H side. (Sensitivity up)

When sensor works wrongly (human is not in the area, but sensor issues signal), turn volume to L side. (Sensitivity down)



# 6 TROUBLE SHOOTING

Symptom	Possible cause	Remedy
Inactive	<ul style="list-style-type: none"> <li>Broken / improper wiring</li> <li>Improper area adjustment</li> <li>Detection window is soiled</li> </ul>	<ul style="list-style-type: none"> <li>Check / correct wiring</li> <li>Adjust again</li> <li>Wipe the detection window with cleaner</li> </ul>
Sometime Inactive	<ul style="list-style-type: none"> <li>Improper area adjustment</li> <li>Low sensitivity</li> <li>Improper wiring</li> </ul>	<ul style="list-style-type: none"> <li>Adjust again</li> <li>Raise sensitivity</li> <li>Check / correct wiring</li> </ul>
Malfunction	<ul style="list-style-type: none"> <li>There is an object which shakes in the detection area</li> <li>High sensitivity</li> </ul>	<ul style="list-style-type: none"> <li>Take the object away</li> <li>Reduce sensitivity</li> </ul>

## SAFETY INSTRUCTIONS

Do not supply power except for indicated voltage. It may cause fire or electric shock.

The capacity of contact out put is within 50VDC 0.1A. Do not let total load exceed this capacity. It may cause fire.

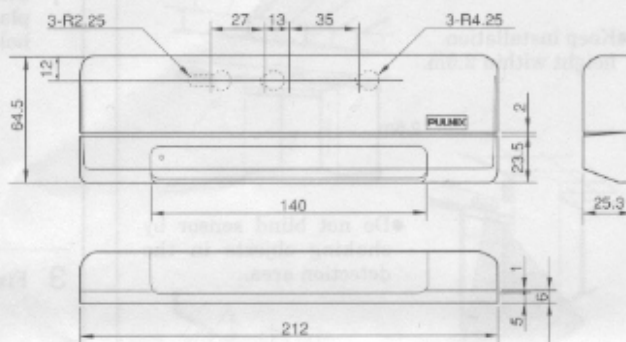
Do not break up sensor or do not touch its inside. It may cause fire or electric shock.

# 7 SPECIFICATIONS

Model No.	DA-100E(B)	DA-100E(S)	DA-100E(W)	DA-100E(BL)
Detection system	Near infrared beam direct reflection			
Detection area	Height 2500mm, width 2100mm (Max.)			
Sensitivity adjustment	Sensitivity volume			
Area adjustable angle	10° to 24° (3.5° × 4 steps)			
Power supply	12/24VDC or 100VAC 50/60Hz			
Power consumption	80mA or less at 12/24VDC, 2VA or less at 100VAC			
Contact output	Dry contact relay N/O, 50VDC 0.1A or less			
Output time	Approx. 1sec.			
LED	Operation : ON Detection : OFF			
Ambient temperature range	-10°C to +50°C			
Weight	160g			
Appearance	Bronze	Silver	White	Black
Accessory	Connection code 2m, screw × 2, area adjustment seal			

# 8 EXTERNAL DIMENSIONS

(Unit:mm)



## Limited Warranty :

PULNiX products are warranted to be free from defects in material and workmanship for 12 months from original date of shipment. Our warranty does not cover damage or failure caused by Acts of God, abuse, misuse, abnormal usage, faulty installation, improper maintenance or any repairs other than those provided by PULNiX. All implied warranties with respect to PULNiX, including implied warranties for merchantability and implied warranties for fitness, are limited in duration to 12 months from original date of shipment. During the Warranty Period, PULNiX will repair or replace, at its sole option, free of charge, any defective parts returned prepaid. Please provide the model number of the products, original date of shipment and nature of difficulty being experienced. There will be charges rendered for product repairs made after our Warranty Period has expired.

# TAKEX TAKENAKA ENGINEERING CO., LTD.

**In Japan**  
 Takenaka Engineering Co., Ltd.  
 60-1, Ohbayashi-cho, Kitakawan,  
 Yamashina-ku, Kyoto 607-8482, Japan  
 Tel : 075-501-6651  
 Fax : 075-593-3816  
<http://www.takex.co.jp/>

**In the U.S.**  
 Pulnix Sensors Inc.  
 1330 Orleans Drive Sunnyvale,  
 CA 94089, U.S.A.  
 Tel : 408-747-0100  
 Fax : 408-734-1100  
<http://www.pulnix-sensors.com/>

**In Australia**  
 Pulnix Sensors Inc.  
 Unit 16, 35 Garden Road,  
 Clayton, 3168 Victoria, Australia  
 Tel : 03-9546-0533  
 Fax : 03-9547-9450  
<http://www.pulnix-sensors.com.au/>

**Pulnix Sensors Inc.**  
 Brisbane office : 1/50 Logan  
 Road, Woolloongabba  
 Queensland 4102, Australia  
 Tel : 07-3891-3344  
 Fax : 07-3891-3355

**In the U.K.**  
 Pulnix Europe Ltd.  
 Pulnix House, Aviary Court,  
 Wade House, Basingstoke,  
 Hampshire, RG24 8PE, U.K.  
 Tel : 01256-475555  
 Fax : 01256-466268

**In Germany**  
 Pulnix Europe Ltd.  
 Industriepark Steinbruch 5,  
 63755, Alzenau Germany  
 Tel : 06023-4666/06023-4668  
 Fax : 06023-4667