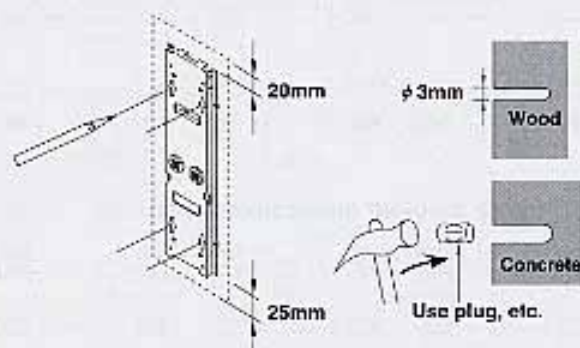


※ Wall mounting

(1) Make holes in wall.

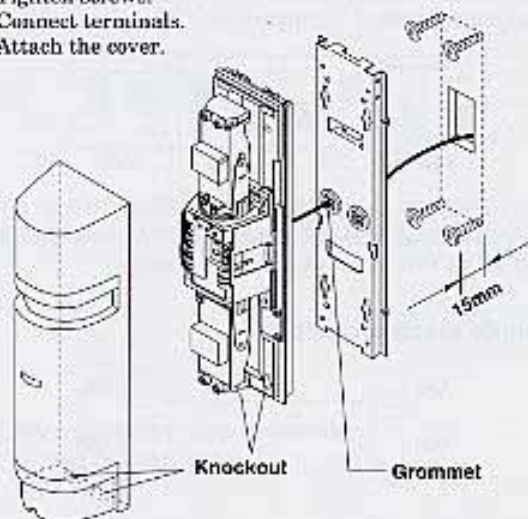
- Place the mounting plate on wall as a template for drilling and mark the screw holes. (Allow a space 3/4" (20mm) above the plate and 1" (25mm) below the plate. This will provide easy detachment of the cover after installation.)



- Pre-drill on wall.
Concrete wall : Refer to specification of the securing plug used.
Wooden wall : 3mm dia.

(2) Install the sensor.

- Insert mounting screw leaving 1/2" (15mm) exposed.
- Install the mounting plate on exposed screws.
- Pull through wire.
- Tighten screws.
- Connect terminals.
- Attach the cover.



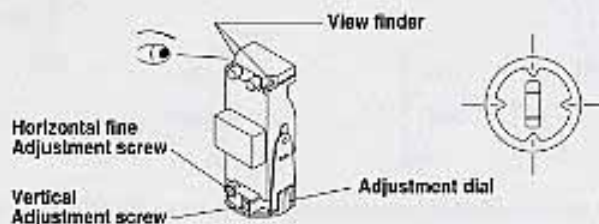
Note 1) The unit can not be installed in an outlet box. But the outlet box can be used for wire-lead.

Note 2) When exposed wired, break knockouts on the unit and cover.

5 ADJUSTMENT OF ANGLE

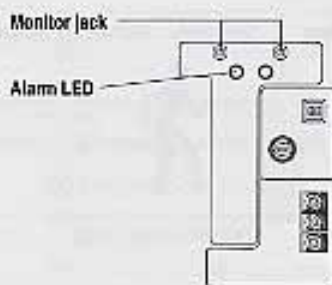
① Adjust optical angle.

- 1) Look through view finder on either side of upper transmitter optical unit and move until receiver unit is visible.
- 2) Repeat the procedure for lower optical unit, and then repeat on receiver.



② Fine tuning

- 1) Attach the shading plate to the lower optical for fine tuning the upper optical.
- 2) Adjust the optics with the adjustment screws until alarm LED turns off.

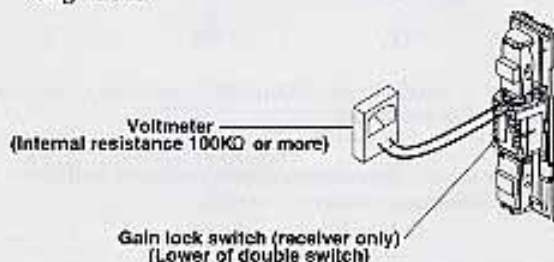


- Beam alignment using voltmeter.

A precise alignment can be accomplished by using a voltmeter.

Check the monitor output by pushing the gain lock switch with the accessory fixer or a thin object that is not sharp. The following figures for alignment are the levels for either upper or lower optical. (Not for both optical.)

* Do not forget to take off the fixer or object after alignment.



Voltage reading	Alignment
1.5V or more	Beat
1.0 to 1.5V	Good
1.0V or less	Poor, Re-adjust

- 3) Attach the shading plate to the upper optical and repeat the same procedure.

- ③ Put back the shading plate to where it was and attach the cover.