

# PULNiX LOW CURRENT PHOTOELECTRIC BEAM SENSOR [INTELLIGENT]

PB-IN-75SW : OUTDOOR 248 ft. (75m)

## Instruction Manual

Thank you for purchasing our "intelligent" quad photoelectric beam.  
This unit will provide long term, dependable service when properly installed.  
Please read the Instruction Manual carefully for correct and effective use.

**Please note :** This sensor is designed to detect intrusion and initiate an alarm ; it is not a burglary-preventing device.  
PULNiX is not responsible for damage, injury or losses caused by accident, theft, Acts of God (including inductive surge by lightning), abuse, misuse, abnormal usage, faulty installation or improper maintenance.

### [FEATURE]

#### • Four synchronized beams

4 beams are "and-gated" which helps to prevent false alarms from flying debris and small animals.

#### • Four frequency selections

4 separate choices of frequency avoids cross-talk in stacked or long linear installations.

#### • Environmental module

Environmental trouble signal is sent when beam reception level is reduced in bad weather to contend with fog, rain, or frost.

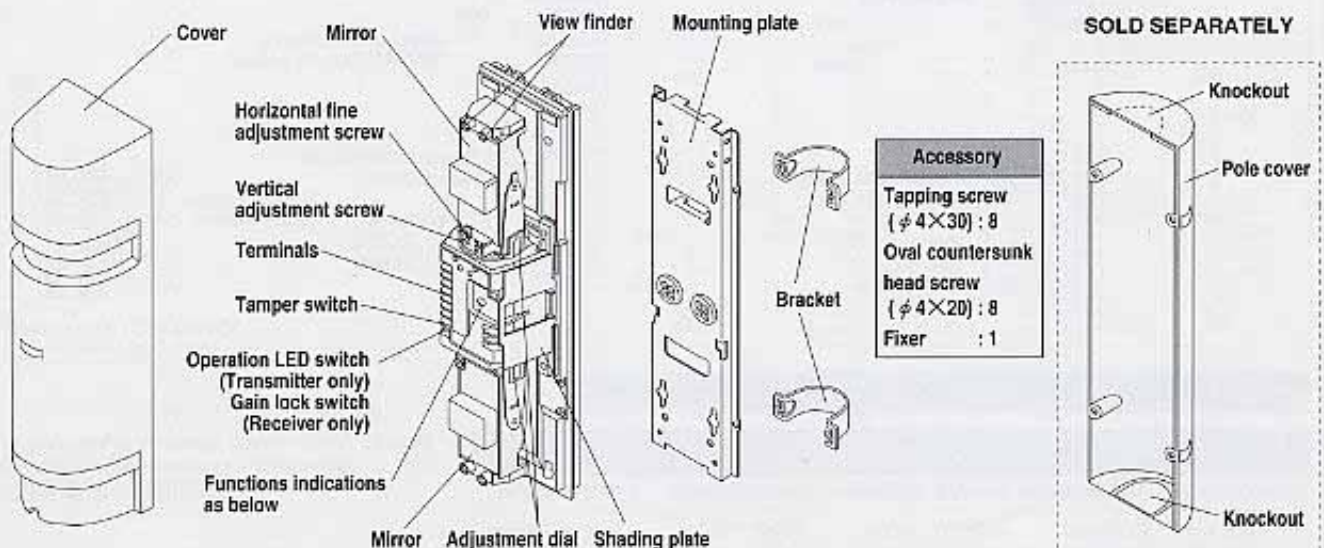
#### • Low current consumption

Low current consumption enables to connect with low current capacity control panel, and power supply from solar panel.

#### • Other features

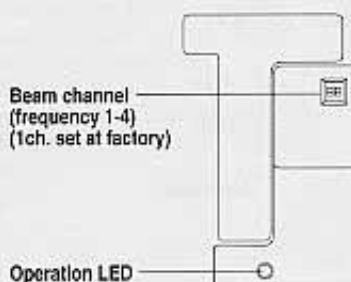
Monitor output, Response time changeover, Tamper output.

## 1 PARTS DESCRIPTION



### Functions / Indications

#### [Transmitter]



#### [Receiver]

