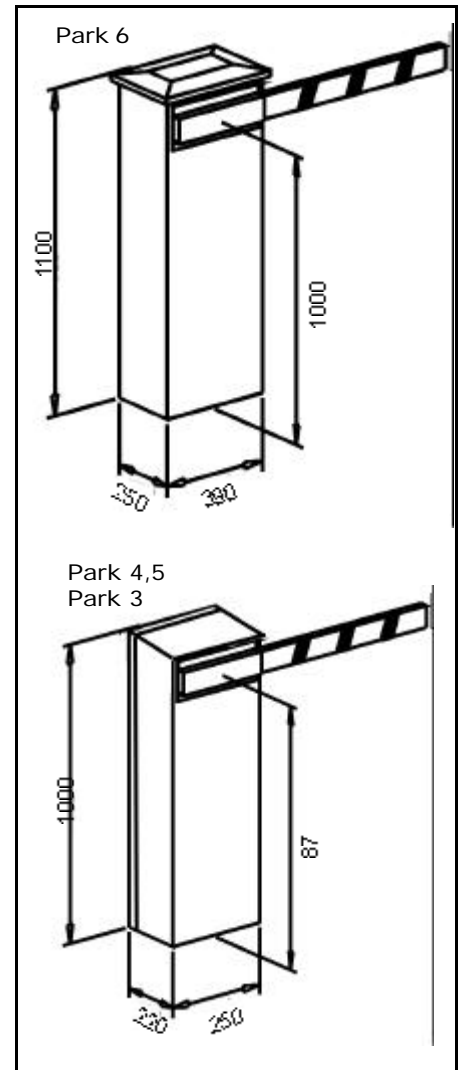


**TECHNICAL FEATURE**

		<b>Park 3</b>	<b>Park 4,5</b>	<b>Park 6</b>
Power supply	V	230 V ~	230 V ~	230 V ~
Motor power	W	300	300	330
Absorption	A	1,2 - 1,7	1,2 - 1,7	1,4
Termic protection	°C	135°C		
Working temperature	°C	-35°C +80°C		
Revs speed	g/mj	1400		450
Opening Time	sec	5	12	15
Capacitor	µF	10	10	20
Left max.	mt.	3	4,5	6

**DIMENSIONS**



**PARK 3**

Quick road gate for passages up to 3 m, with control unit Q35S, 5" opening

**PARK 4,5**

Road gate for passages up to 4,5 m, with control unit Q35S, 15" opening

**PARK 6**

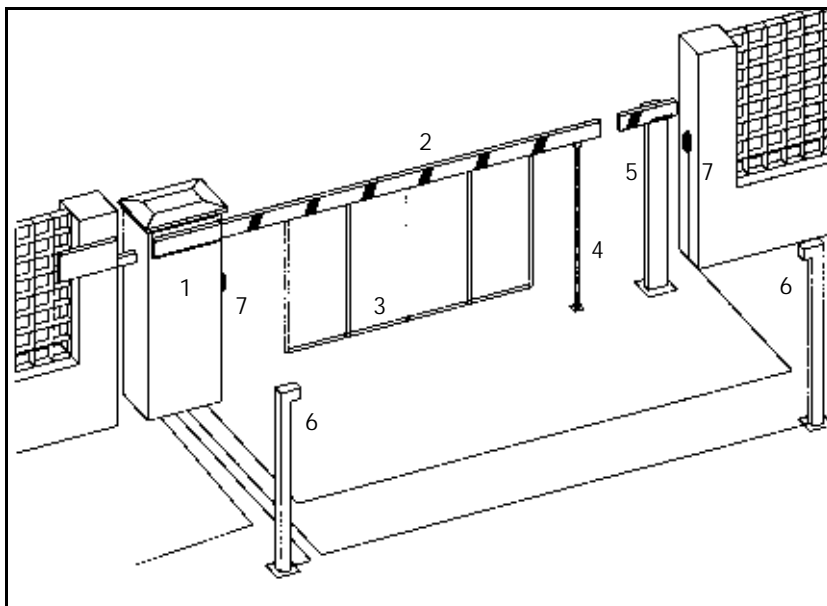
Industrial road gate for passages up to 6 m, with control unit Q35S, 15" opening

Body in galvanized and pre-painted sheet-iron completed with fixed set and shutter protected by a lock

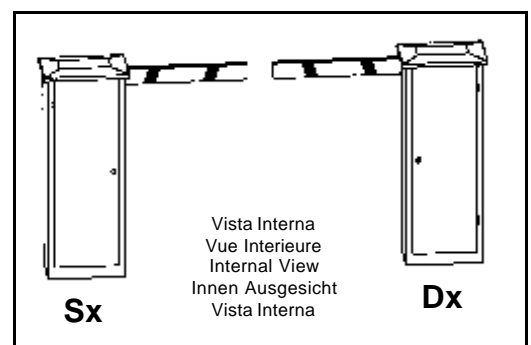
**ACCESSORIES**

- G 101** Aluminium Rod 6 m.
- G 102** Aluminium Rod 4,5 m.
- G 103** Aluminium Rod 3 m.
- G 105** Moving support
- G 106** Fixed support
- G 106/3** Fixed support for round rod Ø 45 mm
- G 107** Mobil apron for rod of max mt. 4 for Park 6
- G 107H** Mobil apron for rod high model for Park 4,5 and Park 6
- G 108** Counterweight Braket (Suitable for rod more than 4 m with apron)
- G 109** Counterweight (Suitable for rod more than 4 m with apron)
- G 110** Releasing device for Park rod with 2 bars rod

**OPERATIONAL DIAGRAM**



- 1 Road gate
- 2 Aluminium road
- 3 Tablier
- 4 Moving support
- 5 Fixed support
- 6 Phocell column
- 7 Counterweight
- 8 Photocell



Vista Interna  
Vue Interieure  
Internal View  
Innen Ausgesicht  
Vista Interna

**Sx**

**Dx**