

- For indoor installation
- Made of aluminium epoxy powder painted



**MIS** • Mount for 9"-12", 12"-14" monitors, consist of modular elements, made of extruded aluminium and aluminium tube, painted with dark grey color epoxy polyester powder. The mounting system comes with tie-rods and corner adaptors covered with rubber prevents the monitor from being damaged.

**MID** • Double tie-rod mount for 14"-21", 21"-28" monitors, consisting of modular elements, made of extruded aluminium and aluminium tube, painted with dark grey color epoxy polyester powder. The mounting system comes with tie-rods and corner adaptors covered with rubber prevents the monitor from being damaged.

**MHSW1** • Wall bracket, made of aluminium tube and steel tray, painted with dark grey color epoxy polyester powder. The monitors must be suitable for the screw fixing to the support base. For small monitors: 9"-12"-14".

**MWM** • Wall mount bracket painted with dark grey color.

**MCMB** • Ceiling mount bracket painted with dark grey color.

**WCMPB** • Extension for ceiling mount bracket painted with dark grey color.



## TECHNICAL DATA

MONITOR MOUNTS	
<b>MONITOR MOUNTS</b>	
<b>MIS1-M1</b>	Monitor hanger 9"-12" (212.5-325mm)
<b>MIS2-M1</b>	Monitor hanger 12"-14" (275-377.5mm)
<b>MID3-M1</b>	Monitor hanger 14"-21" (367.5-532.5mm)
<b>MID4-M1</b>	Monitor hanger 21"-28" (510-675mm)
<b>SUPPORTS</b>	
<b>MHSW1</b>	9"-12"-14" wall monitor mount
<b>ACCESSORIES</b>	
<b>MWM1</b>	Wall bracket for monitor hanger for mod. MIS
<b>MWM4</b>	Wall bracket for monitor hanger for mod. MID
<b>MCMB</b>	Ceiling bracket for monitor mount
<b>WCMPB</b>	500mm extension for MCMB

### GENERAL

Made of extruded aluminium and aluminium tube (MIS, MID)

Made of aluminium tube and steel tray (MHSW1)

Made of aluminium tube (MWM, MCMB, WCMPB)

Painted with dark grey epoxy polyester powder

Rubber protection for monitor (MIS, MID)

### MECHANICAL

#### MIS1-M1

Dimensions: min 210x210mm (8.3x8.3in), max 320x350mm (12.6 x13.7in)

Load rating: 20kg (44lb)

#### MIS2-M1

Dimensions: min 255x 210mm (10x8.3in), max 370x350mm (14.6x13.7in)

Load rating: 25kg (55lb)

#### MID3-M1

Dimensions: min367x367mm (14.4x14.4in), max 532x532mm (20.9x20.9in)

Load rating: 35kg (77lb)

#### MID4-M1

Dimensions: min 510x510mm (20x20in), max 675x675mm (26.5x26.5in)

Load rating: 40kg (88lb)

#### MHSW1

Wall mounting

Horizontal axle base for the screw fixing: min 210mm, max 220mm

Vertical axle base for the screw fixing: min140mm, max 269mm (to obtain a vertical axle base of 112mm rotate the two bars of 180°)

Load rating: 25kg (55lb)

#### MWM1

For mod. MIS

Wall mounting

Load rating: 60kg (13lb)

#### MWM4

For mod. MID

Wall mounting

Load rating: 60kg (132lb)

#### MCMB

Ceiling mounting

Load rating: 60kg (132lb)


#### WCMPB

Extension for MCMB

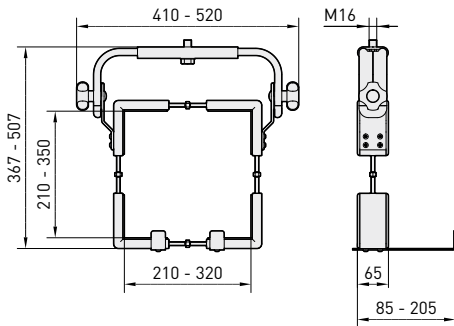
Length: 500mm

### ENVIRONMENT

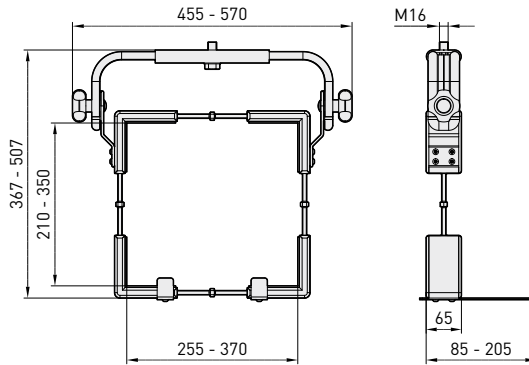
Indoor

	<b>Unit Weight:</b>	<b>Package Weight:</b>	<b>Package Dimensions (BxHxL):</b>	<b>Master Carton:</b>
	<b>MIS1-M1</b> 2.4kg / 5.2lb	<b>MIS1-M1</b> 2.6kg / 5.7lb	<b>MIS1-M1</b> -	<b>MIS1-M1</b> 10 units
	<b>MIS2-M1</b> 2.5kg / 5.5lb	<b>MIS2-M1</b> 2.6kg / 5.7lb	<b>MIS2-M1</b> -	<b>MIS2-M1</b> 10 units
	<b>MID3-M1</b> 5kg / 11lb	<b>MID3-M1</b> 7kg / 15.4lb	<b>MID3-M1</b> 58x64x20cm / 22.8x25.2x7.8in	<b>MID3-M1</b> -
	<b>MID4-M1</b> 7kg / 15.4lb	<b>MID4-M1</b> 8.5kg / 18.7lb	<b>MID4-M1</b> 76x76x20cm / 29.9x29.9x7.8in	<b>MID4-M1</b> -
	<b>MHSW1</b> 3.4kg / 7.4lb	<b>MHSW1</b> 3.6kg / 7.9lb	<b>MHSW1</b> 10.5x36x34cm / 4.1x14.2x11.1in	<b>MHSW1</b> 6 units
	<b>MWM1</b> 1.4kg / 3lb	<b>MWM1</b> 2.2kg / 4.8lb	<b>MWM1</b> 9x46x52 / 3.5x18x20.4	<b>MWM1</b> 10 units
	<b>MWM4</b> 1.9kg / 4lb	<b>MWM4</b> 2.4kg / 5.2lb	<b>MWM4</b> 76x76x20cm / 29.9x29.9x7.8in	<b>MWM4</b> 9 units
	<b>MCMB</b> 1.7kg / 3.7lb	<b>MCMB</b> 1.9kg / 4.1lb	<b>MCMB</b> 19x9x105.5cm / 7.5x3.5x41.5in	<b>MCMB</b> -
	<b>WCMPB</b> 0.5kg / 1.1lb	<b>WCMPB</b> 0.6kg / 1.3lb	<b>WCMPB</b> 6x6x58.5cm / 2.3x2.3x23in	<b>WCMPB</b> -

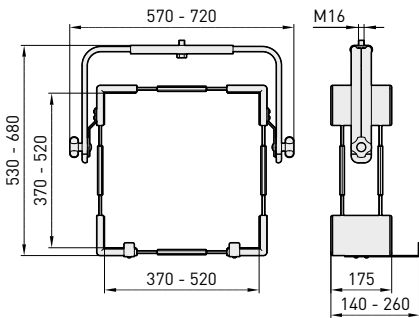
**MIS1-M1**



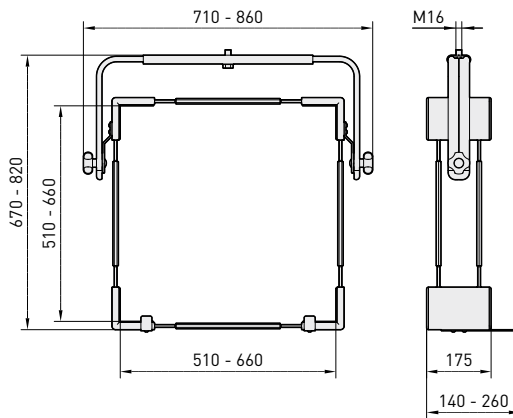
**MIS2-M1**



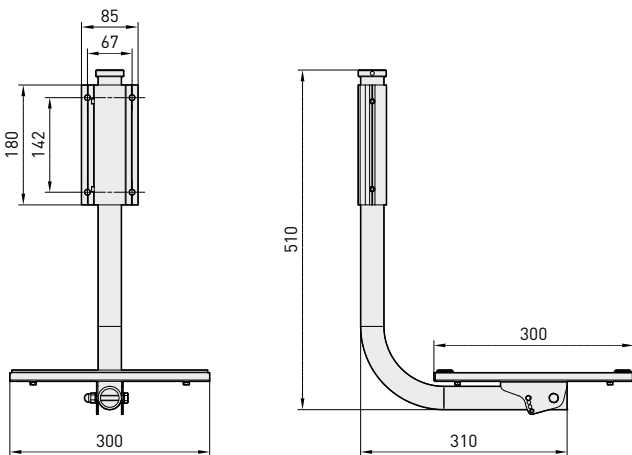
**MID3-M1**



**MID4-M1**

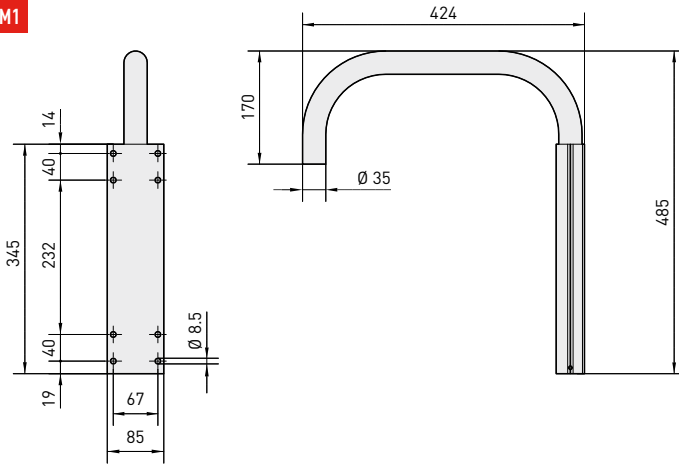


**MHSW1**

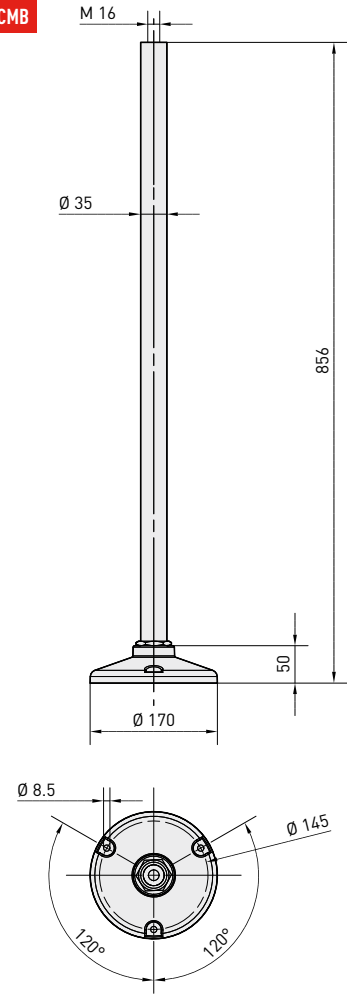


The values are in millimeters.

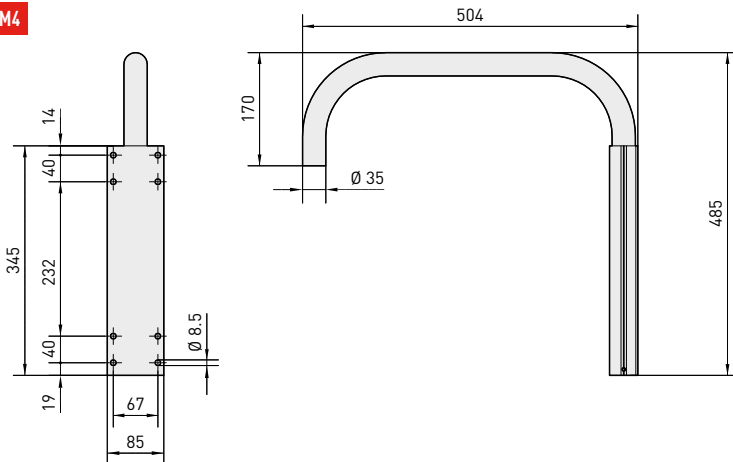
**MWM1**



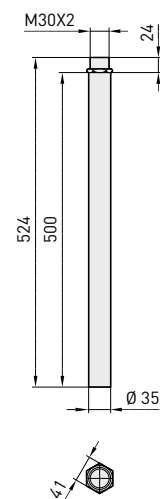
**MCMB**



**MWM4**



**WCMPB**



The values are in millimeters.