

- Indoor/Outdoor installation
- Internal support for camera or adjustment for speed dome and network cameras
- Protection rating IP65
- Fan-assisted heater

DBH24K0F028 + DBH04



DBH24K0F022 + DBH05

Small diameter spherical housing for indoor and outdoor installations. Made of plastic, its special design allows it to be camouflaged to look like a normal lighting system, thus allowing discreet surveillance of the area. The lower hemisphere is available in a semitransparent black PMMA that allows the loss of only one F-stop of luminosity from the camera. A version with the lower hemisphere in clear PMMA is also available.

Easy to install, this model can house 1/2", 1/3" and 1/4" cameras equipped with a fixed focus or small zoom lenses and some types of high speed dome and network cameras. The housing and its accessories allow it to be attached to the ceiling or wall allowing for internal passage and protection of the cables.

It is ordered as a base model with internal adapters for various cameras, speed domes, or network cameras and includes sunshield and fan-assisted heater.

Half-sphere also available in transparent PMMA.

### DBH24 ADAPTORS

	Models	Adaptor for DBH24	Heater 230V AC	Heater 24V AC	Heater 12V DC
FIXED CAMERA		ODBH24H000			
		ODBH24H100	•		
		ODBH24H200		•	
		ODBH24H300			•
AMERICAN DYNAMICS - SENSORMATIC	ULTRA V, ULTRA VI, DELTA DOME II	ODBH24H221		•	
AXIS	213, 2130R	ODBH24H144	•		
	213, 2130R	ODBH24H244		•	
	214	ODBH24H151	•		
	214	ODBH24H251		•	
	231, 232	ODBH24H149	•		
	231, 232	ODBH24H249B		•	
CANON	VB-C50IR	ODBH24H144	•		
	VB-C50IR	ODBH24H244		•	
GANZ	ZC-S122P, ZC-S123P	ODBH24H141	•		
	ZC-S122P, ZC-S123P	ODBH24H241		•	
JVC	TK-C676, VN-C655	ODBH24PS23 (with power supply)	•		
	TK-C676, VN-C655	ODBH24H223		•	
PANASONIC	WV-CS320, WV-CS570, WV-CS850, WV-NS320, WV-NS324	ODBH24H121	•		
	WV-CS320, WV-CS570, WV-CS850, WV-NS320, WV-NS324	ODBH24H221		•	
	WV-CS950	ODBH24H149	•		
	WV-CS954	ODBH24H249B		•	
	BB-HCM381, BB-HCE481	ODBH24H150	•		
SAMSUNG TECHWIN SPD	SPD-1600P	ODBH24H132	•		
	SPD-1600P	ODBH24H232		•	
SAMSUNG ELECTRONICS	SCC-643P	ODBH24H136	•		
	SCC-643P	ODBH24H236		•	
SANYO	9300P, 9400P	ODBH24H141	•		
	9300P, 9400P	ODBH24H242		•	
SONY	SNC-RZ30P, EVI-D70P/W	ODBH24H142	•		
	SNC-RZ30P, EVI-D70P/W	ODBH24H242		•	
	SNC-RZ25P	ODBH24H248		•	
TOSHIBA	IK-WB21A, IK-WB21E	ODBH24H152	•		
	IK-WB21A, IK-WB21E	ODBH24H252		•	

# DBH24K

## SPHERE FOR DISCRETE SURVEILLANCE



### TECHNICAL DATA

#### GENERAL

Built in plastic material, black colour (Nylon with mineral additives)  
 Lower hemisphere in PMMA, colour: semitransparent black or transparent  
 Sunshield in ABS material colour RAL9002

#### MECHANICAL

External Dimensions with sunshield Ø 326x325mm (12.8x12.8in)

#### ELECTRICAL

**Fan assisted heater, Ton 15°C +/-3°C (59°F +/-5°F) Toff 22°C +/-3°C (71°F +/-5°F)**

- IN 12V DC, consumption 24W max
- IN 24V AC, consumption 24W max
- IN 230V AC, consumption 44W max

#### Fixed camera power supply

- IN 230V AC - OUT 12V DC, 50Hz, 400mA max
- IN 230V AC - OUT 24V AC, 50Hz, 400mA max

#### ACCESSORIES

- OBH24PS1** Power supply IN 230V AC - OUT 12V DC
- OBH24PS2** Power supply IN 230V AC - OUT 24V AC

*Check the available internal adaptors in the related chart*

#### RELATED PRODUCTS

- DBH03** Ceiling mount
- DBH04** Wall mount
- DBH05** Parapet mount
- DPTCH** Pole adaptor DBH04
- DCWGH** Corner adaptor for DBH04

#### ENVIRONMENT

Indoor / Outdoor  
 Operating temperature with heater: -20°C / + 50°C [-4°F / +122°F]  
 Operating temperature with network camera: -20°C / +30°C [-4°F / 86°F]

#### COMPLIANCE TO

CE according to EN 61000-6-3, EN 60065, EN 50130-4  
 IP65 EN 60529

#### SPARE PARTS LIST

- OPLEX24F** Smoked bubble
- OPLEX24T** Transparent bubble
- OBH24H1** Fan assisted heater IN 230V AC
- OBH24H2** Fan assisted heater IN 24V AC
- OBH24H3** Fan assisted heater IN 12V DC

9

9  
 DOME ENCLOSURES



**Unit Weight:**  
**DBH24K** 2.7kg / 5.9lb

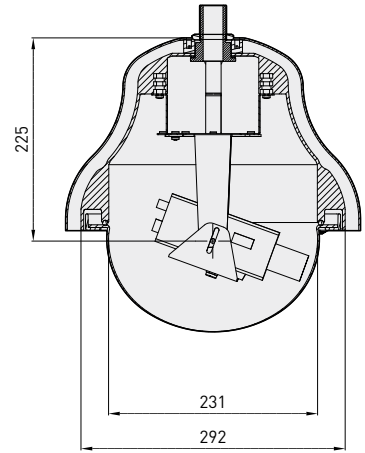
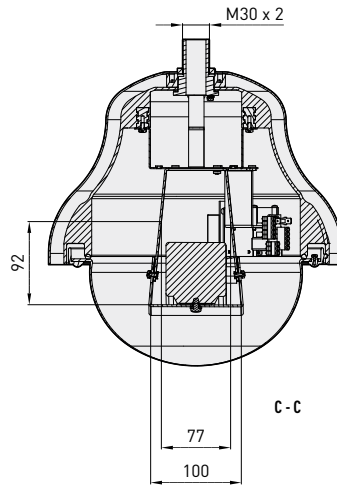
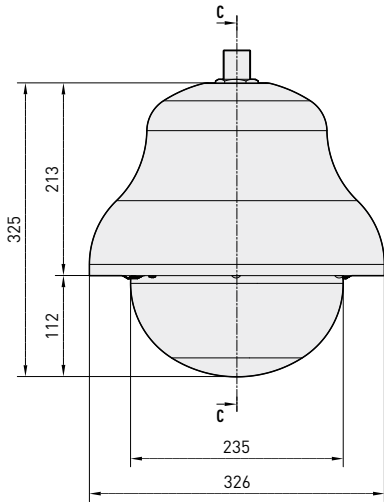
**Package Weight:**  
**DBH24K** 4.2kg / 9.3lb

**Package Dimensions (BxHxL):**  
**DBH24K** 38.5x38.5x47cm / 15.1x15.1x18.5in

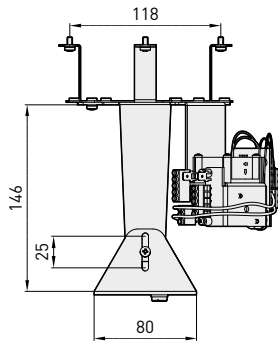
**Master Carton:**  
**DBH24K** -

# DBH24K

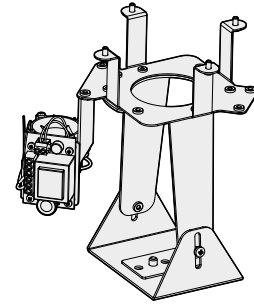
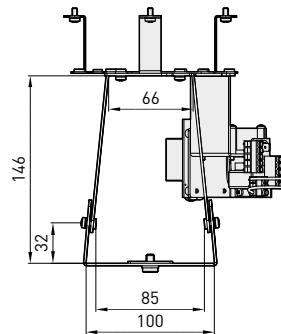
## SPHERE FOR DISCRETE SURVEILLANCE



9  
DOME ENCLOSURES



FIXED CAMERA ADAPTOR



The values are in millimeters.