

- Sturdy supports with internal cable channel
- Adapters for different installation requirements
- Washer pumps and reservoirs in different versions
- Reinforced heaters

UPTWBA • Wall bracket with internal cable management made of die-cast aluminium and painted with powder. It can be combined with pole or corner mount adapters allowing for installation on several surfaces.

UPTWBTA • Parapet bracket with internal cable management made of die-cast aluminium and painted with powder.

Washer pumps for wiper with 25l reservoir • Available in 230V AC (UPTWAS01B) or 24V AC (UPTWAS02B). The standard pump guarantees a delivery up to max 5m, while the version with the high delivery (UPTWASA01B) up to 30m. It is possible to adjust the articulated nozzle of the pump associating it to a preset in order to obtain the desired position of the wiper and sprinkle functions. The pumps, equipped with relay, allow the direct connection to Ulisse. Further, in the high delivery version, the lack of liquid in the reservoir is signalled to the operator with the stop of the pump itself.

UPTHT1 - UPTHT2 • Reinforced heater for low temperature applications. This system, easy to install inside the integrated HOV housing, permits the heat to be uniformly distributed. On versions with motorised lens (UPTHT1), the correct working at -30°C (-22°F) is assured with lens guaranteed with operating temperature -20°C (-4°F). For the version with block camera Sony (UPTHT2), the operating lowest temperature of Ulisse goes down to -30°C (-22°F).



OPERATING SEQUENCE WITH WIPER AND WASHER



UPTWBTA



UPTWBA



UPTWAS

UPTWASA01B

TECHNICAL DATA

GENERAL

Supports

Made by die-cast aluminium

Painted with epoxy polyester powder, RAL9002

Washer pump and tanic of 25 liters

Dimensions (BxHxL): 301x458x347.5mm (11.8x18.0x13.7in)

Reservoir capacity: 25l (6.6gal)

Delivery head: max 5m (1.6ft)

Tube length: 4m (13ft)

IN 230V AC, consumption 12W max

IN 24V AC, consumption 12W max

IP56

Supplied with instruction manual and antifreezing liquid

Washer pump and tanic of 25 liters, high delivery up to 30m

Dimensions (BxHxL): 710x300x270mm (28x12x11in)

Reservoir capacity: 25l (6.6gal)

Delivery head: max 30m (98ft)

Tube length: 30m (98.5ft)

IN 230V AC, consumption 600W max

IP45

Supplied with instruction manual and antifreezing liquid

Heater kit

Reinforced heater for generic lens/camera (UPTHT1): IN 24V AC, consumption 30W

Reinforced heater for block camera Sony (UPTHT2): IN 24V AC, consumption 30W

PART NUMBER

UPTWBA Wall bracket with internal cable channel

UPTWBTA Parapet bracket with internal cable channel

UPTWAS01B Tank 25L, 230V AC washer pump

UPTWAS02B Tank 25L, 24V AC washer pump

UPTWASA01B Tank 25L, 230V AC washer pump, high delivery up 30m (98.4ft)

UPTHT1 Reinforced heater for generic lens/camera 24V AC, 30W

UPTHT2 Reinforced heater for block camera Sony 24V AC, 30W

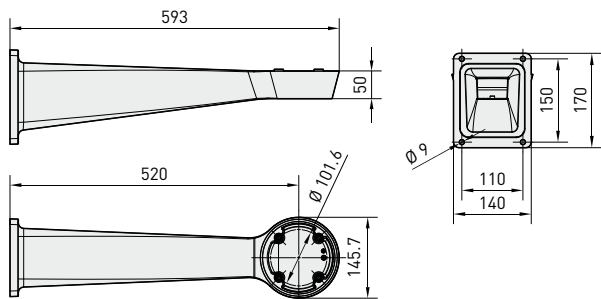
RELATED PRODUCTS

PTCC Pole mount adapter

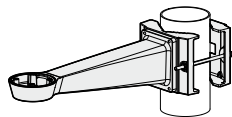
WCWGC Corner adapter

Unit Weight:	Package Weight:	Package Dimension (BxHxL):	Master Carton:
UPTWBA 2.9kg / 6.4lb	UPTWBA 3.2kg / 7lb	UPTWBA 19x16x60cm / 7.5x6.3x2in	UPTWBA -
UPTWBTA 1.2kg / 2.6lb	UPTWBTA 1.4kg / 3lb	UPTWBTA 19x19x19cm / 7.5x7.5x7.5in	UPTWBTA 12 units
UPTWAS01B 4.7kg / 10.5lb	UPTWAS01B 5.7kg / 12.6lb	UPTWAS01B 30.5x57x34cm / 12x22.5x13.4in	UPTWAS01B -
UPTWASA01B 14.5 / 32lb	UPTWASA01B 15.5kg / 34.2lb	UPTWASA01B 35.5x45x80cm / 14x17.7x31.5in	UPTWASA01B -

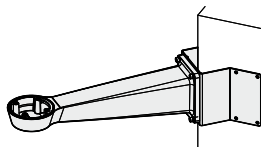
UPTWBA



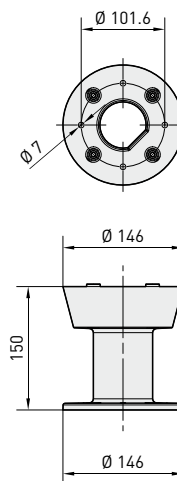
UPTWBA + PTCC



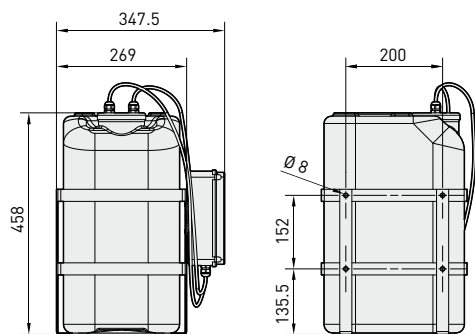
UPTWBA + WCW6C



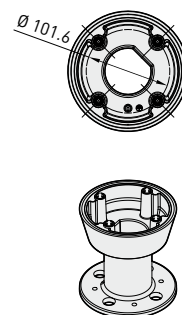
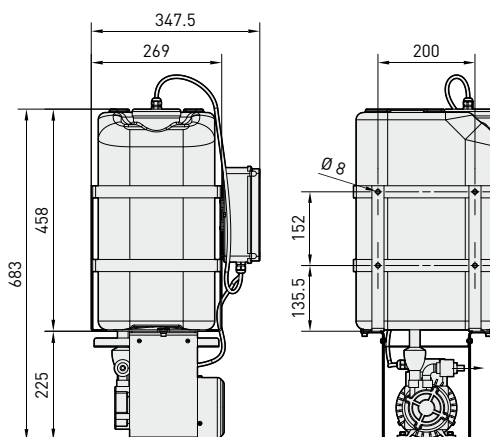
UPTWBTA



UPTWAS01B - UPTWAS02B



UPTWASA01B



The values are in millimeters.

8
INTEGRATED
POSITIONING UNITS

