

LARGE STAINLESS STEEL HOUSING FOR THERMAL IMAGING CAMERAS

- Germanium window glass
- Available with different dimensions windows
- AISI 316 stainless steel construction
- For highly aggressive environments
- Weatherproof standard IP67



The NTL housing, entirely made of AISI 316 stainless steel, has been designed with the most important thermal camera manufacturers in mind. The housing is conceived to operate in special environments such as salt water applications like marine or coast patrol, industrial or chemical applications, and where external agents are highly corrosive.

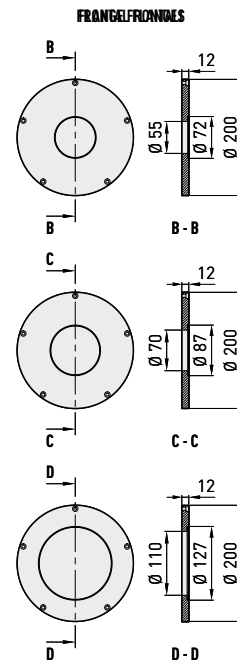
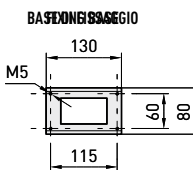
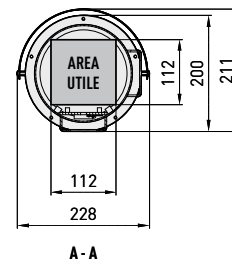
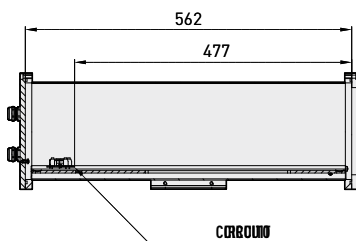
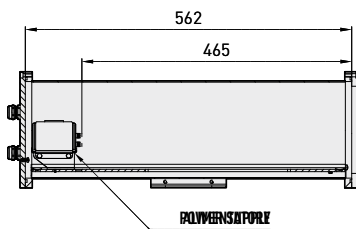
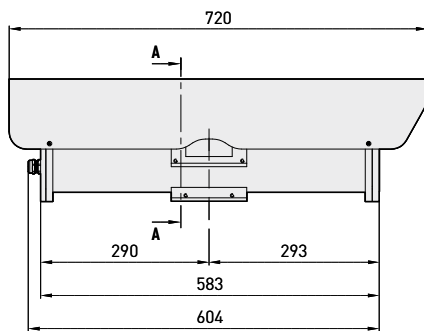
The NTL housing consists of a 168mm diameter cylindrical body enclosed by two circular flanges. The clear germanium glass composition with remarkable properties covers transmission from

7.5 to 14µm IR range with the best optical quality. The different available window dimension allows the installation of a thermal camera equipped with several lenses. The back flange is equipped with (4) PG13.5 cable glands for external connections.

The housing offers the possibility to remove either the front or the back cover for adjusting the lens and various connections.

Wide range of accessories: heater, NXWBL stainless steel wall bracket and VIPNXL wiper. The NTL housing can be installed on NXPTH Pan & Tilt head obtaining a complete positioning system.

7 THERMAL IMAGING CAMERA HOUSINGS



The values are in millimeters.

TECHNICAL DATA

GENERAL

Made of stainless steel (Austenitic alloy stainless steel, corrosion resistant according to the following standards):

- UNI 6900-71: X 2 Cr Ni Mo 17 12
- AISI: 316L
- DIN 17006: X 2 Cr Ni Mo 18 10
- N° WERKSTOFF: 1.4404
- AFNOR: Z2 CND 17-12
- BSI: 316 S 12

The screws utilised are in austenitic alloy stainless steel, corrosion resistant according to the following standards:

- UNI 6900: X 5 Cr Ni Mo 1712
- AISI: 316
- ISO quality: A4
- Resistance class ISO: 80

Supplied with instruction manual, desiccants bag, accessories for camera and lens mounting

UNI: Ente Nazionale Italiano di Unificazione, AISI: American Iron and Standard Institute, DIN: Deutsche Industrie Normen, AFNOR: Association Française de Normalisation, BSI: British Standard Institution, ISO: International Organization for Standardization

MECHANICAL

4 cable glands: 4xPG13.5 in nickel-plated brass for external connections

External body polishing

12mm (0.5in) thick front and 9mm (0.35in) thick back flange

O-ring gaskets

Internal usable dimensions (BxH): 112x112mm (4.5x4.5in)

Germanium Glass Window

2mm (0.07in) thick

NTL1K1000 Ø 70mm (2.8in) external, Ø 55mm (2.1in) internal

NTL1K1300 Ø 85mm (3.3in) external, Ø 70mm (2.8in) internal

3mm (0.11in) thick

NTL1K1500 Ø 125mm (4.9in) external, Ø 110mm (4.3in) internal

External non-scratch treatment (hard carbon coating)

Internal antireflection treatment

Spectral range from 7.5 to 14µm IR range

Average transmission from 7.5 to 11.5µm, 94%

Average transmission from 11.5 to 14µm, 90%

Usable length

NTL 562mm (22.1in)

Internal usable length with connection board

NTL 477mm (18.7in)

Wiper

Wiper blade and enclosure made of AISI 316 stainless steel

Dimensions (ØxL): 100x169mm (3.9x6.6in) not comprehensive of blade

Connector 3+1 pins

IN 230V AC, consumption 7W max

IN 24V AC, consumption 7W max

ELECTRICAL

Heater Ton 15°C +/-3°C (59°F +/-5°F) Toff 22°C +/-3°C (71°F +/-5°F)

- IN 12V DC/24V AC, consumption 20W max

- IN 115/230V AC, consumption 40W max

ACCESSORIES

ONXLH1 Heater 115/230V AC

ONXLH2 Heater 12V DC/24V AC

VIPNXL1B Stainless steel wiper 230V AC

VIPNXL2B Stainless steel wiper 24V AC

RELATED PRODUCTS

NXWBL Wall bracket for stainless steel housing

NXPTH Stainless steel Pan&Tilt

VIP5WAS01 Tank 5l, 230V AC washer pump

VIP5WAS02 Tank 5l, 24V AC washer pump

VIP25WAS01 Tank 25l, 230V AC washer pump

VIP25WAS02 Tank 25l, 24V AC washer pump

VIP25WASA01 Tank 25l, 230V AC washer pump, high delivery up 30m

DTWRX Optional board for remote control of wiper and water pump of the UPTWAS series

ENVIRONMENT

Indoor / Outdoor

Operating temperature with heater: -20°C / +50°C (-4°F / +122° F)

COMPLIANCE TO

NTL

CE according to EN 61000-6-3, EN 60065, EN 50130-4

IP67

VIPNXL

CE according to EN 61000-6-3, EN 60065, EN 50130-4

IP67

7
THERMAL IMAGING
CAMERA HOUSINGS



Unit Weight:

NTL 13kg / 28.6lb

VIPNXL 1.5kg / 3.3lb

Package Weight:

NTL 15kg / 33.5lb

VIPNXL 1.6kg / 3.5lb

Package Dimensions (BxHxL):

NTL 29.5x35x75cm / 11.6x13.8x29.5in

VIPNXL 14.5x15x27cm / 5.7x5.9x10.6in

Master Carton:

NTL -

VIPNXL -