

LARGE EXTRUDED ALUMINIUM HOUSING FOR THERMAL CAMERAS



- Germanium window glass
- Built in aluminium and epoxy powder painted
- Indoor/outdoor
- Wide range of accessories available
- Supplied with sunshield and 230V AC heater
- Solid and reliable
- Weatherproof Standard IP66

The HTG housing is a weatherproof housing for outdoor installations, equipped with a germanium viewing window designed for Thermal Imaging Cameras installation.

The clear germanium glass composition with remarkable properties covers transmission from 7.5 to 14µm IR range with the best optical quality. The window dimension allows the installation of camera equipped with 9.2mm/45° lens.

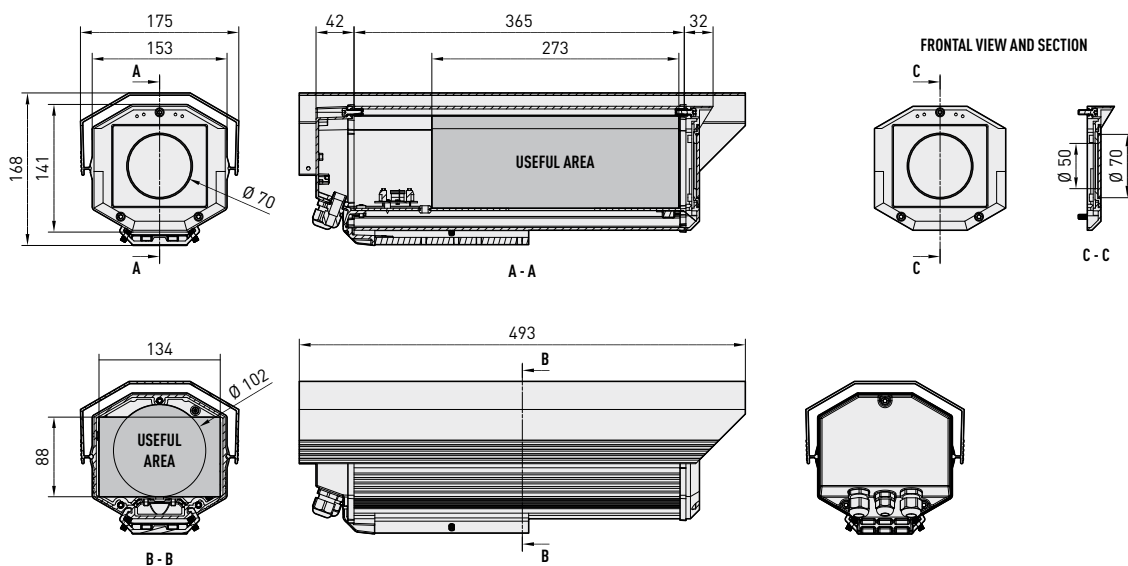
The body is made of extruded aluminium and the end-cover plates of die-cast aluminium. Its weatherproof features are ensured by the extruded aluminium sunshield, the EPDM-rubber end-gasket between the end-cover plates and the body, and three cable glands with their specific gaskets. The installation and adjustment of the camera are made easier due to the ability to remove the body, leaving the internal slide in work position for easy operation. A wide range of

accessories is available, including sunshield and heater kit, which are factory installed, and optional camera power supply, weatherproof junction box, wiper and washer.

These accessories are supplied as a simple plug-in kit for an easy installation.

It can be installed with cable sheaths, instead of regular cable glands using the junction box OHEGBB for the wiring harness.

The HTG housing can be utilized for a variety of applications and it can be coupled with the Pan & Tilt PTH900 series.



The values are in millimeters.

7
THERMAL IMAGING
CAMERA HOUSINGS

TECHNICAL DATA

GENERAL

Germanium Glass Window
 Die-cast aluminium back and front cover plates
 Extruded aluminium body and external slide
 Epoxypolyester powder painted colour RAL9002
 Stainless steel external screws
 Supplied with instruction manual, desiccant bag, accessories for camera and lens mounting

MECHANICAL

3 removable cable glands: 1xPG9 e 2xPG11
Germanium window glass
 2mm [0.07in] thick, Ø 70mm [2.8in] external, Ø 50mm [1.7in] internal
 External non-scratch treatment (hard carbon coating)
 Internal antireflection treatment
 Spectral range from 7.5 to 14µm IR range
 Average transmission from 7.5 to 11.5µm, 94%
 Average transmission from 11.5 to 14µm, 90%
 Internal usable area (BxH): 134x88mm (5.1x3.5in)
Internal usable length with and without accessories
 HTG37 273mm [10.7in]

ELECTRICAL

Heater Ton 15°C +/-3°C (59°F +/-5°F) Toff 22°C +/-3°C (71°F +/-5°F)
 - IN 12V DC/24V AC, consumption 20W max
 - IN 115/230V AC, consumption 40W max
Camera power supply
 - IN 100-240V AC - OUT 12V DC, 50/60 Hz, 1A
 - IN 230V AC - OUT 24V AC, 50Hz, 400mA

ACCESSORIES

OHEGS37A000 Sunshield for HTG37
OHEH24 Heater 115/230V AC
OHEH25 Heater 12V DC/24V AC
OHEPS19B Wide range camera power supply IN 100-240V AC - OUT 12V DC

OHEPS20 Camera power supply IN 230V AC - OUT 24V AC
OHEGBPS1B Wide range camera power supply IN 100-240V AC - OUT 12V DC in weatherproof box
OHEGBPS2B Camera power supply IN 230V AC - OUT 24V AC in weatherproof box
OHEGBB Weatherproof junction box, IP55

RELATED PRODUCTS

WBJA Wall bracket with ball joint
WCM5A Ceiling bracket with ball joint
WFWCA Column mount with ball joint
PTH900 Pan&Tilt series
VIP6A1 Wiper kit 230V AC
VIP6A2 Wiper kit 24V AC
VIP5WAS01 Tank 5l, 230V AC washer pump
VIP5WAS02 Tank 5l, 24V AC washer pump
VIP25WAS01 Tank 25l, 230V AC washer pump
VIP25WAS02 Tank 25l, 24V AC washer pump
VIP25WASA01 Tank 25l, 230V AC washer pump, high delivery up 30m
DTWRX Optional board for remote control of wiper and water pump of the UPTWAS series

ENVIRONMENT

Indoor / Outdoor
 Operating temperature with heater: -20°C / +50°C [-4°F / +122°F]

COMPLIANCE TO

CE according to EN61000-6-3, EN 60950, EN50130-4
 IP66 according to EN 60529 with cable glands

SPARE PARTS LIST

DOTHE01 Spacers for camera and lens
OHEGNMAN Cable glands, gaskets and screws
OHEGFNP04 Back cover with screws and gaskets
OHTGFA Complete HTG front cover



Unit Weight:
HTG37K1 4.1kg / 9.0lb

Package Weight:
HTG37K1 4.5kg / 9.9lb

Package Dimension (BxHxL):
HTG37K1 19.5x20x52.5cm / 7.7x7.8x20.6in

Master Carton:
HTG37K1 -