



- Low cost
- Wall mounting (IPT)
- Ceiling mounting (IPTS/IPHS)
- Autopan function
- Externally adjustable Pan limit switches
- Rapid and easy installation

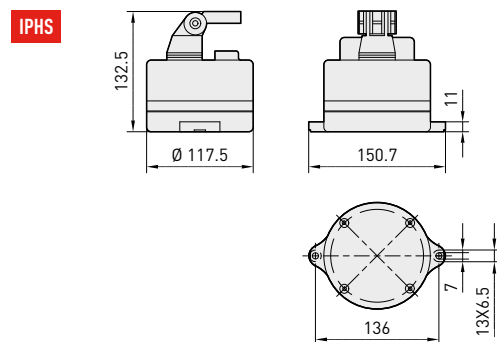
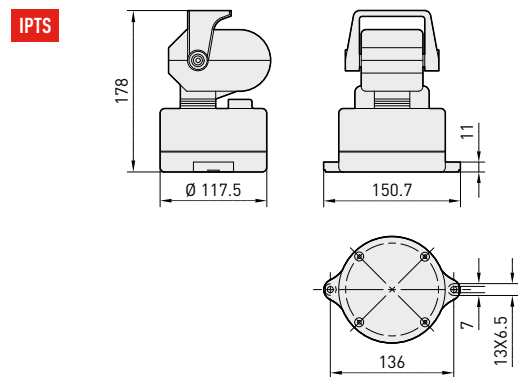
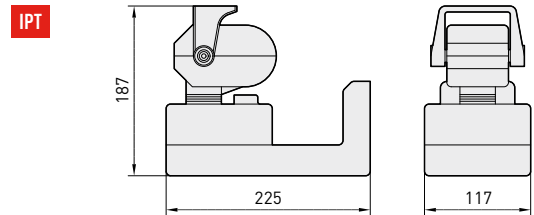
Made of highly resistant plastic material, reinforced with a die-cast aluminium bracket, they are suitable for indoor installations for loads up to 5kg.

Wide adjustment possibilities of the movement amplitude, made easy by the externally adjustable horizontal limit switches: max. horizontal rotation 320°, vertical 90°.

A practical fixing system ensures a rapid installation and easy access for maintenance. Suitable for continual use, they are equipped with automatic functioning of the horizontal movement (Autopan).

IPTS / IPHS models are particularly designed for ceiling installations or inside DBH45 and DSBH45 domes (black version). Wide variety of controllers available, ranging from the simple CBZ direct controllers to the most sophisticated telemetry receivers.

The particularly refined design makes them suitable for public places such as banks, offices, etc.



The values are in millimeters.

TECHNICAL DATA

IPT / IPTS / IPHS

Model	Power supply	Pan	Tilt	Autopan	Ceiling	Wall	Colour	Max consumption
IPT720A	230V AC, 50Hz	•	•	•		•	RAL9002	7W
IPT721A	24V AC, 50Hz	•	•	•		•	RAL9002	7W
IPTS720F	230V AC, 50Hz	•	•	•	•		BLACK	7W
IPTS721F	24V AC, 50Hz	•	•	•	•		BLACK	7W
IPHS721A	24V AC, 50Hz	•		•	•		RAL9002	3.5W
IPTS720A	230V AC, 50Hz	•	•	•	•		RAL9002	7W
IPTS721A	24V AC, 50Hz	•	•	•	•		RAL9002	7W
IPT721/60A	24V AC, 60Hz	•	•	•		•	RAL9002	7W
IPHS721/60A	24V AC, 60Hz	•		•	•		RAL9002	3.5W
IPTS721/60A	24V AC, 60Hz	•	•	•	•		RAL9002	7W

GENERAL

Constructed of non-conductive plastic material
 RAL9002 colour
 Black colour only for IPTS720F e IPTS721F
 Die-cast aluminium bracket
 IPTS / IPHS can be install inside DBH45 and DSBH45 housing
 Mounting position normal / reverse
 Supplied with instruction manual, accessories for camera mounting

MECHANICAL

Dimensions

IPT	187x225x117mm [7.36x8.85x4.6in]
IPTS	178x150.7xØ 117.5mm [7x6xØ 4.6in]
IPHS	132.5x150.7xØ 117.5mm [5.2x6xØ 4.6in]

Maximum load 5kg [11.02lb]
 0-320° horizontal plane movement
 6°/s horizontal fixed speed
 Horizontal torque: 2Nm at specified voltage
 0-90° vertical plane movement
 3°/s vertical fixed speed
 Vertical torque: 2Nm at specified voltage
 Internally adjustable horizontal limit switches
 Fixed vertical limit switches

ELECTRICAL

Standard Autopan function
 Total Consumption 7W max (IPT)
 Total Consumption 3.5W max (IPH)

RELATED PRODUCTS

CBZ220	Unit for direct control of one P&T in 230V AC
CBZ24	Unit for direct control of one P&T in 24V AC
DTMRX2	Telemetry receiver 12 functions for P&T in 230V AC
DTMRX224	Telemetry receiver 12 functions for P&T in 24V AC
DTRX3	Telemetry receiver 17 functions for P&T in 230V AC or 24V AC
DTMRX324	Telemetry receiver 17 functions for P&T in 24V AC

ENVIRONMENT

Indoor

COMPLIANCE TO

CE according to EN 61000-6-3, EN 60065, EN 50130-4

SPARE PARTS LIST

OIPSMAN04	IPTS RAL9002 Maintenance kit
OIPTMAN04	IPT RAL9002 Maintenance kit



Unit Weight:
IPT 1.6kg / 3.5lb
IPTS 1.3kg / 2.9lb
IPHS 0.8kg / 1.8lb

Package Weight:
IPT 1.8kg / 4lb
IPTS 1.4kg / 3.3lb
IPHS 0.9kg / 2lb

Package Dimensions (BxHxL):
IPT 14x25.5x20cm / 5.5x10x7.8in
IPTS 14x25.5x20cm / 5.5x10x7.8in
IPHS 14x25.5x20cm / 5.5x10x7.8in

Master Carton:
IPT 10 units
IPTS 10 units
IPHS 10 units