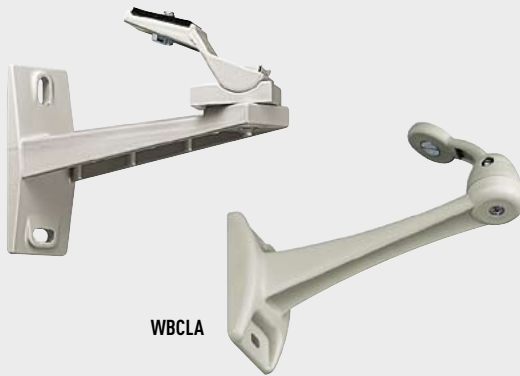


WBCAA



WBCLA

WBCV



WBCD



- Robust construction
- Wall and ceiling installation
- WBCLA Patented

WBCAA • Camera bracket. The joint allows wide vertical and horizontal adjustment and is provided with 1/4" bolt for camera mounting. This bracket can be used for wall or ceiling installations and is suitable for all cameras and HET mini housing.

WBCLA • Elegant design camera bracket. The ball joint allows wide adjustment either vertically or horizontally. This bracket can be used for wall or ceiling installations.

WBCD • Range of different camera brackets available with different lengths. It can be used for wall or ceiling installations for CCD cameras.

WBCV • Range of different camera brackets available with various lengths. It can be used for wall or ceiling installations for CCD cameras.

WBPC5A • Extension for WBCD and WBCV.

TECHNICAL DATA

CAMERA BRACKETS

Models	
WBCAA	Camera wall/ceiling bracket
WBCLA	Technopolymer camera wall/ceiling bracket
WBCD19A	Camera wall bracket 190mm
WBCD14A	Camera wall bracket 140mm
WBCD8A	Camera wall bracket 80mm
WBPC5A	50mm linear extension for WBCD-WBCV bracket
WBCV19A	Camera wall bracket 190mm
WBCV14A	Camera wall bracket 140mm
WBCV8A	Camera wall bracket 80mm

GENERAL

Die-cast aluminium
 Technopolymer construction (only WBCLA)
 Equipped with 1/4" bolt for camera mounting
 Wall or ceiling installations
 Suitable for any camera
 Colour RAL9002

MECHANICAL

WBCAA

Also suitable with HET small housing
 Max Load 5kg (11lb)
 Length: 170mm (6.7in)

WBCLA

Max Load: 3kg (6.6lb)
 Length: 173mm (6.8in)

WBCD

Made of aluminium and swivel and base made of nylon
 Wide adjustment balljoint
 Max Load: 1kg (2.2lb)
 Length: 80, 140, 190mm (3.1, 5.5 and 7.4in)

WBCV

Base in nylon, RAL9002
 Ball joint with ring lock in anodized aluminium
 Max Load: 2kg (4.4lb)
 Length 80, 140, 190mm (3.1, 5.5 and 7.4in)

WBPC5A

Length: 50mm (1.9in)

ENVIRONMENT

Outdoor / Indoor WBCAA
 Indoor WBCLA, WBCD and WBCV



Unit Weight:

WBCAA 0.2kg / 0.4lb
WBCLA 0.1kg / 0.2lb
WBCD19A 0.1kg / 0.2lb
WBCD14A 0.1kg / 0.2lb
WBCD8A 0.1kg / 0.2lb
WBCV19A 0.1kg / 0.2lb
WBCV14A 0.1kg / 0.2lb
WBCV8A 0.1kg / 0.2lb
WBPC5A 0.1kg / 0.2lb

Package Weight:

WBCAA 6.5kg / 14.3lb (30 units)
WBCLA 3.5kg / 7.7lb (30 units)
WBCD19A 7.5kg / 16.5lb (50 units)
WBCD14A 5.9kg / 13lb (50 units)
WBCD8A 4.7kg / 10.3lb (50 units)
WBCV19A 7.5kg / 16.5lb (50 units)
WBCV14A 5.9kg / 13lb (50 units)
WBCV8A 4.7kg / 10.3lb (50 units)
WBPC5A 0.3kg / 0.7lb (10 units)

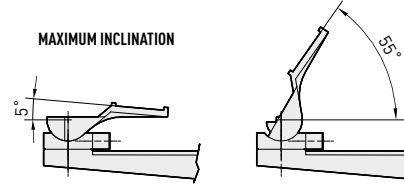
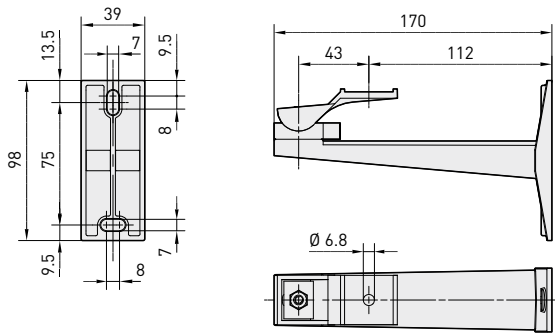
Package Dimensions (BxHxL):

WBCAA 38x14.5x 38cm / 14.9x5.7x14.9in
WBCLA 38x14.5x38cm / 14.9x5.7x14.9in
WBCD19A 22x42x21cm / 8.6x16.4x8.2in
WBCD14A 16.5x15.5x49cm / 6.5x6.1x19.3in
WBCD8A 15.5x14x 42.5cm / 6.1x5.5x16.7in
WBCV19A 22x42x21cm / 8.6x16.4x8.2in
WBCV14A 16.5x15.5x49cm / 6.5x6.1x19.3in
WBCV8A 15.5x14x42.5cm / 6.1x5.5x16.7in
WBPC5A 8.5x5.5x11.5cm / 3.4x2.2x4.5in

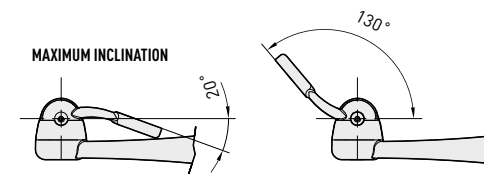
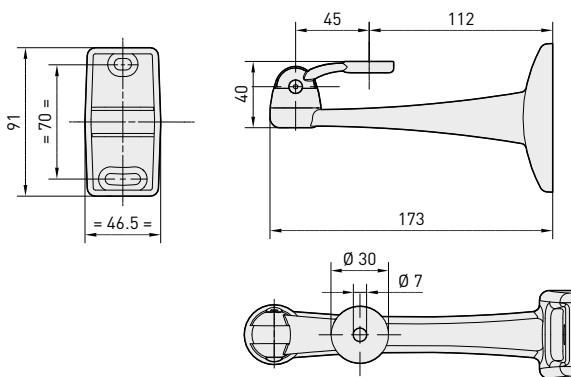
Master Carton:

WBCAA 30 units
WBCLA 30 units
WBCD19A 50 units
WBCD14A 50 units
WBCD8A 50 units
WBCV19A 50 units
WBCV14A 50 units
WBCV8A 50 units
WBPC5A 10 units

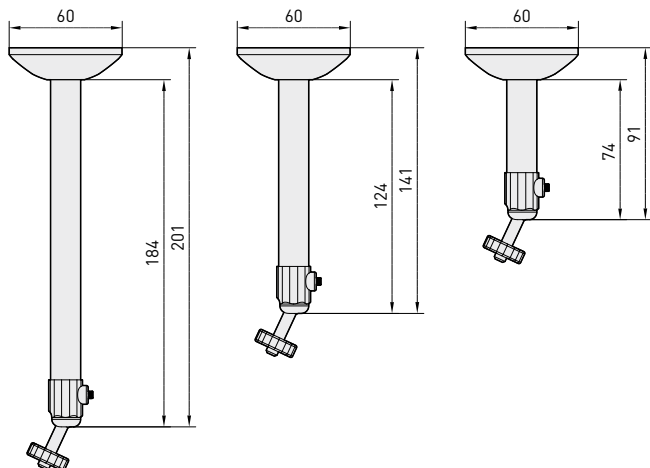
WBCAA



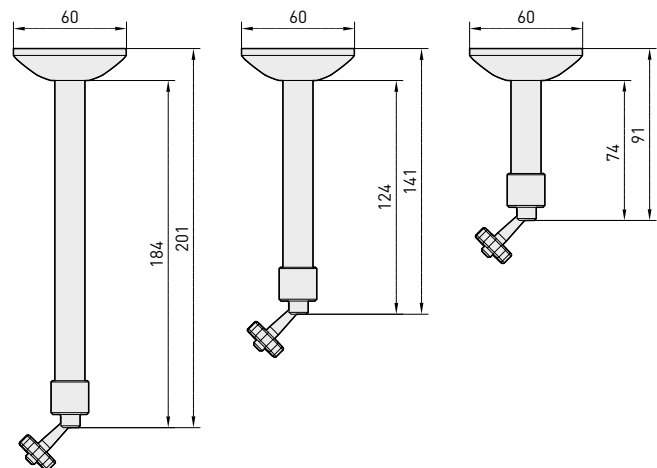
WBCLA



WBCD



WBCV



The values are in millimeters.

