

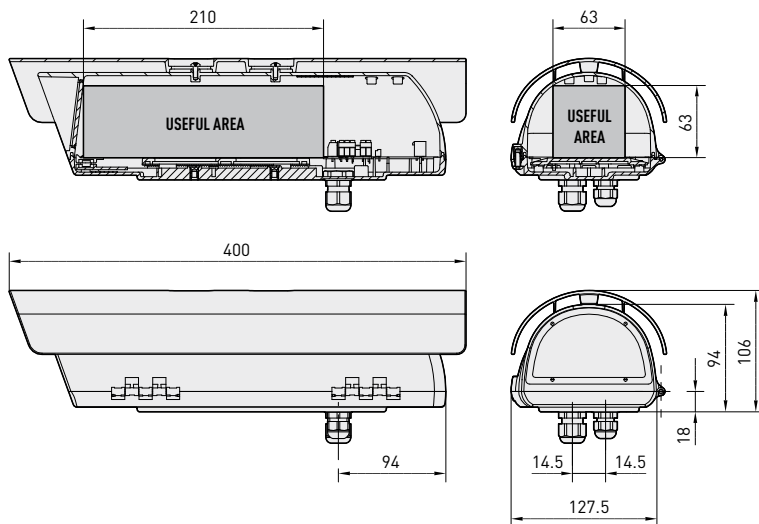
Innovative and stylish housing, designed to simplify installation and servicing, VERSO COMPACT ensures total protection against all environmental conditions for standard cameras and small compact zoom lenses. Due to opening from its side, accessibility to the camera, lens, and all its connections is made far easier. Entirely made with the newest, most resistant, technopolymer, VERSO COMPACT guarantees high impact resistance, high weather protection from external agents and UV rays.

Its weatherproof features are ensured by neoprene-rubber gaskets and 2 cable glands with their specific gaskets.

VERSO COMPACT offers the possibility of various mountings, either wall or top mount, standard or cable management bracket, and on a Pan & Tilt head.

A wide range of accessories is available, including: sunshield, heater kit, camera power supply and heater-fan assistant. The accessories are supplied factory installed or as a simple upgrade kit.

- Indoor / Outdoor
- Entirely made of technopolymer (polycarbonate)
- Side opening, easy camera servicing
- Weatherproof standard IP66 (with cable glands or optional sealing rings)
- Good resistance to impacts
- Different mounting options: standard bracket or cable management bracket or P&T
- Patented



The values are in millimeters.



VERSO COMPACT

COMPACT MODEL



CAMERA HOUSINGS

TECHNICAL DATA

VERSO COMPACT

Model	Sunshield	Heater 115/230V AC	Heater 12V DC/24V AC	Fan assisted heater 24V AC	Max consumption
HPV36D0A000B					
HPV36K0A000B	•				
HPV36K1A000B	•	•			40W
HPV36K2A000B	•		•		20W
HPV36K2A015B	•			•	24W

GENERAL

Entirely made of technopolymer (polycarbonate)
 RAL9002 Colour
 Stainless steel external screws
 Supplied with instruction manual, desiccant bag, accessories for camera and lens mounting

MECHANICAL

2 removable cable glands: 1xPG9 and 1xPG11
 Polycarbonate window (BxH): 98x55mm (3.9x2.2in)
 Internal usable area (BxH): 63x63mm (2.5x2.5in)
 Internal usable length with and without accessories: 210mm (8.3in)

ELECTRICAL

Heater Ton 15°C+/-3°C (59°F +/-5°F) Toff 22°C+/-3°C (71°F +/-5°F)
 - IN 12V DC/24V AC, consumption 20W max
 - IN 115/230V AC, consumption 40W max

Heater fan assistant, continuous duty

- IN 12V DC, consumption 4W max
 - IN 24V AC, consumption 4W max
 - IN 100-240V AC, consumption 4W max, with wide range power supply IN 100-240V AC/12V DC

Camera power supply

- IN 100-240V AC - OUT 12V DC, 50/60 Hz, 1A
 - IN 230V AC - OUT 24V AC, 50 Hz, 400mA

ACCESSORIES

OHPVS36A000B	Sunshield
OHPVH1	Heater 115/230V AC
OHPVH2	Heater 12V DC/24V AC
OHPVV1	Heater fan assistant, continuous duty, IN 12V DC
OHPVV2	Heater fan assistant, continuous duty, IN 24V AC

OHPVV3	Heater fan assistant, continuous duty, IN 100/240V AC
OHEPS19B	Wide range camera power supply IN 100-240V AC - OUT 12V DC
OHEPS20	Camera power supply IN 230V AC - OUT 24V AC
OHPVIRA	Bracket for mounting 1 infrared illuminator
OHEGBB	Weatherproof junction box, IP55

RELATED PRODUCTS

WBJA	Wall bracket with ball joint
WBMA	Wall bracket with ball joint
WBOVA2	Wall bracket with internal cable channel
WBOV3A2	Wall bracket with internal cable channel, support plate and integrated junction box
WCM3A	Ceiling bracket with ball joint
WCM5A	Ceiling bracket with ball joint
WCM4A2	Ceiling bracket with internal cable channel
WFWCA	Column mount with ball joint
OWBIP1	Kit special gasket to allow protection IP66 for WBOVA2 and WCM4A2
PTH300	Pan&Tilt series

ENVIRONMENT

Indoor / Outdoor
 Operating temperature with heater: -20°C / +50°C (-4°F / +122°F)
 Very good resistance to the following chemical agents: basics, alcohols, gasses, hydrocarbon
 Good resistance: organic and inorganic acids, oils
 Low resistance: solvents

COMPLIANCE TO

CE according to EN61000-6-3, EN 60065, EN50130-4
 IP66 according to EN 60529 with cable glands
 IP66 according to EN 60529 with special gasket and bracket with internal cable channel
 IP54 according to EN 60529 with bracket with internal cable channel
 V1 fire-self extinguish compliance according to UL94
 Impact resistance IK10 according to EN 50102

SPARE PARTS LIST

DOHPV02	Cable glands, screws and spacers for camera and lens
OHPV36CS04	Complete upper body

	Unit Weight: HPV36K1 1.1kg / 2.4lb	Package Weight: HPV36K1 1.4kg / 3lb	Package Dimension (BxHxL): HPV36K1 15.5x14x43cm / 6.1x5.5x16.9in	Master Carton: HPV36K1 10 units
--	--	---	--	---