

- Indoor/Outdoor installations
- Aluminium epoxy painted
- Hinged removable body
- Wide range of accessories available
- Weatherproof Standard IP66

HEM30K



CAMERA HOUSINGS

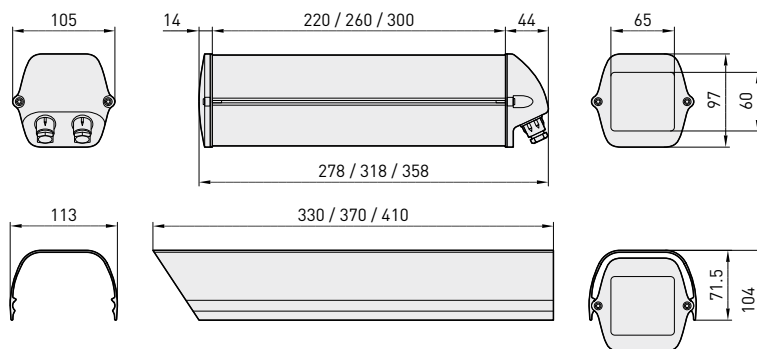
Its dimensions make it suitable for CCD cameras equipped with fixed lenses.

Made of extruded and die-cast aluminium, it is provided with an innovative opening system which allows access to the housing's interior; the body and the sunshield slide forward and hang in place, while the unit remains fixed allowing access to the camera from all angles. This can be done from either sides for a rapid installation and an easy adjustment.

Its weatherproof features are ensured by EPDM-rubber gaskets and by 1 PG9 and 1 PG11 cable glands with their specific gaskets. A wide range of accessories is available, including sunshield, heater standard or fan-assisted kit, blower kit and camera power supply. The accessories are supplied factory installed or as simple upgrade kit.

Further, it is also possible to install a blower including an air filter replacing one of the cable glands.

HEM					
Model	Sunshield	Heater 115/230V AC	Heater 12V DC/24V AC	Fan assisted heater 24V AC	Max consumption
HEM22D0A000					
HEM22K0A000	•				
HEM22K1A000	•	•			40W
HEM22K2A000	•		•		20W
HEM26D0A000					
HEM26K0A000	•				
HEM26K1A000	•	•			40W
HEM26K2A000	•		•		20W
HEM30D0A000					
HEM30K0A000	•				
HEM30K1A000	•	•			40W
HEM30K2A000	•		•		20W
HEM30K2A015	•			•	24W



The values are in millimeters.

### TECHNICAL DATA

#### GENERAL

Die-cast aluminium back and front cover plates  
 Extruded aluminium body and external slide  
 Epoxypolyester powder painted colour RAL9002  
 Stainless steel external screws  
 Supplied with instruction manual, desiccant bag, accessories for camera and lens mounting

#### MECHANICAL

2 removable cable glands: 1xPG9 and 1xPG11  
 Glass window (BxH): 62x 57mm [2.4x2.2in]  
 Internal usable area (BxH): 70x65mm [2.7x2.5in]

Internal usable length without accessories	
HEM22	220mm [8.7in]
HEM26	260mm [10.2in]
HEM30	300mm [11.8in]

Internal usable length with heater and/or power supply	
HEM26	180mm [7in]
HEM30	230mm [9in]

Internal usable length with heater and/or blower	
HEM26	190mm [7.5in]
HEM30	235mm [9.3in]

#### ELECTRICAL

**Heater Ton 15°C+/-3°C (59°F +/-5°F) Toff 22°C+/-3°C (71°F +/-5°F)**  
 - IN 12V DC/24V AC, consumption 20W max  
 - IN 115/230V AC, consumption 40W max

**Blower kit with thermostat air filter, Ton 35°C+/-3°C (95°F+/-5°F) Toff 20°C+/-3°C (71°F+/-5°F) and back cover**  
 - IN 12V DC, consumption 4W max  
 - IN 24V AC, consumption 4W max  
 - IN 230V AC, consumption 4W max, complete with voltage transformer

**Camera power supply**  
 - IN 230V AC - OUT 12V DC, 50Hz, 400mA  
 - IN 230V AC - OUT 24V AC, 50Hz, 400mA

#### ACCESSORIES

OHEMS22A000	Sunshield for HEM22
OHEMS26A000	Sunshield for HEM26
OHEMS30A000	Sunshield for HEM30
OHEH01	Heater 12V DC/24V AC
OHEH02	Heater 115/230V AC

OHEMV1A	Blower kit with thermostat air filter IN 12V DC for HEM26 and HEM30
OHEMV2A	Blower kit with thermostat air filter IN 24V AC for HEM26 and HEM30
OHEPS05	Camera power supply IN 100-240V AC - OUT 12V DC
OHEPS06	Camera power supply IN 230V AC - OUT 24V AC
OHEGBB	Weatherproof junction box IP55
IR50	IR illuminator 50W

#### RELATED PRODUCTS

WBMA	Wall bracket with ball joint
WCM3A	Ceiling bracket with ball joint
WCM5A	Ceiling bracket with ball joint
WFWCA	Column mount with ball joint
PTH300	Pan&Tilt series
PTH900	Pan&Tilt series

#### ENVIRONMENT

Indoor / Outdoor  
 Operating temperature with heater: -20°C / +50°C [-4°F / +122°F]  
 Resistant to the salt-air fog until 1000 hours (according to ISO9227)

#### COMPLIANCE TO

CE according to EN61000-6-3, EN 60065, EN50130-4  
 IP66 according to EN 60529

#### SPARE PARTS LIST

DOTHE02	Spacers for camera and lens
OHEMMAN	Cable glands, gaskets and screws
OHEMFA04	Front cover with screws and gaskets
OHEMFP04	Back cover with cable glands, screws and gaskets

	Unit Weight:	Package Weight:	Package Dimension (BxHxL):	Master Carton:
	HEM22K1 1.5cm / 3.3lb HEM26K1 1.8cm / 3.9lb HEM30K1 2.0cm / 4.4lb	HEM22K1 1.8kg / 3.9lb HEM26K1 2.0kg / 4.4lb HEM30K1 2.2kg / 4.8lb	HEM22K1 13.5x13.5x45cm / 5.3x5.3x17.7in HEM26K1 13.5x13.5x45cm / 5.3x5.3x17.7in HEM30K1 13.5x13.5x45cm / 5.3x5.3x17.7in	HEM22K1 12 units HEM26K1 12 units HEM30K1 12 units