



- Indoor/outdoor
- Built in aluminium and epoxy powder painted
- Accommodate large lenses
- Wide range of accessories available
- Solid and reliable
- Weatherproof Standard IP66

Weatherproof housing for outdoor installations. Its internal dimensions make it suitable for several cameras equipped with a wide range of lenses.

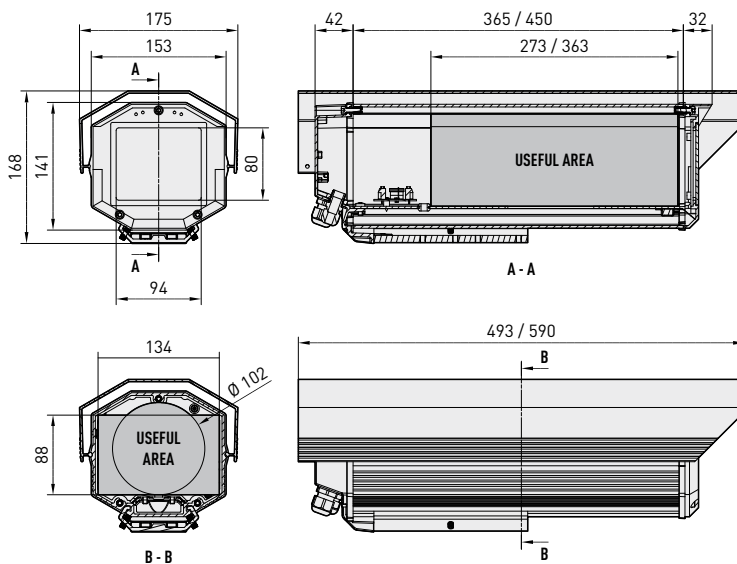
The body is made of extruded aluminium and the end-cover plates of die-cast aluminium. Its weatherproof features are maintained by an extruded aluminium sunshield, two EPDM-rubber end gaskets between cover plates, and three cable glands. The installation and adjustment of the camera are made easier due to the ability to remove the body, leaving the internal slide in work position for easy operation. A wide range of accessories is available, including heater kit (normal or reinforced for temperatures below -20°C), blower kit, camera power supply, weatherproof junction box, wiper and washer. The accessories are supplied factory installed or as a simple upgrade kit.

Instead of regular cable glands, the housing can be also equipped with connectors. This allows for an easy on-site replacement and installation on Pan & Tilt heads.

It can be installed with cable sheaths, instead of regular cable glands using the junction box OHEGBB for the wiring harness.

A specific version with a very efficient cooling system is available for installation with IP cameras and for high environmental temperature.

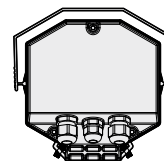
The HEG housing can be utilized for a variety of applications, such as traffic and highway monitoring, particularly if coupled with the Pan & Tilt PTH900 series.



The values are in millimeters.



HEG+OHEGBB  
(installed with cable sheaths)



HEG										
Model	Sunshield	Heater 115/230V AC	Heater 12V DC/24V AC	12V DC blower with double air exchange filter	24V AC blower with double air exchange filter	PS IN 100/240V AC, OUT 24V AC, for blower with double air exchange filter	Connectors 3+1 and 6+1, connector BNC	Double heater 115/230V AC	Triple fan assisted heater 115/230V AC	Max consumption
HEG37D0A000										
HEG37K0A000	•									
HEG37K0A016	•									4W
HEG37K0A017	•			•						4W
HEG37K1A000	•	•								40W
HEG37K1A018	•	•				•				44W
HEG37K1A074	•							•		80W
HEG37K1A143	•								•	124W
HEG37K2A000	•		•							20W
HEG37K2A016	•		•			•				24W
HEG37K2A017	•		•	•						24W
HEG47D0A000										
HEG47K0A000	•									
HEG47K0A016	•					•				4W
HEG47K0A017	•			•						4W
HEG47K1A000	•	•								40W
HEG47K1A018	•		•			•				44W
HEG47K1A036	•	•					•			40W
HEG47K1A074	•							•		80W
HEG47K1A143	•								•	124W
HEG47K2A000	•		•							20W
HEG47K2A016	•		•			•				24W
HEG47K2A017	•		•	•						24W
HEG47K2A036	•		•				•			20W



Mod. 036



HEG + VIP6A

### TECHNICAL DATA

#### GENERAL

Die-cast aluminium back and front cover plates  
 Extruded aluminium body and external slide  
 Epoxypolyester powder painted colour RAL9002  
 Stainless steel external screws  
 Supplied with instruction manual, desiccant bag, accessories for camera and lens mounting

#### MECHANICAL

3 removable cable glands: 1xPG9 and 2xPG11  
 Glass window (BxH): 94x80mm (3.7x3.1in)  
 Internal usable area (BxH): 134x88mm (5.1x3.5in)  
 Internal usable area with double or triple heater(BxH): 100x88mm (3.9x3.5in)

#### Internal usable length without accessories

HEG37	365mm (14.3in)
HEG47	450mm (17.7in)

#### Internal usable length with accessories

HEG37	273mm (10.8in)
HEG47	363mm (14.3in)

#### ELECTRICAL

#### Heater Ton 15°C+/-3°C (59°F +/-5°F) Toff 22°C+/-3°C (71°F +/-5°F)

- IN 12V DC/24V AC, consumption 20W max
- IN 115/230V AC, consumption 40W max
- IN 115/230V AC, double heater, consumption 80W max
- IN 115/230V AC, fan assisted triple heater, consumption 120W + 4W max

#### Blower kit with thermostat Ton 35°C+/-3°C (95°F+/-5°F) Toff 20°C+/-3°C (71°F+/-5°F) for version with double filter

- IN 12V DC, consumption 4W max
- IN 24V AC, consumption 4W max

#### Camera power supply

- IN 100-240V AC - OUT 12V DC, 50/60 Hz, 1A
- IN 230V AC - OUT 24V AC, 50Hz, 400mA

#### ACCESSORIES

OHEGS37A000	Sunshield for HEG37
OHEGS47A000	Sunshield for HEG47
OHEH24	Heater 115/230V AC
OHEH25	Heater 12V DC/24V AC
OHEPS19B	Wide range camera power supply IN 100-240V AC - OUT 12V DC
OHEPS20	Camera power supply IN 230V AC - OUT 24V AC

OHEGBPS1B	Wide range camera power supply IN 100-240V AC - OUT 12V DC in weatherproof box
OHEGBPS2B	Camera power supply IN 230V AC - OUT 24V AC in weatherproof box
OHEGBB	Weatherproof junction box, IP55
IRBA	Bracket for mounting 2 infrared illuminators on housing (not compatible with double filter housing)

#### RELATED PRODUCTS

WBJA	Wall bracket with ball joint
WCM5A	Ceiling bracket with ball joint
WFWCA	Column mount with ball joint
PTH900	Pan&Tilt series
VIP6A1	Wiper kit 230V AC
VIP6A2	Wiper kit 24V AC
VIP5WAS01	Tank 5l, 230V AC washer pump
VIP5WAS02	Tank 5l, 24V AC washer pump
VIP25WAS01	Tank 25l, 230V AC washer pump
VIP25WAS02	Tank 25l, 24V AC washer pump
VIP25WASA01	Tank 25l, 230V AC washer pump, high delivery up 30m (98.4ft)
DTWRX	Optional board for remote control of wiper and water pump of the UPTWAS series

#### ENVIRONMENT

Indoor / Outdoor  
 Operating temperature with heater: -20°C / +50°C (-4°F / +122°F)  
 Operating temperature with double heater: -40°C / +50°C (-40°F / +122°F)  
 Operating temperature with triple heater: -50°C / +50°C (-58°F / +122°F)  
 Resistant to the salt-air fog until 1000 hours (according to ISO9227)

#### COMPLIANCE TO

CE according to EN61000-6-3, EN 60065, EN50130-4  
 IP66 according to EN 60529 with cable glands  
 IP54 according to EN 60529 for model 036  
 IP44 according to EN 60529 with double filter housing

#### SPARE PARTS LIST

DOTHE01	Spacers for camera and lens
OHEGNMAN	Cable glands, gaskets and screws
OHEGFA04	Front cover with screws and gaskets
OHEGFPN04	Back cover with screws and gaskets
OBKFIL	Replacement filter kit for double filter housing

CAMERA HOUSINGS



**Unit Weight:**  
 HEG37K1 4.1kg / 9.0lb  
 HEG47K1 4.7kg / 10.3lb

**Package Weight:**  
 HEG37K1 4.5kg / 9.9lb  
 HEG47K1 5.3kg / 11.7lb

**Package Dimension (BxHxL):**  
 HEG37K1 19.5x20x52.5cm / 7.7x7.8x20.6in  
 HEG47K1 19.5x20x62.0cm / 7.7x7.8x24.4in

**Master Carton:**  
 HEG37K1 8 units  
 HEG47K1 6 units

