



SNC-RZ30P

VIDEO NETWORK CAMERA

The video environment is rapidly changing, and so are your needs. True flexibility means being able to view, share and record the images you want, when you need them and in the format that suits you best. And without compromising any of the security or practical features of traditional video cameras that you take for granted. That's where the Sony SNC-RZ30P Video Network Camera comes in.

Combining network functionality with a Pan/Tilt/Zoom (PTZ) capability, the SNC-RZ30P takes remote monitoring to the next step by offering the flexibility to see almost anything within the camera's range and field-of-view over an ordinary TCP/IP network. Images from the SNC-RZ30P can be viewed and the PTZ movement can be controlled using a PC running a standard browser without the need for additional software or plug-ins. Moreover, because the menu is also browser-based, set-up couldn't be easier.

The SNC-RZ30P features a powerful 25x optical zoom capability that allows a user to zoom in on small or distant objects with exceptional clarity. Image quality is extremely high because the SNC-RZ30P uses a high-resolution CCD imager. The SNC-RZ30P employs JPEG compression and can be set up to transfer these JPEG images to an FTP server or to a specified e-mail address. Also, the frame rate for this camera can be set as high as 25fps* at VGA resolution (640 x 480), which makes it an excellent solution for high-end remote monitoring. The SNC-RZ30P features built-in PCMCIA card slots to

further expand the unit's memory with a flash ATA card, an ATA HDD card, or a Memory Stick™ with adaptor, allowing you to store tens of thousands of images.

Finally, unlike most network cameras, the SNC-RZ30P has an analogue composite video output connector for outputting video to a local video recorder, or integration with existing analogue video surveillance systems.

All of this functionality is packaged into one sleek, compact, and light-weight body that can be either ceiling mounted or placed on a flat surface. The feature-rich SNC-RZ30P will make your network camera experience an unforgettable one.

* In order to achieve the maximum frame rate, an adequate client PC processor speed and an adequate network environment are required.

CHANGING



THE WAY



BUSINESS



COMMUNICATES

www.sonybiz.net

CORPORATE COMMUNICATIONS | SURVEILLANCE | VIDEOCONFERENCING
BROADCAST | MEDICAL AND DIGITAL IMAGING | BUSINESS PRESENTATIONS

SONY



Data centre: Security application

FEATURES AND BENEFITS

Remote monitoring / Control over networks using a standard web browser

The SNC-RZ30P is equipped with a 100Base-TX (RJ-45) interface and has a web server capability with an assignable IP address. These features, coupled with the camera's built-in software, allow the user to control the unit and view live images over a network. All that is required is a PC running a standard web browser. No additional software or plug-ins are required.

View all picture details within seconds

It couldn't be simpler to locate almost any position in the viewable area surrounding the SNC-RZ30P thanks to its high-speed PTZ (Pan-Tilt-Zoom) capability. Of all the PTZ-capable network cameras currently available, the SNC-RZ30P has one of the widest ranges in its class: a pan range of 340°, a tilt range of 115°, plus an excellent 25 x optical / 300 x digital zoom capability. The full 340° pan range can be covered in 2 seconds, and the -90° to +25° tilt range can be covered in 1.5 seconds. In addition to the wide range of motion and high-speed movements, the SNC-RZ30P incorporates gearless direct-drive motors that ensure exceptionally quiet operation.

Matching high-quality images with available network

The SNC-RZ30P, which uses the industry-standard JPEG compression format, has a number of selectable parameters that make it easy to match the quality of the image to your bandwidth requirements. For example it has a compression ratio selectable between 1/5 and 1/60. Also, with a maximum setting of 25 fps, the frame rate can either be set manually at a fixed frame rate, or at a variable

frame rate based on the bandwidth available. Furthermore, the image resolution can be selected from a choice of 736 x 544, 640 x 480, 320 x 240 or 160 x 120. With a high-speed network connection, you can obtain high-quality video images, and with a limited bandwidth connection, you can set the parameters so that your images are still very clear with no image break-up.

Advanced image handling

Because the SNC-RZ30P supports both FTP and SMTP protocols, JPEG still images can be transferred, as required, either to an FTP server or sent to a specified e-mail address as a JPEG attachment. The FTP server can either be located remotely or on the SNC-RZ30P using its embedded FTP server capability. You can view the sequential stored alarm images through the optionally-added HTML file using a general browser (Digest Viewer).

Unattended operation

The SNC-RZ30P has a built-in activity detection function that makes it easy to keep track of activity on site, even when not actively monitoring. This can be set to trigger an alarm or a switch. For example, movement in the field-of-view of the camera can set off an audible alarm or turn on a lamp. What's more, the SNC-RZ30P can be configured with up to three external sensors for expanded functionality. Any or all of these sensors can be set to trigger an alarm, or to send a signal to a solenoid to perform functions such as locking a door. Other functions can also be performed such as sending the image that was captured at the time the alarm was triggered to an e-mail address or to an FTP server.



SNC-RZ30P Setting Menu



SNC-RZ30P Viewer



25 x Optical Zoom (simulated images)



SNC-RZ30P

Also, because the SNC-RZ30P has 8 MB of RAM designated as a buffer and a high-speed data-transfer capability of up to 25 fps, hundreds of images from before and after the alarm was triggered can be buffered in the RAM and transferred.

Two type II PCMCIA expansion slots

Two Type II PCMCIA card slots are integrated into the SNC-RZ30P. These slots can be used to increase the storage capacity of the unit by adding either a flash memory card or an ATA Hard Disk Drive (HDD) card*. IC recording media such as a Memory Stick/PC card adaptor can also be used. This increased storage capacity comes in handy if you want to store tens of thousands of images without having to consume bandwidth on the network.

* Slots cannot be used simultaneously.

Analogue composite video output

The SNC-RZ30P can output an analogue composite video signal via the BNC connector on the unit's rear panel and provides horizontal resolution of over 480 TV lines.

RS-232C/485 transparency interface

External equipment can be connected to the RS-232C/485 interface of the SNC-RZ30P, and can be controlled by a PC connected to the network on which the SNC-RZ30P resides.



Production line: Remote monitoring application

Up to 50 simultaneous users

Up to 50 users can simultaneously access the SNC-RZ30P camera to monitor images and control the camera. The administrator can set two different control modes, allowing control of the unit to be shared by a number of users. One mode gives priority to the user who last attempted to control the camera, while the other mode is time-based. When this mode (Exclusive Control) is set, priority is given to a user for a specified period of time. When time expires, the next person who takes control is given priority for the same length of time.

Security management

As well as allowing multi-user access, the SNC-RZ30P also maintains security, managing access to each camera site with password protection and IP filtering.

- **IP Filtering** - User access to the SNC-RZ30P can be limited by IP filtering. This allows users with pre-defined IP addresses to access the camera, while denying access to all other addresses.
- **Password Protection** - User names and passwords can be assigned to allow four levels of access. Generally, the administrator has complete access/control of the camera, while the other three levels can be set to limit user privileges to functions such as PTZ control, viewing, trigger control, etc.

Monitoring day & night

The SNC-RZ30P features a unique day/night function allowing switching from colour to black and white mode during low light conditions, such as nighttime, providing more sensitive pictures.



Monument: web attraction application

Direct Pointing or Vectoring

There is an alternative method of controlling the pan and tilt of the SNC-RZ30P. When this other method is selected, an on-screen simulated pad appears on the GUI (Graphical User Interface) allowing “direct pointing” or “vectoring” to control the camera.

Automatically Scanning the Scene

This feature allows up to five scanning patterns (tours) to be pre-set with up to 16 positions in each scan. This is useful when you wish to monitor designated areas in a room.

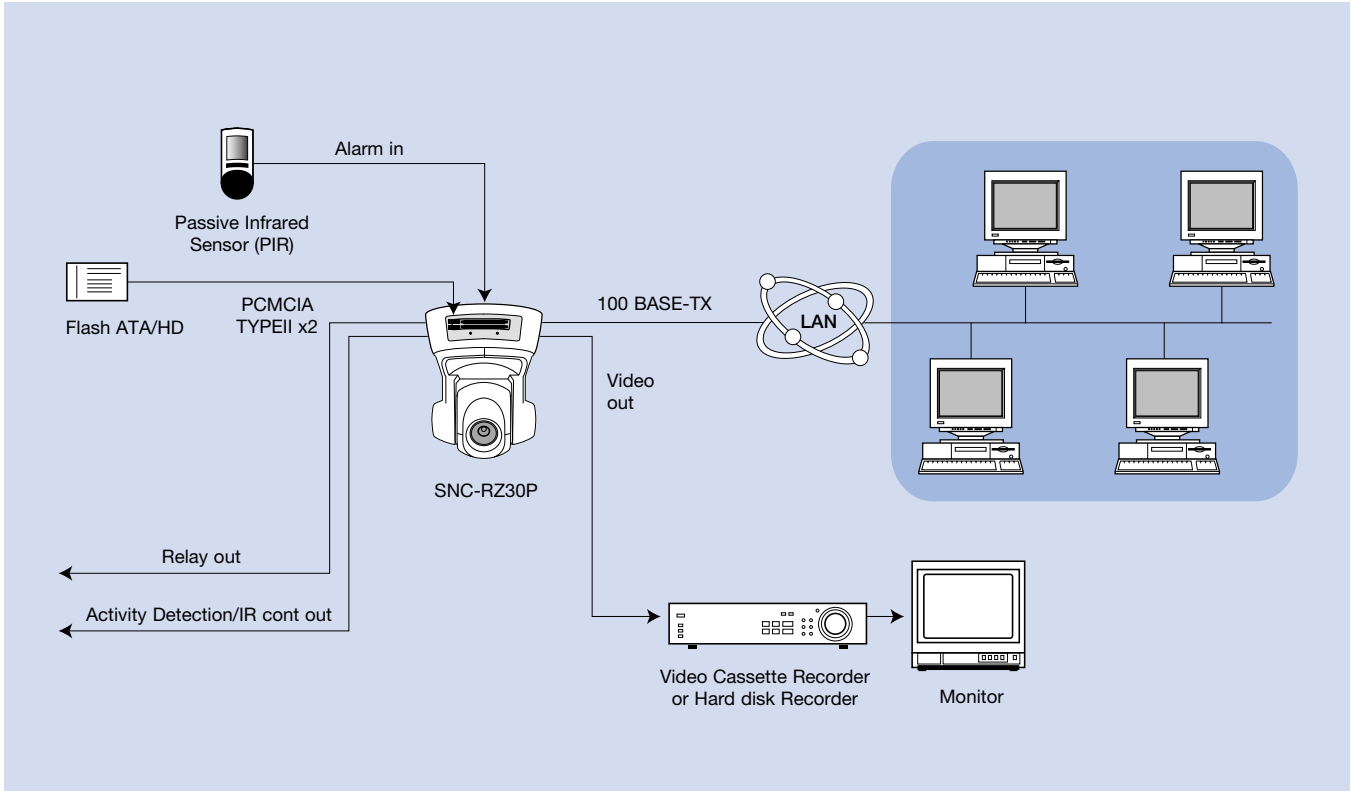
Cropping Feature

The administrator can designate an area in the image to be cropped. This feature is particularly useful when you wish to monitor a specific location. In addition, it reduces the size of the image file, making the storage and transfer of images more efficient.

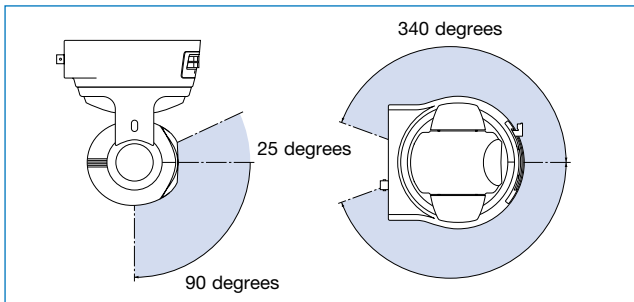
Image Stabiliser

The Image Stabiliser (On/Off) compensates oscillation of the camera.

SYSTEM EXAMPLE



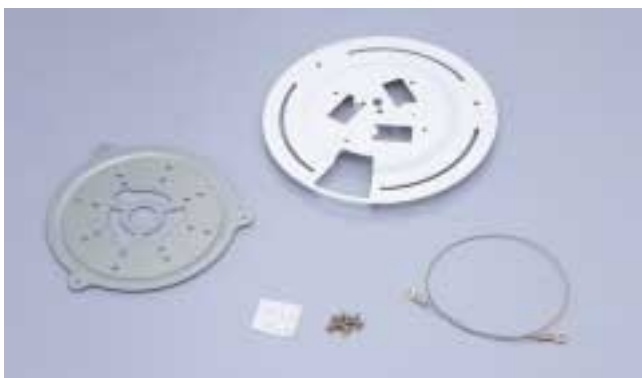
Pan/Tilt Range



Rear Panel



Supplied Accessories

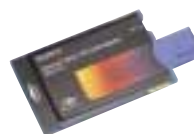


- Ceiling Mount Kit (pictured above)
- AC power adaptor
- AC power cable
- Ethernet cable (UTP category 5 cross cable)
- CD-ROM (set-up program and user's guide)
- I/O receptacle
- Installation manual
- Ferrite core

Optional Accessories



- MSA-8A/16A/32A/64A/128A**
Memory Stick
(8 MB/16 MB/32 MB/64 MB/128MB)



- MSAC-PC2**
Memory Stick/PC Card Adaptor

SNC-RZ30P SPECIFICATIONS

General

Mass	1.2 kg (2 lb 10 oz)
Dimensions (W x H x D)	140 x 175 x 144 mm (5 5/8 x 7 x 5 5/8 inches)
Power requirements	DC 12 V via AC adaptor (100 to 240 V)
Power consumption	21.6 W
Operating temperature	0 °C to + 40 °C (32 °F to 104 °F)
Storage temperature	-20 °C to + 60 °C (-4 °F to 104 °F)
Operating humidity	20% to 80% Non-condensing
Storage humidity	20% to 95% Non-condensing

Image Data

Compression	JPEG
Compression ratio	1/5 ~ 1/60 (10 steps)
Image Resolution	736 x 544, 640 x 480, 640 x 240, 320 x 240, 160 x 120
Frame rate	25 fps max. (640 x 480)

Camera

Imager	1/6 type Interline Transfer Super HAD CCD
Pixels	800,000 pixels
Electronic shutter	1 /3 to 1/10,000 sec
Exposure	Auto [Full Auto (including backlight compensation), Shutter-priority, Iris-priority] and manual
White balance	Auto, ATW, Indoor, Outdoor, One-push (trigger command), Manual
EV Compensation	-1.75 to +1.75 (15 steps)
Iris	Auto/Manual (F1.6 to close)
Gain	Auto/Manual (-3 dB to 28 dB)
Focus mode	Auto/Manual (Near, Far, One-push autofocus)

Lens

Zoom Ratio	25 x optical zoom, 300 x with digital zoom
Horizontal viewing angle	2.0° to 45°
Focal length	f = 2.4 mm to 60 mm
F-number	F1.6 (Wide), F2.7 (Tele)
Minimum object distance	Tele: 800 mm, Wide: 30 mm

Pan/Tilt

Pan angle	-170° to +170°
Pan speed	2 sec./340°
Tilt angle	-25° to +90°
Tilt speed	1.5 sec./115°

Interfaces

Ethernet	10 Base-T / 100 Base-Tx (RJ-45)
PCMCIA	Type II x 2
Sensor and I/O	Sensor input x 3, Sensor output x 2
Video Output	Analogue composite (BNC x 1)
Serial I/F	RS-232C/RS-485 transparent port

Analogue Video Output

Signal system	PAL
Sync system	Internal
Horizontal resolution	480 TV lines
S/N ratio	Better than 48 dB
Min. illumination	Colour: 3 lx at F1.6 (50 IRE) B & W: 0.18 lx at F1.6 (50 IRE)

System/Network

CPU	32 bit RISC Embedded processor
Embedded flash memory	32 MB (includes 8 MB alarm buffer)
RAM	32 MB (includes 8 MB alarm buffer)
Browser	MS Internet Explorer v 5.5 and 6.0 (Windows98/ME/NT4.0/2000)
Security	IP-filtering, Password protection
Protocols supported	TCP/IP, HTTP, ARP, ICMP, DHCP, FTP, SMTP and SNMP (Standard MIB)

Sony address/contact details/dealer stamp

SONY

www.sonybiz.net/netstation

SONY BROADCAST & PROFESSIONAL EUROPE
Sony is a registered trademark of the Sony Corporation, Japan.

Features and specifications are subject to change without notice.
All non-metric weights and measurements are approximate.

Memory Stick is a trademark of Sony Corporation.
All other trademarks are the property of their respective owners.

CA SNC-RZ30P/GB-10/06/2002