

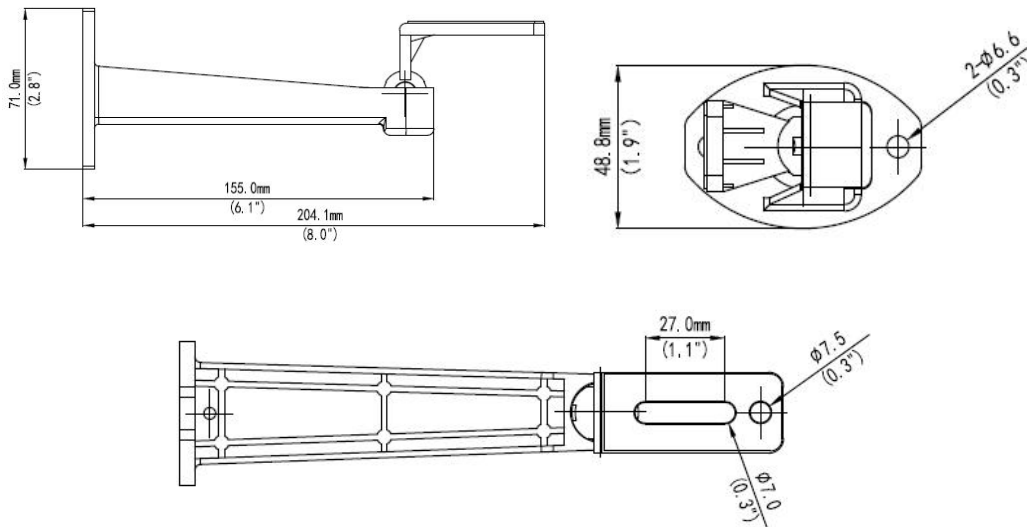
TR-WM06-F Bullet Wall Mount



Specifications

Bracket	TR-WM06-F
Application	wall installation for 2CX Bullet without 3-axis bracket
Dimensions	204mmx71mmx49mm(8.03" x 2.79"x1.92")
Weight	132g(0.29lb)
Material	Aluminum alloy

Dimensions



Zhejiang Uniview Technologies Co.,Ltd.

South Tower, Building 10, Wanlun Science Park, 88 Jiangling Road, Hangzhou, P.R.China 310051

Email: overseasbusiness@uniview.com; globalsupport@uniview.com

<http://www.uniview.com>

©2019 Zhejiang Uniview Technologies Co.,Ltd. All rights reserved.

*Product specifications and availability are subject to change without notice.