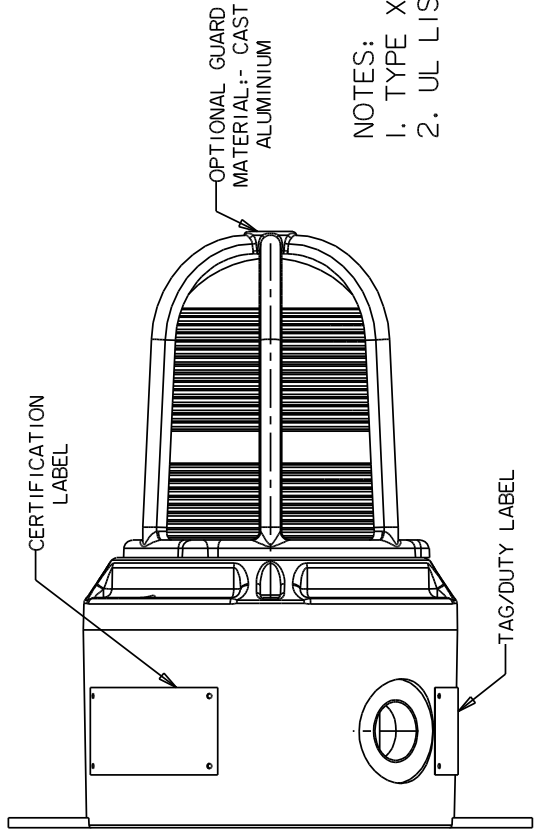
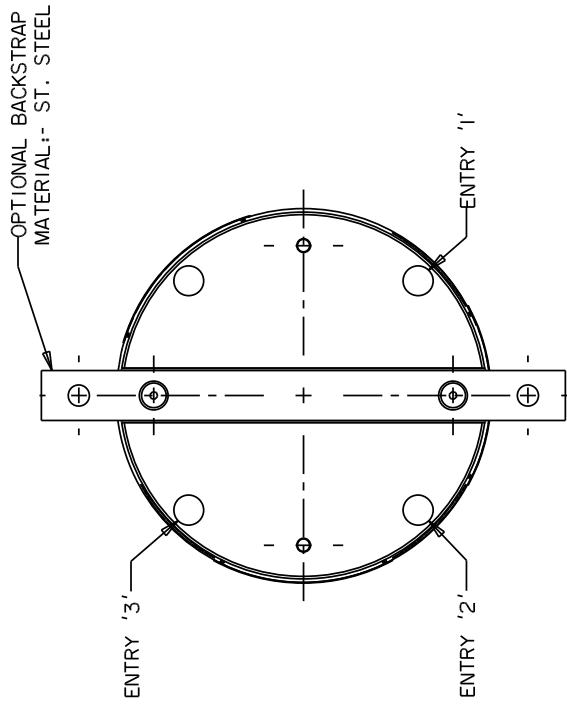
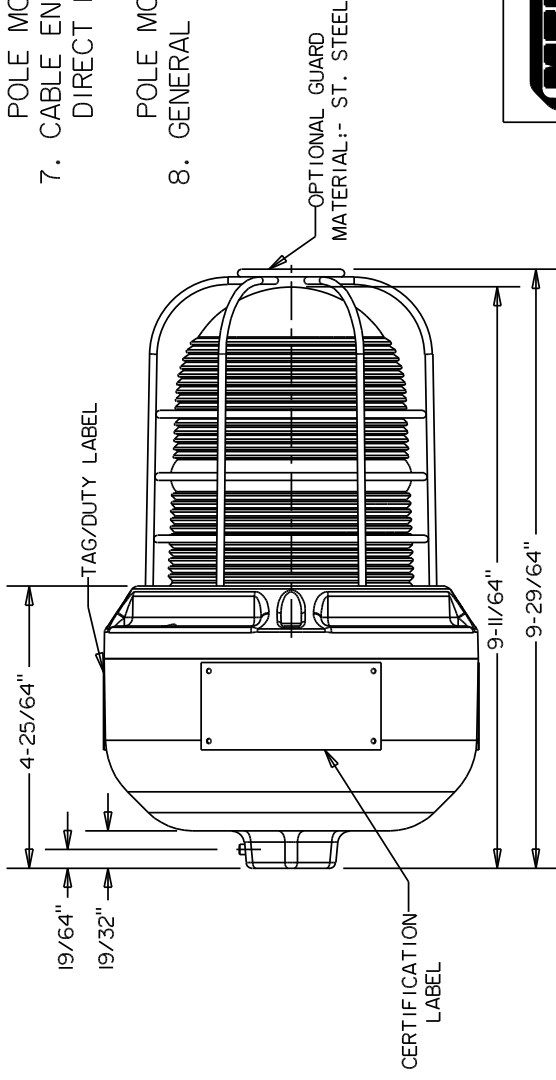
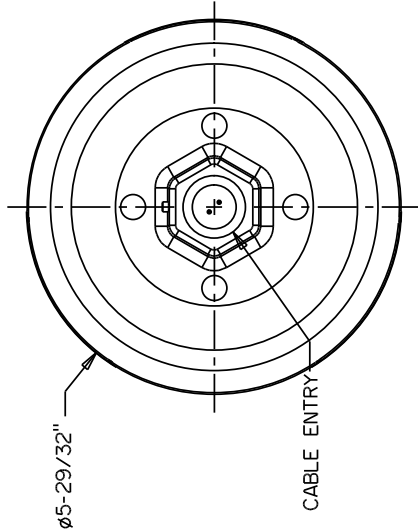


276-155

DIRECT MOUNT VERSION



POLE MOUNT VERSION



NOTES:

1. TYPE XB15 XENON STROBE
2. UL LISTING No. E187894, CLASS I, DIV. 2 GROUPS A-D
CLASS I, ZONE 1 AExd IIC T5/T6
T6 (-67°F TO +131°F)
T5 (-67°F TO +158°C)
3. WEIGHT:- POLE MOUNT VERSION - 5.75 ±0.5 lbs
DIRECT MOUNT VERSION - 6.5 ±0.5 lbs
4. ENCLOSURE AND COVER MATERIAL:- GLASS
REINFORCED POLYESTER
5. OPTIONAL TAG/DUTY LABEL, LETTER SIZE 3/16" MAX.
6. TERMINALS ARE SUITABLE FOR THE FOLLOWING:-
DIRECT MOUNT:- UP TO 12-WAY, 440V, 25A, 14AWG
POLE MOUNT:- UP TO 8-WAY, 440V, 25A, 14AWG
7. CABLE ENTRIES:-
DIRECT MOUNT:- UP TO 3 x 1/2"NPT OR 3 x 3/4"NPT
POLE MOUNT:- 1 x 1/2"NPT OR 1 x 3/4"NPT
POS. '1', '2', & '3'
8. GENERAL TOLERANCE: 1/32" UOS



MEDC Ltd, Colliery Road, Pinxton
Nottingham NG16 6JF, U.K.
Tel: +44 (0)1773 864100
Fax: +44 (0)1773 582800
e-mail: info@medc.com web: www.medc.com

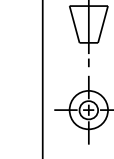
DESIGNERS & MANUFACTURERS	TITLE	SHT
OF ELECTRICAL & ELECTRONIC	XB15 UL	1
EQUIPMENT & SYSTEMS FOR	CUSTOMER GA	OF 2
HAZARDOUS AREAS		
DRWN BY: P.FISHWICK	DATE: 26/06/03	
CHEK BY: M.SLACK	DATE: 11/07/03	
APPR BY: P.FISHWICK	DATE: 11/07/03	
SCALE: N.T.S	SIZE: A3	DRG No. 276-155
		ISSUE A

THIS DRAWING IS CONFIDENTIAL AND IS THE PROPERTY OF MEDC AND MUST NOT BE REPRODUCED EITHER WHOLLY OR PARTLY. ALL RIGHTS IN RESPECT OF PATENTS, DESIGNS AND COPYRIGHT ARE RESERVED.

ALL DIMENSIONS ARE IN MILLIMETRES UNLESS OTHERWISE STATED
REMOVE ALL BURRS AND SHARP CORNERS
MACHINE SYMBOLS THUS

ISSUES

DO NOT SCALE

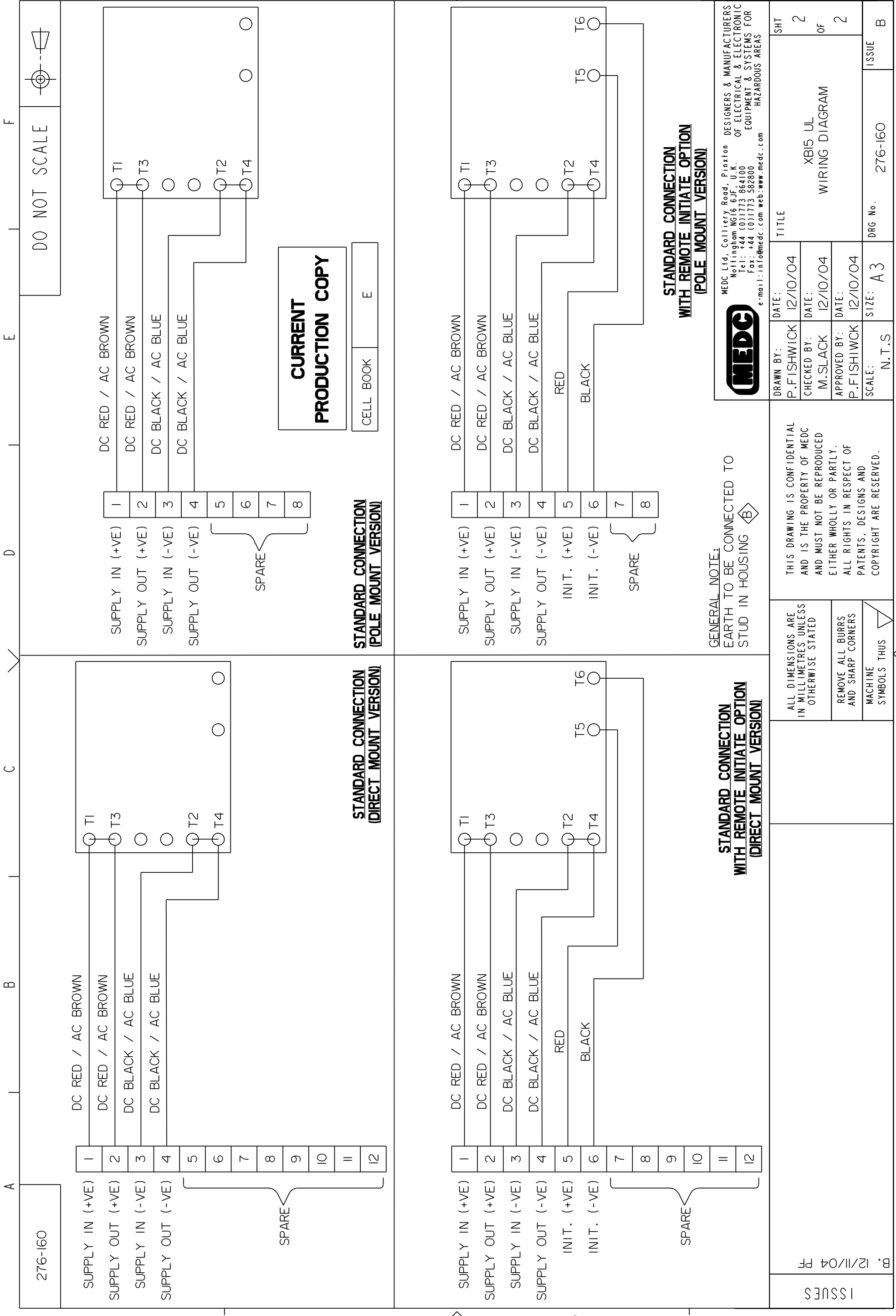


A B C D E F

2

3

4



DRAWN BY: P.FISHWICK	DATE: 12/10/04	TITLE: XB15 UL WIRING DIAGRAM	SHT 2
CHECKED BY: M.SLACK	DATE: 12/10/04	OF 2	
APPROVED BY: P.FISHWICK	DATE: 12/10/04		
SCALE: N.T.S	SIZE: A3	DRG No. 276-160	ISSUE B

THIS DRAWING IS CONFIDENTIAL AND IS THE PROPERTY OF MEDC AND MUST NOT BE REPRODUCED EITHER WHOLLY OR PARTLY. ALL RIGHTS IN RESPECT OF PATENTS, DESIGNS AND COPYRIGHT ARE RESERVED.

ALL DIMENSIONS ARE IN MILLIMETRES UNLESS OTHERWISE STATED

REMOVE ALL BURRS AND SHARP CORNERS

MACHINE SYMBOLS THUS

ISSUES	B. 12/11/04 PF
---------------	-----------------------