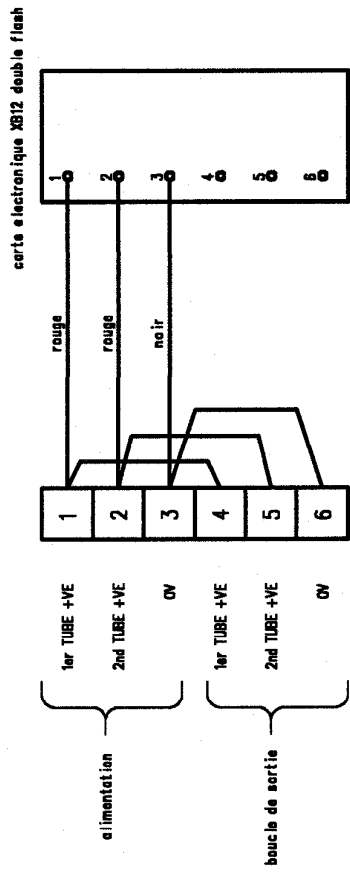
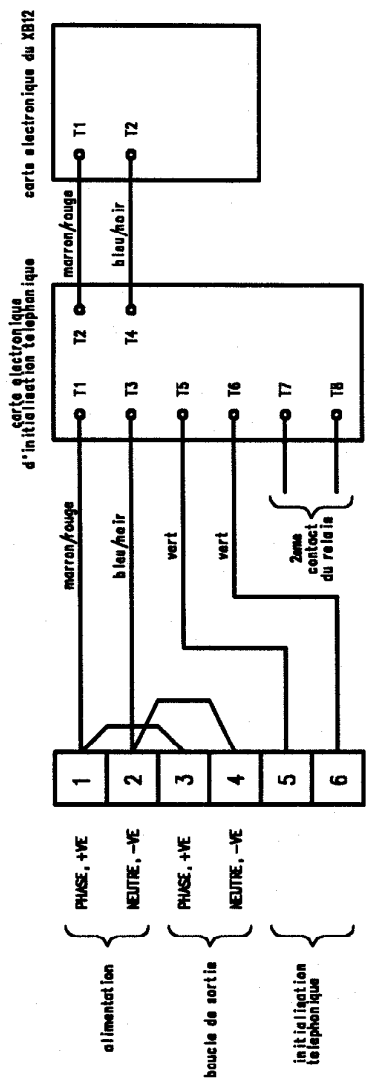


Schema de raccordement pour XB12 a double tube xenon en parallele



Schema de raccordement pour XB12 avec activation individuelle des tubes



Raccordement avec initialisation téléphonique

ISSUES

ALL DIMENSIONS ARE IN MILLIMETRES UNLESS OTHERWISE STATED  
**REMOVE ALL BLANKS AND SWAP BONES**  
 MACHINE SYMBOLS THIS   $\mu$ m

THIS DRAWING IS CONFIDENTIAL AND IS THE PROPERTY OF MEDC AND MUST NOT BE REPRODUCED EITHER WHOLLY OR PARTLY. ALL RIGHTS IN RESPECT OF PATENTS, DESIGNS AND COPYRIGHT ARE RESERVED.

DRAWN BY:	S. HUNT
CHECKED BY:	B. MALBON
APPROVED BY:	B. TAYLOR
SCALE:	NTS
DATE:	28-03-02
DATE:	09-04-02
DATE:	09-04-02
SIZE:	A3
DRG No.:	226-252
ISSUE:	A

TITLE  
**CUSTOMER WIRING DIAGRAM**  
 XB12

MEDC, Colley Road, Plixton, Nottingham NG16 6JF, U.K.  
 Tel: +44 (0)1773 812249  
 Fax: +44 (0)1773 580282

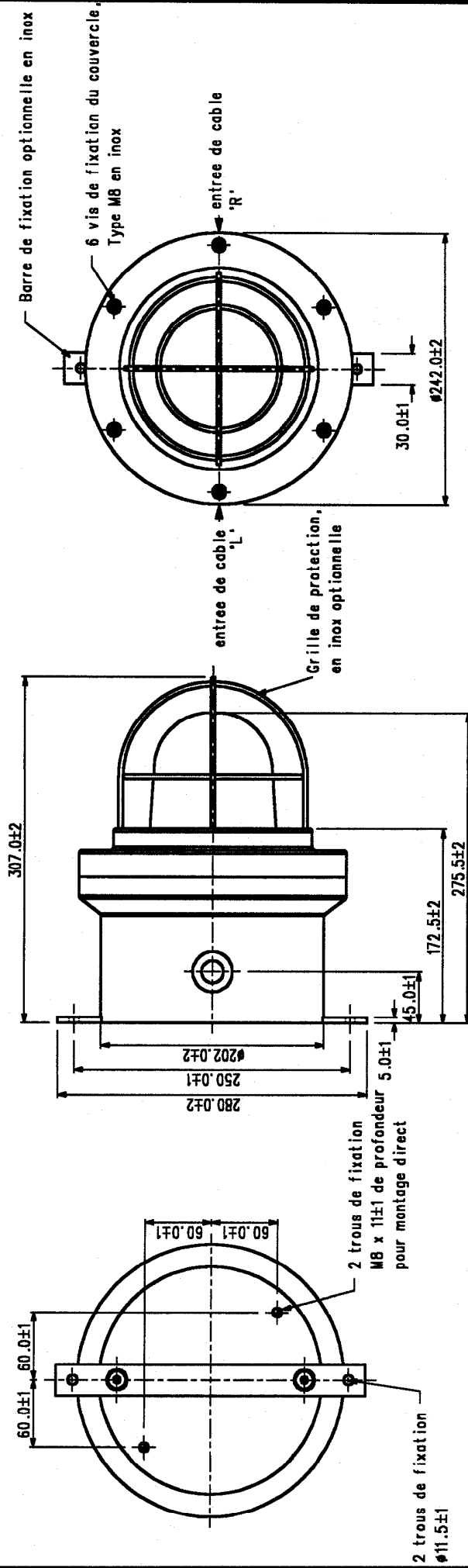
DESIGNERS & MANUFACTURERS OF ELECTRICAL & ELECTRONIC EQUIPMENT & SYSTEMS FOR HAZARDOUS AREAS



DO NOT SCALE

- 5/ Marques ophonnes. Hauteu des lettres 5mm max.
- 6/ 6 bonnes de connexion, 690V/41A/6mm<sup>2</sup>
- 7/ 2 Entrees de cable M20 x 1.5 MAX, en position 'L' et 'R'
- 8/ Pate d'etancheite HYLOMAR PL32 a appliquer avec tous les bouchons obturateurs certifies

- 1/ Feu a eclats modele XB12.
- 2/ Certification No. - BAS99ATEX2196  
1126 EExd T4 (T.Amb.-55°C to +55°C)  
T5 (T.Amb.-55°C to +40°C)
- 3/ Poids:- 7.0Kg ±0.3
- 4/ Boitier et couvercle:- Polyester renforce de fibre de verre



**MEDC**  
 MEDC, Colliery Road, Pinxton,  
 Nottingham NG16 6JF, U.K.  
 Tel: +44 (0)1773 812249  
 Fax: +44 (0)1773 580282

DESIGNERS & MANUFACTURERS  
 OF ELECTRICAL & ELECTRONIC  
 EQUIPMENT & SYSTEMS FOR  
 HAZARDOUS AREAS

ISSUES	ALL DIMENSIONS ARE IN MILLIMETRES UNLESS OTHERWISE STATED	DRAWN BY: <b>S. HUNT</b>	DATE: <b>28-03-02</b>	TITLE <b>CUSTOMER GENERAL</b>
	REMOVE ALL BURRS AND SHARP EDGES	CHECKED BY: <b>B. MALBON</b>	DATE: <b>09-04-02</b>	<b>ARRANGEMENT - XB12</b>
	MACHINE SYMBOLS THUS	APPROVED BY: <b>B. TAYLOR</b>	DATE: <b>09-04-02</b>	DRG No. <b>226-251</b>
		SCALE: <b>N.T.S.</b>	SIZE <b>A4</b>	ISSUE <b>A</b>

Toutes les dimensions sont en millimetres

THIS DRAWING IS CONFIDENTIAL AND IS THE PROPERTY OF MEDC AND MUST NOT BE REPRODUCED EITHER WHOLLY OR PARTLY. ALL RIGHTS IN RESPECT OF PATENTS, DESIGNS AND COPYRIGHT ARE RESERVED.