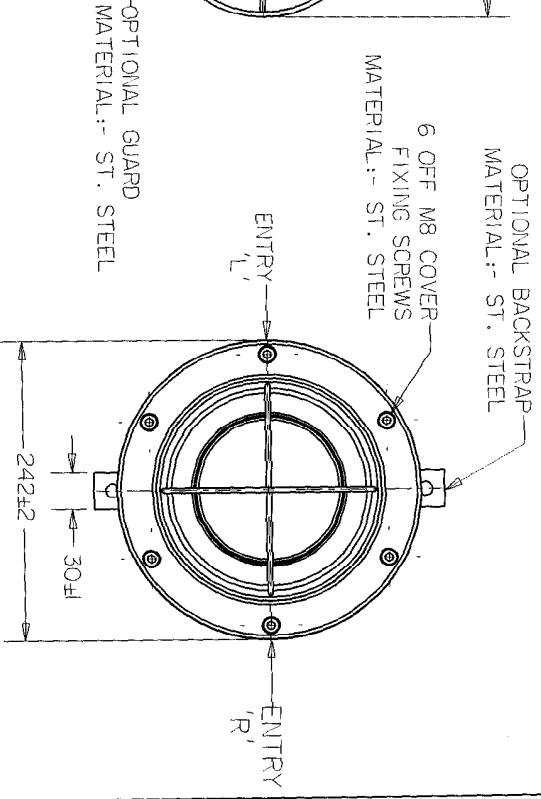
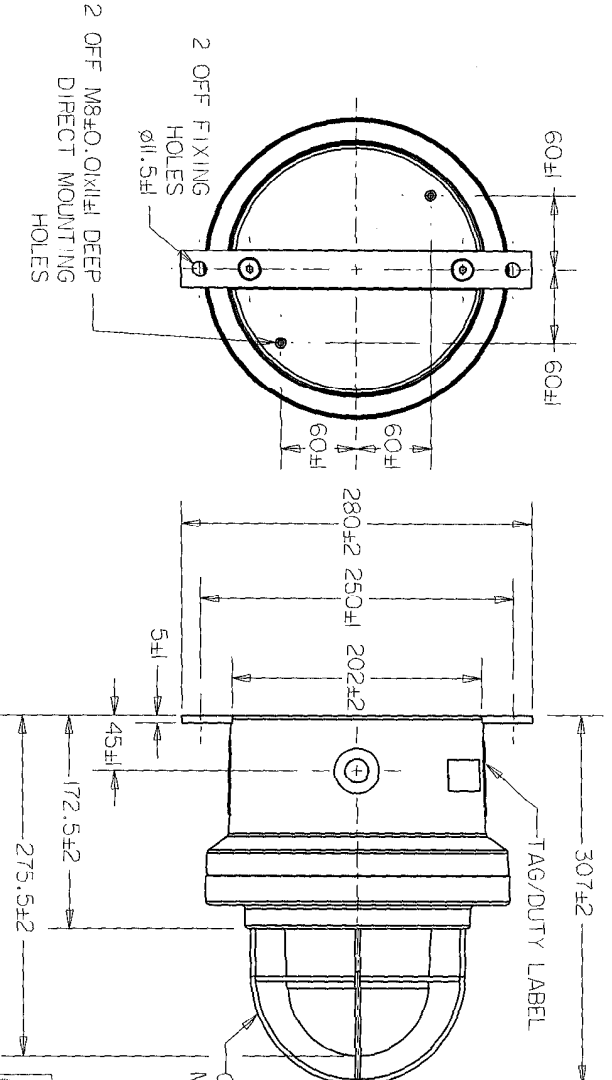


DO NOT SCALE



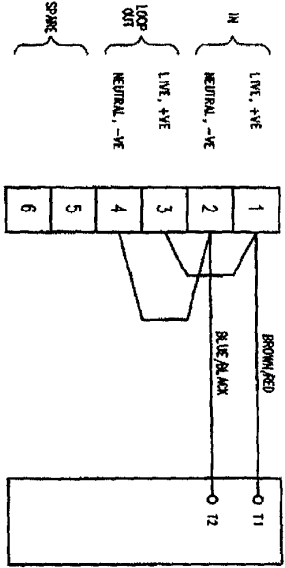
1. TYPE XB12 XENON BEACON
2. CERTIFICATION No. BAS99ATEX2196
 1) 2 G EEx d IIB T4 Tamb. -55°C TO +55°C
 T5 (Tamb. -55°C TO +40°C)
3. WEIGHT:- 7.0Kg ±0.3
4. ENCLOSURE & COVER MATERIAL:- GLASS REINFORCED POLYESTER
5. OPTIONAL TAG/DUTY LABEL. LETTER SIZE 5mm MAX.
6. TERMINALS SUITABLE FOR UP TO 6-WAY 690V 4IA 6.0mm² MAX
7. CABLE ENTRIES 2 x M20 x 1.50 MAX @ POSITIONS 'L' AND 'R'
8. HYLOMAR PL32 SEALANT APPLIED TO ALL CERTIFIED BLANKING PLUGS



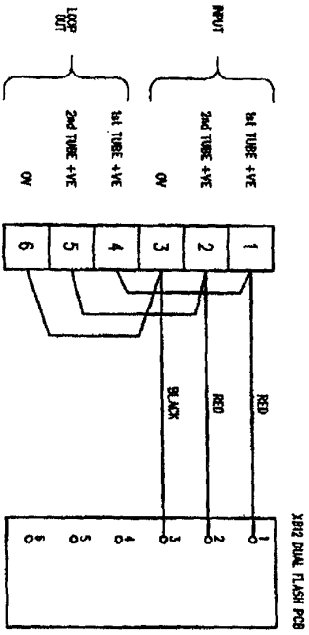
ISSUES		MACHINE SYMBOLS THIS		TYPE DRAWING IS CONFIDENTIAL AND IS THE PROPERTY OF MEDC AND MUST NOT BE REPRODUCED EITHER WHOLLY OR PARTLY. PATENTS, DESIGNS AND COPYRIGHT ARE RESERVED		DRAWN BY: M. SELDEN DATE: 22/11/99		TITLE	
B. 09/10/02 PF		REMOVE ALL BURRS AND SHARP CORNERS		ALL DIMENSIONS ARE IN MILLIMETERS UNLESS OTHERWISE STATED		CHECKED BY: G.H. DATE: 22/11/99		XB12 ATEX CERTIFICATION CUSTOMER GA	
		A				APPROVED BY: M. SELDEN DATE: 22/11/99		DRG No. 226-139	
						SCALE: N.T.S.		SIZE: A4	
								ISSUE B	

MEDC
 MEDC Ltd, Colliery Road, Preston
 Lancashire, PR1 2JH, U.K.
 Tel: +44 (0)1773 532111
 Fax: +44 (0)1773 532200
 e-mail: info@medc.com web: www.medc.com

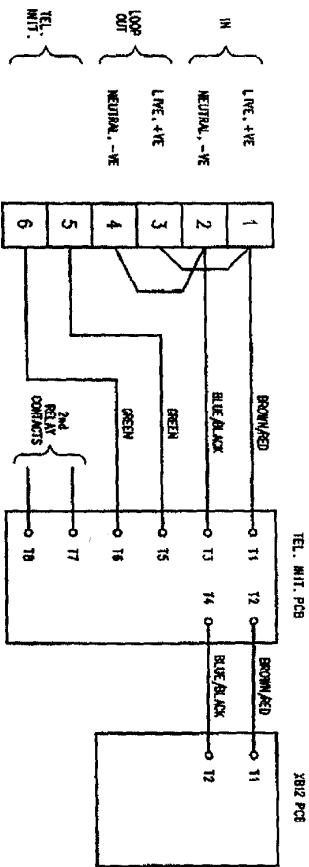
DESIGNERS & MANUFACTURERS
 OF ELECTRICAL & ELECTRONIC
 EQUIPMENT & SYSTEMS FOR
 HAZARDOUS AREAS



WIRING DETAILS FOR XB12 PARALLEL OPERATION TWIN TUBE ONLY.



WIRING DETAILS FOR XB12 INDIVIDUAL TUBE OPERATION ONLY.



TELEPHONE INITIATE WIRING DETAILS

WARNING
THIS DRAWING RELATES TO A CERTIFIED PRODUCT. NO MODIFICATIONS PERMITTED WITHOUT THE AUTHORISATION OF THE TECHNICAL MANAGER

CURRENT
PRODUCTION COPY

ISSUES

B. 12-07-00 SH
C. 07-08-00 SH
D. 04-12-00 SH

ORG ISSUED TO

NO.	ISSUES	DATE
1	1	12-07-00
2	2	07-08-00
3	3	04-12-00

ALL DIMENSIONS ARE IN MILLIMETRES UNLESS OTHERWISE STATED.
NEUTRAL WIRING AND EARTH BONDING MACHINE SYMBOLS THIS

THIS DRAWING IS CONFIDENTIAL AND IS THE PROPERTY OF MEDCO AND MUST NOT BE REPRODUCED EITHER WHOLLY OR PARTLY. ALL RIGHTS IN RESPECT OF PATENTS, DESIGNS AND COPYRIGHT ARE RESERVED.

DESIGNERS & MANUFACTURERS OF ELECTRICAL & ELECTRONIC EQUIPMENT & SYSTEMS FOR HAZARDOUS AREAS

DATE: 14-8-98
CHECKED BY: S. J. O'NEILL
DATE: 3-9-98
APPROVED BY: H. DOWNS
DATE: 1-9-98
SCALE: NTS SIZE: A3

TITLE: WIRING DETAILS
XB12 XENON BEACON

DRG NO: 226-109 ISSUE: D



MEDCO, Colony Road, Pinner, Middlesex, UK.
Tel: +44 (0)1753 80220
Fax: +44 (0)1753 80202