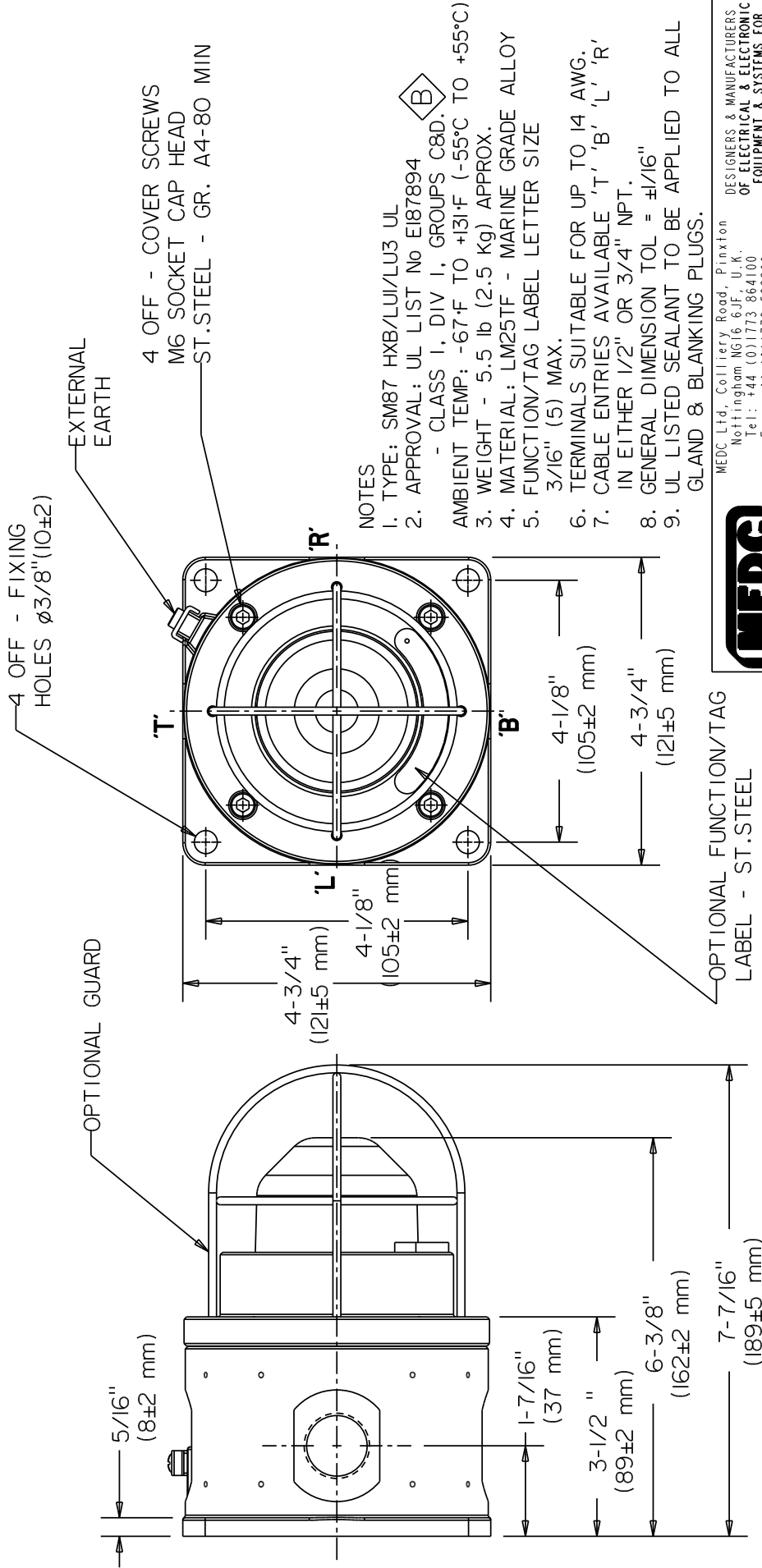


DO NOT SCALE



NOTES

1. TYPE: SM87 HXB/LUI/LU3 UL
2. APPROVAL: UL LIST No E187894  
 - CLASS 1, DIV 1, GROUPS C8D. B
3. AMBIENT TEMP: -67°F TO +131°F (-55°C TO +55°C)
4. WEIGHT - 5.5 lb (2.5 kg) APPROX.
5. MATERIAL: LM25TF - MARINE GRADE ALLOY
6. FUNCTION/TAG LABEL LETTER SIZE 3/16" (5) MAX.
7. TERMINALS SUITABLE FOR UP TO 14 AWG. CABLE ENTRIES AVAILABLE 'T', 'B', 'L', 'R' IN EITHER 1/2" OR 3/4" NPT.
8. GENERAL DIMENSION TOL = ±1/16"
9. UL LISTED SEALANT TO BE APPLIED TO ALL GLAND & BLANKING PLUGS.

**MEDC**

MEDC Ltd, Colliery Road, Pinxton  
 Nottingham NG16 6JF, U.K.  
 Tel: +44 (0)1773 864100  
 Fax: +44 (0)1773 582800  
 e-mail: [info@medc.com](mailto:info@medc.com) web: [www.medc.com](http://www.medc.com)

DESIGNERS & MANUFACTURERS  
 OF ELECTRICAL & ELECTRONIC  
 EQUIPMENT & SYSTEMS FOR  
 HAZARDOUS AREAS

ISSUES	B. 13/12/00 MDS	THIS DRAWING IS CONFIDENTIAL AND IS THE PROPERTY OF MEDC AND MUST NOT BE REPRODUCED EITHER WHOLLY OR PARTLY. ALL RIGHTS IN RESPECT OF PATENTS, DESIGNS AND COPYRIGHT ARE RESERVED	DRAWN BY: GH	DATE: 11/8/00	TITLE
	C. 22/03/01 PF	REMOVE ALL BURRS AND SHARP CORNERS	CHECKED BY: M.SELDEN	DATE: 11/8/00	SM87 HXB, LUI & LU3 CUSTOMER G.A. (UL APPROVED)
	ISSUES	MACHINE SYMBOLS THIS <input checked="" type="checkbox"/>	APPROVED BY: G.HODGKINSON	DATE: 11/8/00	
			SCALE: 1:2.5	SIZE: A4	DRG No. 245-104
			ISSUE C		