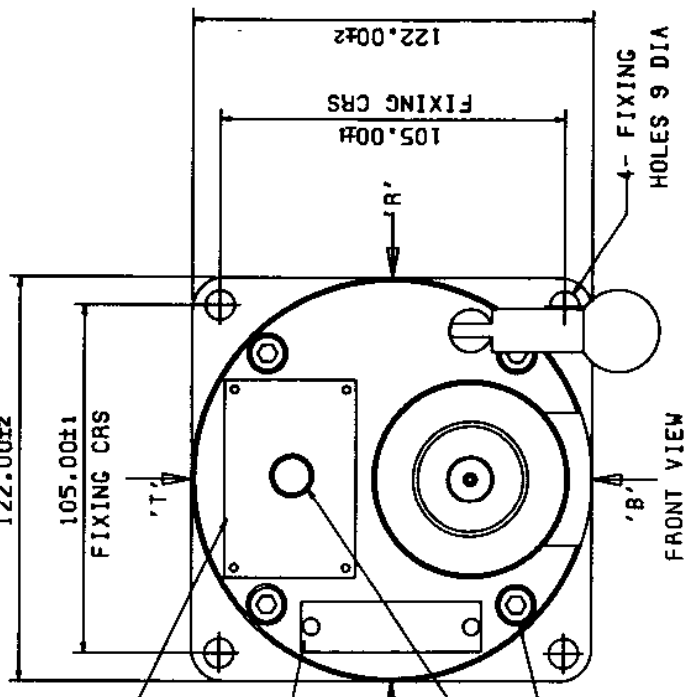
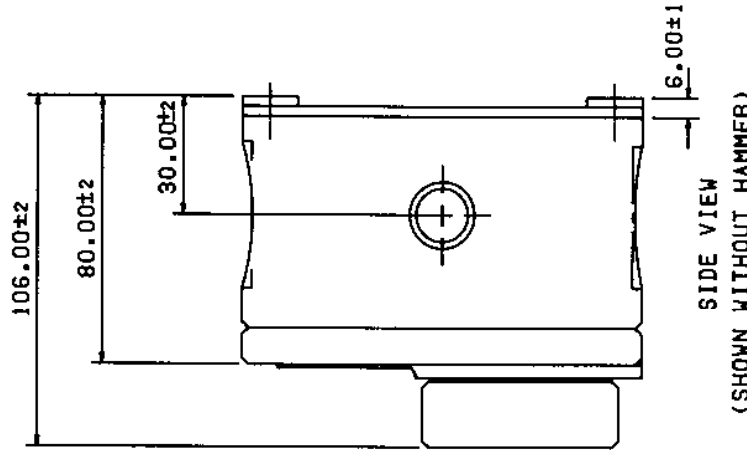




DO NOT SCALE

- 5/ FUNCTION LABEL LETTER SIZE 5mm MAX
- 6/ TERMINALS SUITABLE FOR UP TO 2.5mm SQ CABLE
- 7/ CABLE ENTRIES AVAILABLE AT "T" "B" "L" "R"
- 8/ HYLOMAR PL32 SEALANT APPLIED TO ALL CERTIFIED BLANKING PLUGS

- 1/ TYPE SM87BG
- 2/ CERTIFICATION No. BASEEFA Ex85B1037 EExdIICT6
Ex84B2086 EExibIICT4
- 3/ WEIGHT 3.7±0.2 kg
- 4/ MATERIAL STAINLESS STEEL GRADE 316/ANC 4B TO BS 3146:1975



- OPTIONAL FUNCTION LABEL MATERIAL - 316 S. STEEL
- OPTIONAL TAG LABEL MATERIAL 316 S. STEEL
- OPTIONAL L.E.D
- 4- COVER FIXING SCREWS M6 x 12LG GRADE A4-70 (MIN)



MEDC, Colliery Road, Pinxton,
Nottingham NG16 6JF, U.K.
Tel: Ripley (0773) 812249
Fax: (0773) 580282

ISSUES B-1-2-92 CF REPLOTTED.	TITLE SM87 BG GENERAL ARRANGEMENT.		DRG NO S/047-01-02	ISSUE B
	DRN. CF 20/11/92	CHD SM	AP'D SM	SCALE
WELDING TERMS & SYMBOLS TO BS 499 PART 2 CARBON STEEL TO BE WELDED IN ACCORDANCE WITH BS 5135 STAINLESS STEEL TO BE WELDED IN ACCORDANCE WITH BS 3019 PT 2 - 1980 WELDS TO BE FREE FROM SLAG & SPLATTER		MACHINE SYMBOLS THIS ∇ μ m REMOVE ALL BURRS AND SHARP EDGES TOLERANCES GEN. ± 0.5 MC OR CRS ± 0.3	THIS DRAWING IS CONFIDENTIAL AND IS THE PROPERTY OF MEDC AND MUST NOT BE REPRODUCED EITHER WHOLLY OR PARTLY ALL RIGHTS IN RESPECT OF PATENTS, DESIGNS AND COPYRIGHT ARE RESERVED.	
MTRIC DIMENSIONS ONLY (U.O.S.)				