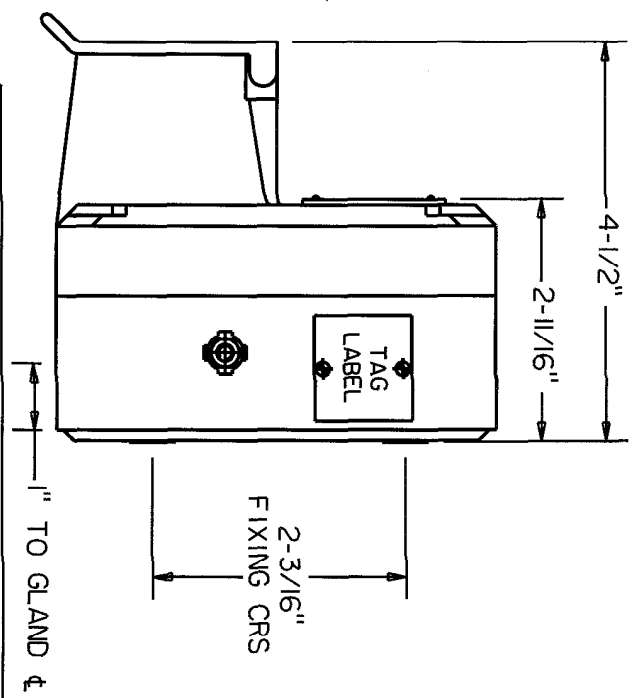
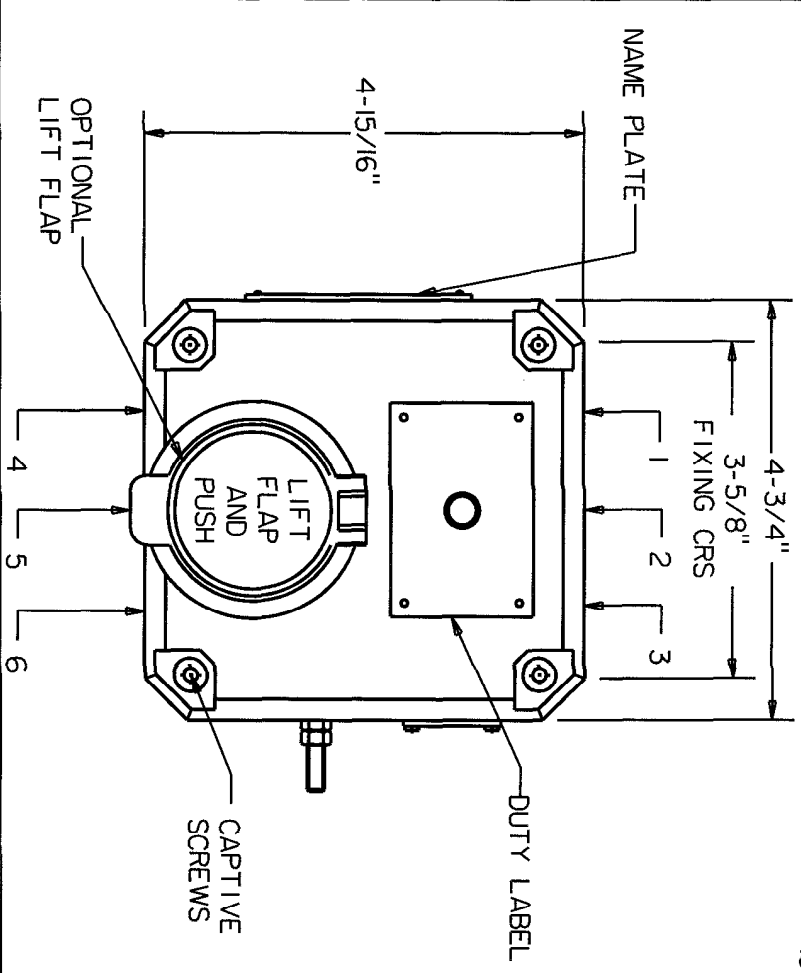


DO NOT SCALE



1. TYPE: PB
2. UL LISTING NO. E186629, CLASS 1, DIV.2, GROUPS A,B,C,D  
AMBIENT TEMP. -13°F TO +131°F
3. WEIGHT:- 2.6 LBS APPROX.
4. MATERIAL:- GLASS REINFORCED POLYESTER
5. IDENTITY/TAG LABEL LETTER SIZE 3/16" MAX.
6. TERMINALS SUITABLE FOR UP TO 14 AWG

7. UP TO 4 OFF 1/2" NPT ENTRIES AVAILABLE
8. UL LISTED SEALANT TO BE APPLIED TO ALL CLANDS
8. BLANKING PLUGS
9. GENERAL TOLERANCE ±3/32"
10. FIXING HOLES Ø3/16" (4 OFF POS.)



**MEDE**  
 MEDC Ltd, Colliery Road, Pinerock  
 Huddersfield, West Yorkshire, G12 9JL, U.K.  
 Tel: +44 (0)1474 772864/60  
 Fax: +44 (0)1474 502809  
 e-mail: info@medc.com web: www.medc.com

DESIGNERS & MANUFACTURERS  
 OF ELECTRICAL & ELECTRONIC  
 EQUIPMENT & SYSTEMS FOR  
 HAZARDOUS AREAS

ISSUES	B. 08/01/01 MDS		ALL DIMENSIONS ARE IN MILLIMETRES UNLESS OTHERWISE STATED REMOVE ALL BURRS AND SHARP CORNERS PATENTS, DESIGNS AND COPYRIGHT ARE RESERVED		THIS DRAWING IS CONFIDENTIAL AND IS THE PROPERTY OF MEDC AND MUST NOT BE REPRODUCED EITHER WHOLLY OR PARTLY. ALL RIGHTS IN RESPECT OF PATENTS, DESIGNS AND COPYRIGHT ARE RESERVED		DRAWN BY: M.SELDEN DATE: 14/08/00 CHECKED BY: G.HODGKINSON DATE: 14/08/00 APPROVED BY: M.SELDEN DATE: 14/08/00 SCALE: NTS SIZE: A4		TITLE PB MANUAL CALL POINT CUSTOMER GA UL VERSION		DRG No. 380-251	ISSUE B
	MACHINE SYMBOLS THUS <b>A</b>											