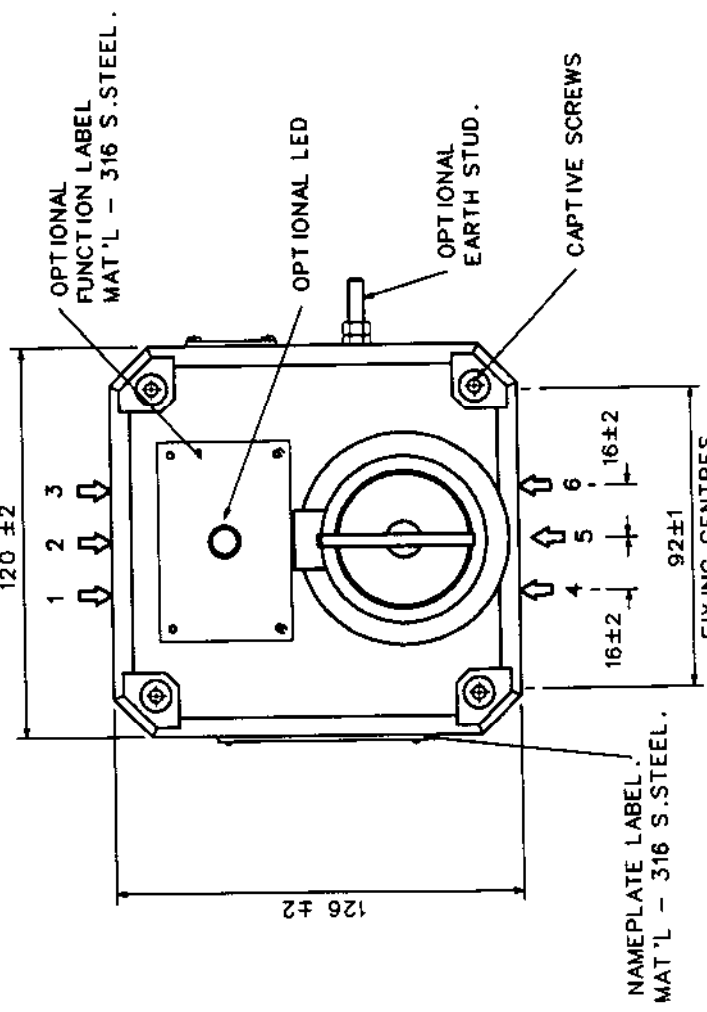
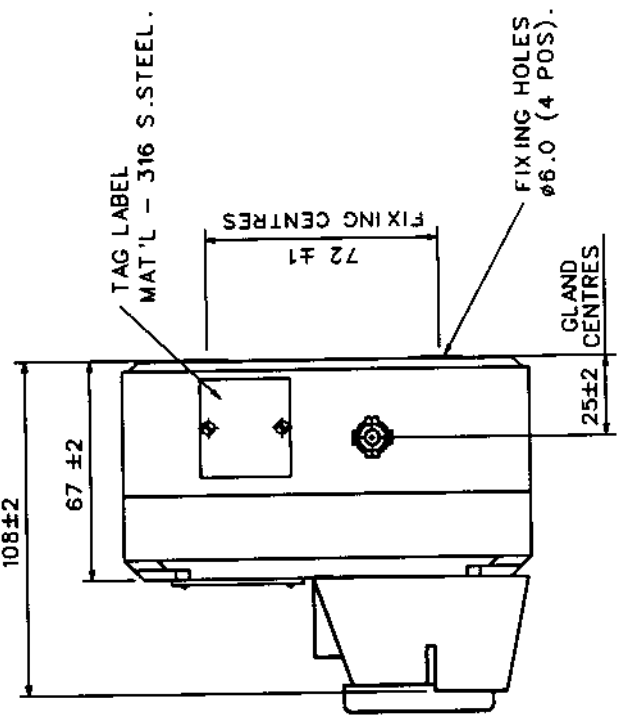


DO NOT SCALE

- 6/ NAMEPLATE LABEL LETTER SIZE 3mm MAX.
- 7/ TAG LABEL LETTER SIZE 5mm MAX.
- 8/ TERMINALS SUITABLE FOR UP TO 2.5mm SQ CABLE AS STANDARD, OR SUITABLE FOR UP TO 4.0mm SQ. CABLE AVAILABLE ON REQUEST.
- 9/ CABLE ENTRIES AVAILABLE AT "1" "2" "3" "4" "5" & "6". A MAXIMUM OF TWO ENTRIES PER FACE IN POSITIONS 1&3 OR 4&6.

- 1/ TYPE PBE.I.W TURN & PUSH
- 2/ CERTIFICATION No. PBE :- BASEEFA Ex93C3052X
EEx emd II T4 OR EEx ed II T6.
PBI :- BASEEFA Ex90C2373 EEx ig IIC T4.
PBW :- INDUSTRIAL.
- 3/ WEIGHT 1.3kg ±0.2
- 4/ MATERIAL :- BLACK GLASS FILLED POLYESTER.
- 5/ FUNCTION LABEL LETTER SIZE 5mm MAX.
120 ±2



DESIGNERS & MANUFACTURERS
OF ELECTRICAL & ELECTRONIC
EQUIPMENT & SYSTEMS FOR
HAZARDOUS AREAS

MECC, GENERAL EXPORTS,
100, WILKINSON ROAD,
SINGAPORE 111207.
Tel: +65 (0) 373 0239
Fax: +65 (0) 373 59293

DATE: 20-09-00
DRAWN BY: S. HUNT
CHECKED BY: S. HUNT
APPROVED BY: S. HUNT
SCALE: A2

CUSTOMER GENERAL
ARRANGEMENT
PBE.I.W TURN & PUSH

DRG NO: 380-259
ISSUE: A

THIS DRAWING IS CONFIDENTIAL
PROPERTY OF MECC
AND IS NOT TO BE REPRODUCED
EITHER WHOLLY OR PARTLY
WITHOUT THE WRITTEN
CONSENT OF MECC.
ALL RIGHTS IN RESPECT OF
PATENTS, DESIGNS AND
COPYRIGHT ARE RESERVED

ALL DIMENSIONS ARE
IN MILLIMETRES UNLESS
OTHERWISE STATED
REMOVE ALL BARRIERS
AND SHARP EDGES
MACHINE SYMBOLS THIS
DRAWING

ISSUES