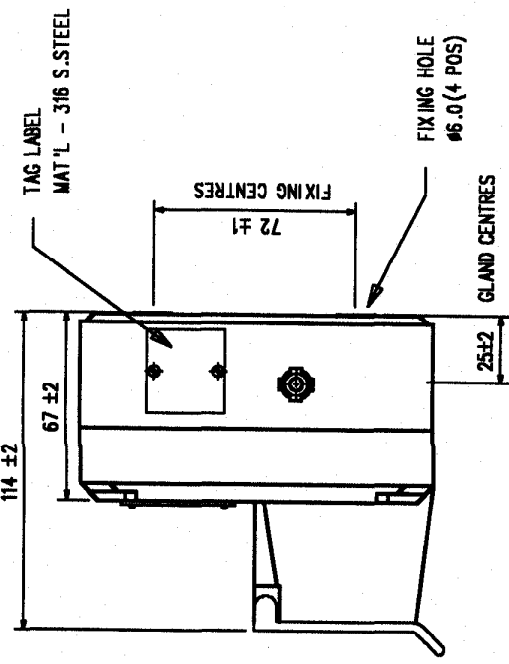
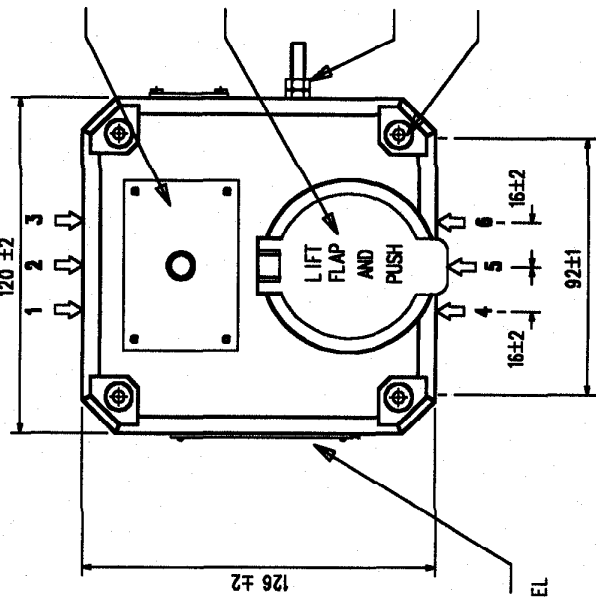


DO NOT SCALE

- 1/ TYPE PBE I,W.
- 2/ CERTIFICATION No. PBE:- Baseefa BASO2ATEX210SX  
T135°C EEx emd IIC T4 (-20°C Tamb +50°C)  
OR T85°C EEx ed IIC T6 (-20°C Tamb +50°C)  
PBE:- BASEEFA Ex90C2373 EEx ia IIC T4  
PBE:- INDUSTRIAL
- 3/ WEIGHT:- 1.3kg±0.2
- 4/ MATERIAL:- BLACK GLASS FILLED POLYESTER.

- 5/ FUNCTION LABEL LETTER SIZE 5mm MAX.
- 6/ NAMEPLATE LABEL LETTER SIZE 3mm MAX.
- 7/ TAG LABEL LETTER SIZE 5mm MAX.
- 8/ TERMINALS SUITABLE FOR UPTO 2.5mm SQ. CABLE AS STANDARD,  
OR SUITABLE FOR UPTO 4.0mm SQ. CABLE AVAILABLE ON REQUEST.
- 9/ CABLE ENTRIES AVAILABLE AT "1" "2" "3" "4" "5" & "6".  
A MAXIMUM OF TWO ENTRIES PER FACE IN POSITIONS 1 & 3 OR 4 & 6.
- 10/ RESET KEY PROVIDED FOR LATCHING VERSION /BATCH.



MEDC Ltd, Colliery Road, Pinxton,  
Nottingham NG16 6JF, U.K.  
Tel: +44 (0)1773 864100  
fax: +44 (0)1773 582800  
e-mail: info@medc.com  
web: www.medc.com

DESIGNERS & MANUFACTURERS  
OF ELECTRICAL & ELECTRONIC  
EQUIPMENT & SYSTEMS FOR  
HAZARDOUS AREAS

DRAWN BY: C. FOSTER	DATE: 9-3-93	TITLE PBE I,W
CHECKED BY: A.S.H.	DATE: 9-3-93	GENERAL ARRANGEMENT
APPROVED BY: SUM	DATE: 9-3-93	
SCALE: A4	SIZE A4	DRG No. PBE-I-W
		ISSUE B

THIS DRAWING IS CONFIDENTIAL AND IS THE PROPERTY OF MEDC AND MUST NOT BE REPRODUCED EITHER WHOLLY OR PARTLY. ALL RIGHTS IN RESPECT OF PATENTS, DESIGNS AND COPYRIGHT ARE RESERVED.

ALL DIMENSIONS ARE IN MILLIMETRES UNLESS OTHERWISE STATED  
REMOVE ALL BURRS AND SHARP EDGES  
MACHINE SYMBOLS THUS

B. 31-01-03 SH  
ISSUES