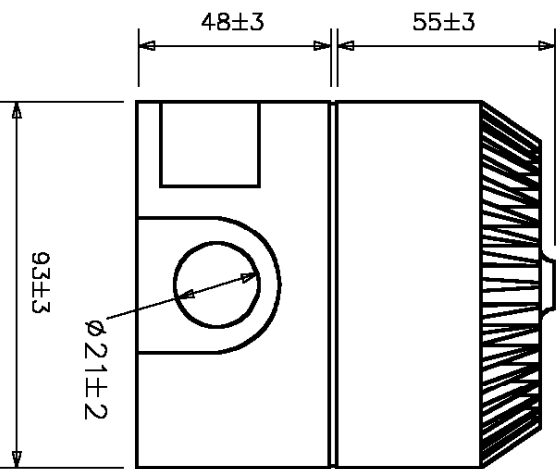

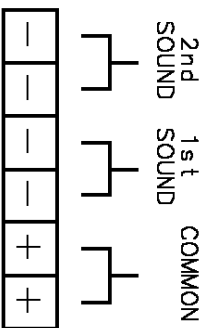


VIEW ON INSIDE OF BASE



- 1/ TYPE :- DB51M SOUNDER.
- 2/ CERTIFICATION No. BASEFA :-
MECS01ATEX4260  I M 1 EE x id I - UNIT
MECS No. 94Y7095 - SYSTEM
- 3/ WEIGHT :- 0.3kg.
- 4/ MATERIAL :- ABS POLYMER.
- 5/ IDENTITY/TAG LABEL LETTER SIZE 4.5mm MAX.
- 6/ TERMINALS SUITABLE FOR UPTO 2.5mm SQ CABLE.
- 7/ UPTO 2 OFF 20mm KNOCK-OUTS.
- 8/ SEALANT TO BE APPLIED TO ALL GLANDS & BLANKING PLUGS.
- 9/ GENERAL TOLERANCE ±3mm.

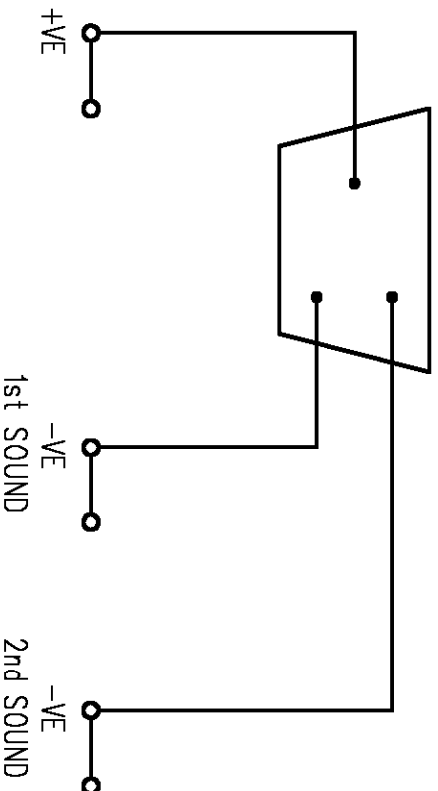


MEDEG
 MEDC, Colliery Road, Puxton
 Nottingham NG16 6JF, UK
 Tel: +44 (0)1773 812249
 Fax: +44 (0)1773 580282

DESIGNERS & MANUFACTURERS
 OF ELECTRICAL & ELECTRONIC
 EQUIPMENT & SYSTEMS FOR
 HAZARDOUS AREAS

ISSUES	ALL DIMENSIONS ARE IN MILLIMETRES UNLESS OTHERWISE STATED.		THIS DRAWING IS CONFIDENTIAL AND IS THE PROPERTY OF MEDC AND MUST NOT BE REPRODUCED EITHER WHOLLY OR PARTLY. ALL RIGHTS IN RESPECT OF PATENTS, DESIGNS AND COPYRIGHT ARE RESERVED.	
	REMOVE ALL DIMS AND SHARP EDGES	MACHINE SYMBOLS	µm	
	DRAWN BY: S. HUNT	DATE: 16-11-01	TITLE: DB51M SOUNDER CUSTOMER G.A. ATEX VERSION	DRG No: 187-218
	CHECKED BY: D. HAGIN	DATE: 28-11-01		ISSUE: A
	APPROVED BY: M. SELDEN	DATE: 28-11-01		
	SCALE: NTS	SIZE: A3		

DO NOT SCALE



**CURRENT
PRODUCTION COPY**

CELL NO. J



MEDCO, Colliery Road, Pinxton,
Nottingham NG16 6JF, U.K.
Tel: +44 (0)1773 812249
*fax: +44 (0)1773 580282

DESIGNERS & MANUFACTURERS
OF ELECTRICAL & ELECTRONIC
EQUIPMENT & SYSTEMS FOR
HAZARDOUS AREAS

ISSUES

ALL DIMENSIONS ARE
IN MILLIMETRES UNLESS
OTHERWISE STATED
REMOVE ALL BURRS
AND SHARP EDGES

THIS DRAWING IS CONFIDENTIAL
AND IS THE PROPERTY OF MEDCO
AND MUST NOT BE REPRODUCED
EITHER WHOLLY OR PARTLY.
ALL RIGHTS IN RESPECT OF
PATENTS, DESIGNS AND
COPYRIGHT ARE RESERVED.

DRAWN BY: S. HUNT	DATE: 07-06-99
CHECKED BY: D. HAGIN	DATE: 13-03-01
APPROVED BY: M. SELDEN	DATE: 16-03-01
SCALE:	SIZE A4

TITLE DB5 - CUSTOMER WIRING DIAGRAM	DRG No. 187-160	ISSUE A
---	---------------------------	-------------------

