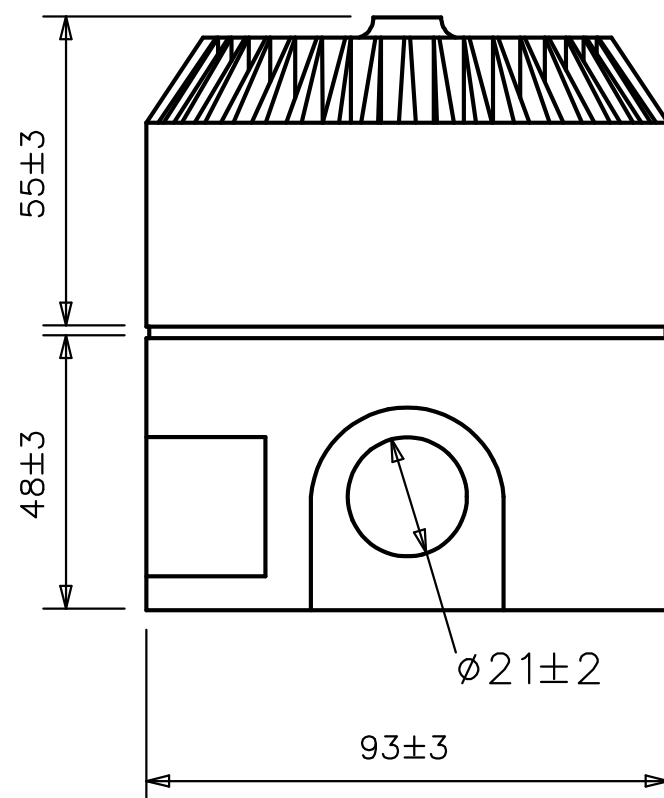
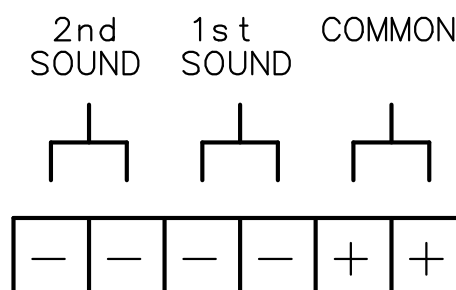


VIEW ON INSIDE OF BASE



- 1/ TYPE :- DB5 & DB51 SOUNDER
- 2/ CERTIFICATION No BASEEFA :-
BAS00ATEX1259 Ex II 1 G EE x ia IIC T4 - UNIT
 Ex 01E2024 EE x ia IIC T4 - SYSTEM
AMBIENT TEMP -20°C TO +55°C
- 3/ WEIGHT :- 0.3 kg
- 4/ MATERIAL :- ABS POLYMER
- 5/ IDENTITY/TAG LABEL LETTER SIZE 4.5mm MAX.
- 6/ TERMINALS SUITABLE FOR UPTO 2.5mm SQ CABLE
- 7/ UP TO 2 OFF 20mm KNOCK-OUTS
- 8/ SEALANT TO BE APPLIED TO ALL GLANDS & BLANKING PLUGS
- 9/ GENERAL TOLERANCE ± 3 mm



WARNING
THIS DRAWING RELATES TO A CERTIFIED PRODUCT.
NO MODIFICATIONS PERMITTED WITHOUT THE AUTHORISATION OF THE TECHNICAL MANAGER

CURRENT PRODUCTION COPY



MEDC, Colliery Road, Pinxton, Nottingham NG16 6JF, U.K.
Tel: +44 (0)1773 812249
Fax: +44 (0)1773 580282

DESIGNERS & MANUFACTURERS OF ELECTRICAL & ELECTRONIC EQUIPMENT & SYSTEMS FOR HAZARDOUS AREAS

ISSUES	B.13.09.04 GR	ALL DIMENSIONS ARE IN MILLIMETRES UNLESS OTHERWISE STATED	THIS DRAWING IS CONFIDENTIAL AND IS THE PROPERTY OF MEDC AND MUST NOT BE REPRODUCED EITHER WHOLLY OR PARTLY. ALL RIGHTS IN RESPECT OF PATENTS, DESIGNS AND COPYRIGHT ARE RESERVED.	DRAWN BY: D.HAGIN	DATE: 19-04-01	TITLE DB5 & DB51 SOUNDER CUSTOMER G.A. ATEX VERSION
		REMOVE ALL BURRS AND SHARP EDGES		CHECKED BY: M.SELDEN	DATE: 19-04-01	
		MACHINE SYMBOLS THIS μm		APPROVED BY: D.HAGIN	DATE: 19-04-01	

SCALE: NTS	SIZE: A3	DRG No. 187-211	ISSUE B
------------	----------	-----------------	---------