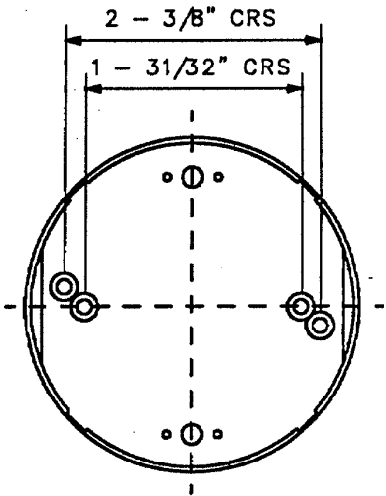
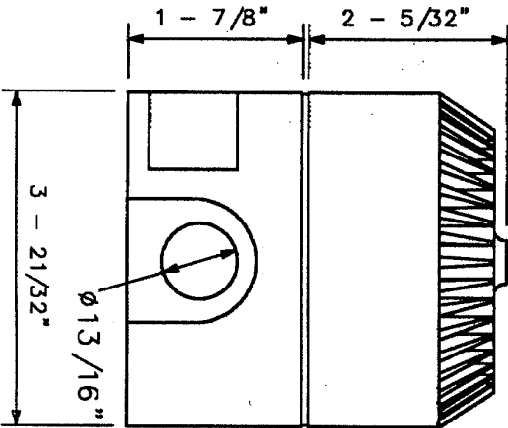


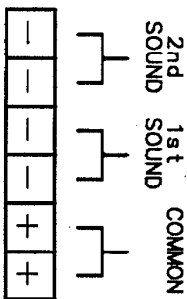
DO NOT SCALE



VIEW ON INSIDE OF BASE



- 1/ TYPE:- DB5 & DB51 SOUNDER
- 2/ FM APPROVAL FOR CLASS 1, DIV.1, GROUPS A, B, C, D
J.1. 3008604
AMBIENT TEMP -4°F TO +131°F
- 3/ WEIGHT:- 3/4 LB APPROX
- 4/ MATERIAL:- ABS POLYMER
- 5/ IDENTITY/TAG LABEL LETTER SIZE 3/16" MAX.
- 6/ TERMINALS SUITABLE FOR CABLE UPTO 14 AWG
- 7/ UP TO 2 OFF 13/16" KNOCK-OUTS
- 8/ SEALANT TO BE APPLIED TO ALL GLANDS & BLANKING PLUGS
- 9/ GENERAL TOLERANCE ±3/32"



ISSUES

--	--	--	--

ALL DIMENSIONS ARE IN MILLIMETRES UNLESS OTHERWISE STATED

PERSONAL BLENDED AND SHIP ROOM

MACHINE SYMBOLS THIS

THIS DRAWING IS CONFIDENTIAL AND IS THE PROPERTY OF MEDC AND MUST NOT BE REPRODUCED EITHER WHOLLY OR PARTLY. ALL RIGHTS IN RESPECT OF PATENTS, DESIGNS AND COPYRIGHT ARE RESERVED.

DRAWN BY: D. HAGIN	DATE: 19-04-01
CHECKED BY: M. SELDEN	DATE: 19-04-01
APPROVED BY: D. HAGIN	DATE: 19-04-01
SCALE: NTS	SIZE: A3



MEDC, Colliery Road, Preston, Hedderley North, U.K.
Tel: +44 (0)1773 812249
Fax: +44 (0)1773 580282

DESIGNERS & MANUFACTURERS OF ELECTRICAL & ELECTRONIC EQUIPMENT & SYSTEMS FOR HAZARDOUS AREAS

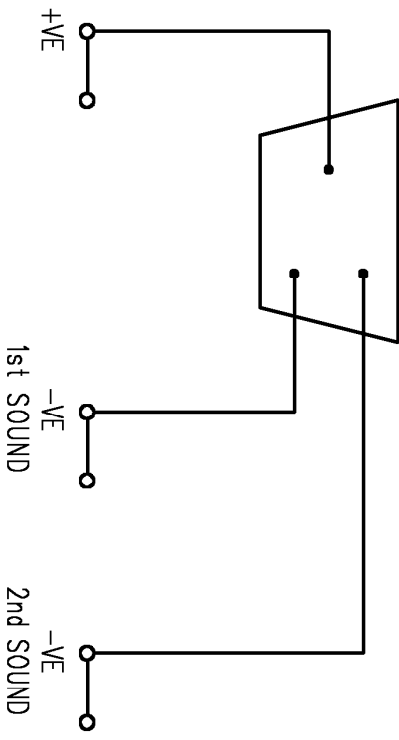
WARNING
THIS DRAWING RELATES TO A CERTIFIED PRODUCT. NO MODIFICATIONS PERMITTED WITHOUT THE AUTHORISATION OF THE TECHNICAL MANAGER

CURRENT
PRODUCTION COPY

TITLE
DB5 & DB51 SOUNDER CUSTOMER G.A. FM VERSION

DRG No. **187-212** ISSUE **A**

DO NOT SCALE



**CURRENT
PRODUCTION COPY**

CELL NO. J

MEDCG
 MEDC, Colliery Road, Pinxton,
 Nottingham NG16 6JF, U.K.
 Tel: +44 (0)1773 812249
 Fax: +44 (0)1773 580282

DESIGNERS & MANUFACTURERS
 OF ELECTRICAL & ELECTRONIC
 EQUIPMENT & SYSTEMS FOR
 HAZARDOUS AREAS

ISSUES	ALL DIMENSIONS ARE IN MILLIMETRES UNLESS OTHERWISE STATED	THIS DRAWING IS CONFIDENTIAL AND IS THE PROPERTY OF MEDC AND MUST NOT BE REPRODUCED EITHER WHOLLY OR PARTLY. ALL RIGHTS IN RESPECT OF PATENTS, DESIGNS AND COPYRIGHT ARE RESERVED.	DRAWN BY: S. HUNT	DATE: 07-06-99	TITLE DB5 - CUSTOMER WIRING DIAGRAM	DRG No. 187-160	ISSUE A
	REMOVE ALL BURRS AND SHARP EDGES		CHECKED BY: D.HAGIN	DATE: 13-03-01			
MACHINE SYMBOLS THUS			APPROVED BY: M.SILDEN	DATE: 16-03-01			
			SCALE:	SIZE A4			