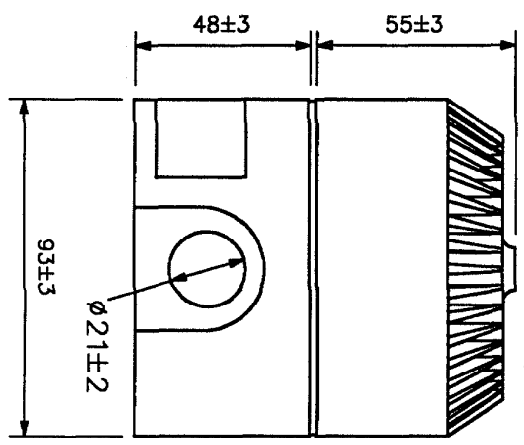
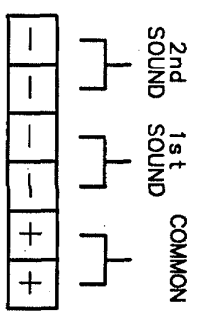


VIEW ON INSIDE OF BASE



- 1/ TYPE:- DB5 & DB51 SOUNDER
- 2/ CERTIFICATION No BASEEFA:- BASOATEX1259 1 G EE x 1 G T4 - UNIT
Ex 01E2024 EE x 1 G T4 - SYSTEM
AMBIENT TEMP -20°C TO +55°C
- 3/ WEIGHT:- 0.3 kg
- 4/ MATERIAL:- ABS POLYMER
- 5/ IDENTITY/TAG LABEL LETTER SIZE 4.5mm MAX.
- 6/ TERMINALS SUITABLE FOR UPTO 2.5mm SQ CABLE
- 7/ UP TO 2 OFF 20mm KNOCK-OUTS
- 8/ SEALANT TO BE APPLIED TO ALL GLANDS & BLANKING PLUGS
- 9/ GENERAL TOLERANCE ±3mm



**CURRENT
PRODUCTION COPY**

WARNING
THIS DRAWING RELATES TO A CERTIFIED PRODUCT.
NO MODIFICATIONS PERMITTED WITHOUT THE AUTHORISATION OF THE TECHNICAL MANAGER

ISSUES	ALL DIMENSIONS ARE IN MILLIMETRES UNLESS OTHERWISE STATED	THIS DRAWING IS CONFIDENTIAL AND MUST NOT BE REPRODUCED EITHER WHOLLY OR PARTLY. ALL RIGHTS IN RESPECT OF PATENTS, DESIGNS AND COPYRIGHT ARE RESERVED.
	REMOVE ALL BLANKS AND SHARP EDGES	
	MACHINE SYMBOLS THIRD	

SCALE:	NTS	SIZE:	A3
--------	-----	-------	----

DRAWN BY:	D. HAGIN	DATE:	19-04-01
CHECKED BY:	M. SELDEN	DATE:	19-04-01
APPROVED BY:	D. HAGIN	DATE:	19-04-01

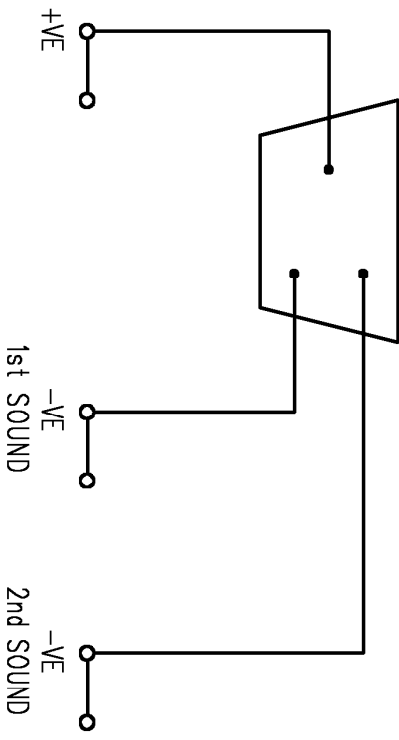


MEDC, Colindale Road, Preston, Nottingham NG16 6UF, U.K.
Tel: +44 (0)1773 812249
Fax: +44 (0)1773 560282

DESIGNERS & MANUFACTURERS OF ELECTRICAL & ELECTRONIC EQUIPMENT & SYSTEMS FOR HAZARDOUS AREAS

TITLE	DB5 & DB51 SOUNDER CUSTOMER G.A. ATEX VERSION
DRG No.	187-211
ISSUE	A

DO NOT SCALE



**CURRENT
PRODUCTION COPY**

CELL NO. J

MEDCG
 MEDC, Colliery Road, Pinxton,
 Nottingham NG16 6JF, U.K.
 Tel: +44 (0)1773 812249
 Fax: +44 (0)1773 580282

DESIGNERS & MANUFACTURERS
 OF ELECTRICAL & ELECTRONIC
 EQUIPMENT & SYSTEMS FOR
 HAZARDOUS AREAS

ISSUES	ALL DIMENSIONS ARE IN MILLIMETRES UNLESS OTHERWISE STATED	THIS DRAWING IS CONFIDENTIAL AND IS THE PROPERTY OF MEDC AND MUST NOT BE REPRODUCED EITHER WHOLLY OR PARTLY. ALL RIGHTS IN RESPECT OF PATENTS, DESIGNS AND COPYRIGHT ARE RESERVED.	
	REMOVE ALL BURRS AND SHARP EDGES	DRAWN BY: S. HUNT DATE: 07-06-99 CHECKED BY: D. HAGIN DATE: 13-03-01 APPROVED BY: M. SELDEN DATE: 16-03-01	TITLE DB5 - CUSTOMER WIRING DIAGRAM
MACHINE SYMBOLS THUS	SCALE:	SIZE A4	DRG No. 187-160 ISSUE A