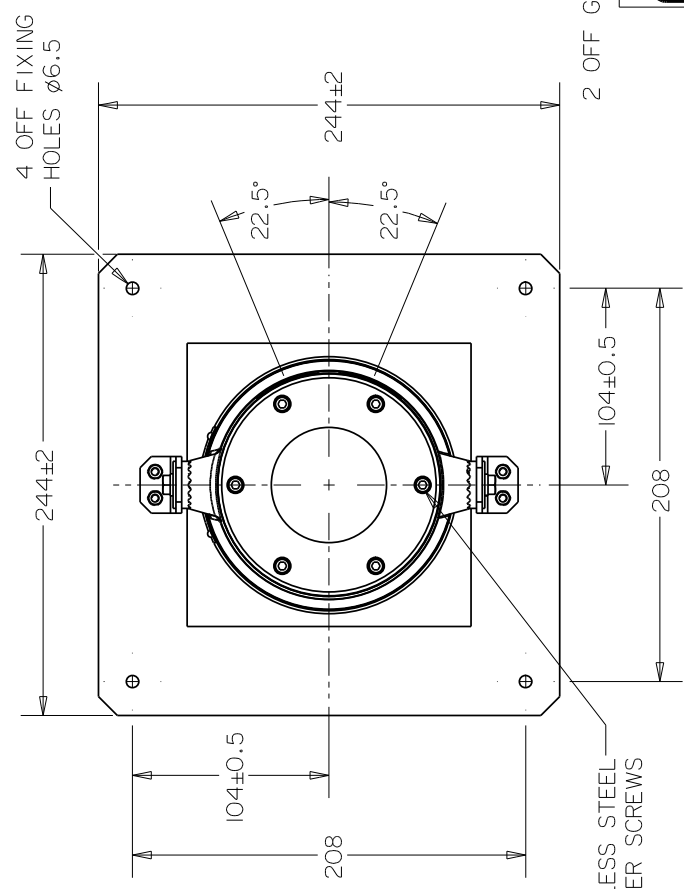
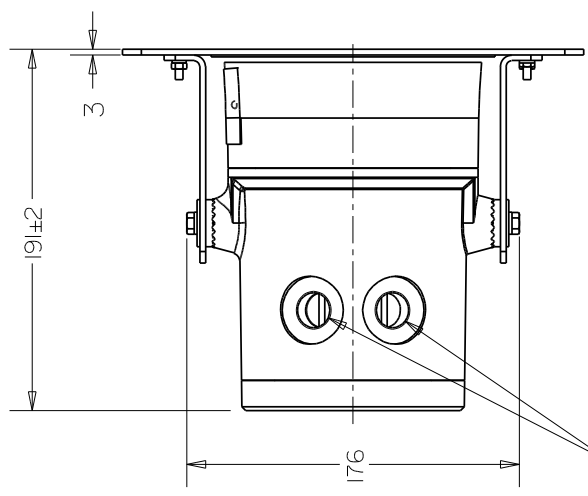




DO NOT SCALE

1. TYPE: DB4 CEILING MOUNT
2. CERTIFICATION No: BAS00ATEX2097X EExd IIC T5 (15W & BELOW), T4 (ABOVE 15w)
3. WEIGHT:- 6.5 Kg APPROX.
4. MATERIAL:- GLASS REINFORCED POLYESTER
5. IDENTITY / TAG LABEL LETTER SIZE 5mm MAX
6. TERMINAL SUITABLE FOR UP TO 2.5mm²

7. UP TO 2 OFF M20 ENTRIES AVAILABLE
8. GENERAL TOLERANCE ±1



6 OFF STAINLESS STEEL CAPTIVE COVER SCREWS

2 OFF GLAND ENTRIES MAX

MEDC
 MEDC Ltd, Colliery Road, Pinxton
 Nottingham NG16 6JF, U.K.
 Tel: +44 (0)1773 864100
 Fax: +44 (0)1773 582800
 e-mail: info@medc.com web: www.medc.com

MEDC
 DESIGNERS & MANUFACTURERS
 OF ELECTRICAL & ELECTRONIC
 EQUIPMENT & SYSTEMS FOR
 HAZARDOUS AREAS

ISSUES	B. 05/03/02 PF		THIS DRAWING IS CONFIDENTIAL AND IS THE PROPERTY OF MEDC AND MUST NOT BE REPRODUCED EITHER WHOLLY OR PARTLY. ALL RIGHTS IN RESPECT OF PATENTS, DESIGNS AND COPYRIGHT ARE RESERVED		DRAWN BY: M. SELDEN CHECKED BY: G.H. APPROVED BY: M. SELDEN SCALE: N.T.S		DATE: 21/03/00 DATE: 21/03/00 DATE: 21/03/00 SIZE: A4		TITLE DB4 CEILING MOUNT CUSTOMER G.A.		ISSUE B
	ALL DIMENSIONS ARE IN MILLIMETRES UNLESS OTHERWISE STATED		REMOVE ALL BURRS AND SHARP CORNERS		MACHINE SYMBOLS THIS		N. T. S		DRG No. 199-360		