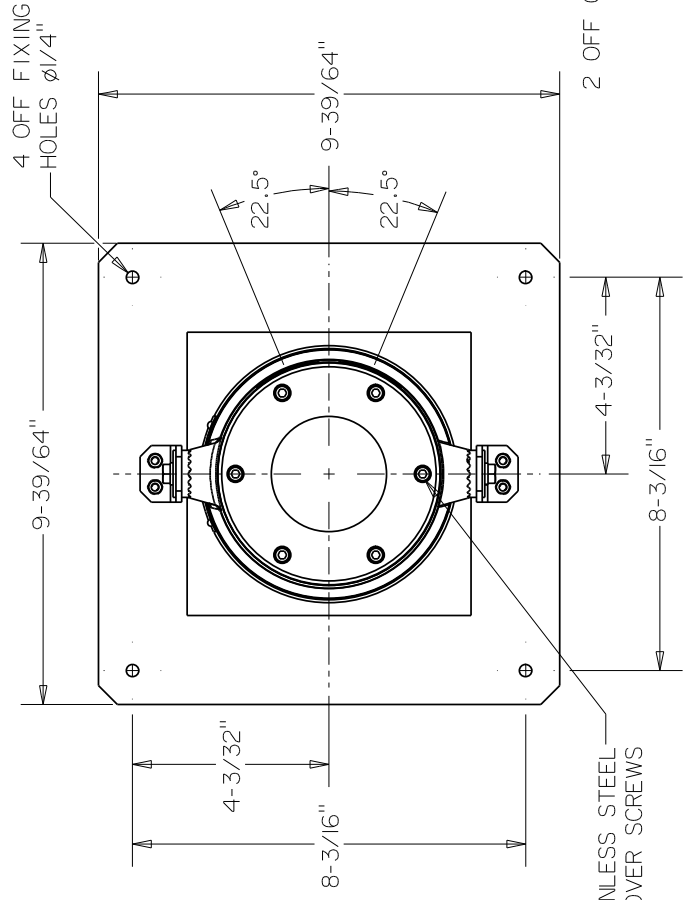
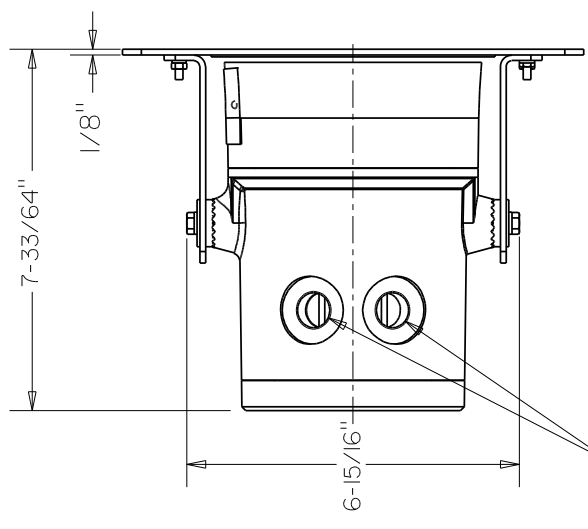




DO NOT SCALE

1. TYPE: DB4 CEILING MOUNT
2. UL LISTING NO. E203310, CLASS I, DIV. 2 GROUPS A, B, C, D  
AMBIENT TEMP. -67°F TO +131°F
3. WEIGHT:- 14 LBS APPROX.
4. MATERIAL:- GLASS REINFORCED POLYESTER
5. IDENTITY / TAG LABEL LETTER SIZE 3/16" MAX
6. TERMINAL SUITABLE FOR UP TO 14 AWG

7. UP TO 2 OFF 1/2" NPT ENTRIES AVAILABLE
8. UL LISTED SEALANT TO BE APPLIED TO ALL GLANDS  
& BLANKING PLUGS
9. GENERAL TOLERANCE ±3/32"



6 OFF STAINLESS STEEL CAPTIVE COVER SCREWS

2 OFF GLAND ENTRIES MAX

**MEDC**  
 MEDC Ltd, Colliery Road, Pinxton  
 Nottingham NG16 6JF, U.K.  
 Tel: +44 (0)1773 864100  
 Fax: +44 (0)1773 582800  
 e-mail: info@medc.com web: www.medc.com

ISSUES	THIS DRAWING IS CONFIDENTIAL AND IS THE PROPERTY OF MEDC AND MUST NOT BE REPRODUCED EITHER WHOLLY OR PARTLY. ALL RIGHTS IN RESPECT OF PATENTS, DESIGNS AND COPYRIGHT ARE RESERVED		DRAWN BY: P.FISHWICK CHECKED BY: M.SLACK APPROVED BY: P.FISHWICK SCALE: N.T.S	DATE: 04/03/03 DATE: 04/03/02 DATE: 04/03/02 SIZE: A4	TITLE: DB4 CEILING MOUNT CUSTOMER G.A.	DRG No. 199-458 ISSUE A
	ALL DIMENSIONS ARE IN MILLIMETRES UNLESS OTHERWISE STATED REMOVE ALL BURRS AND SHARP CORNERS MACHINE SYMBOLS THIS					