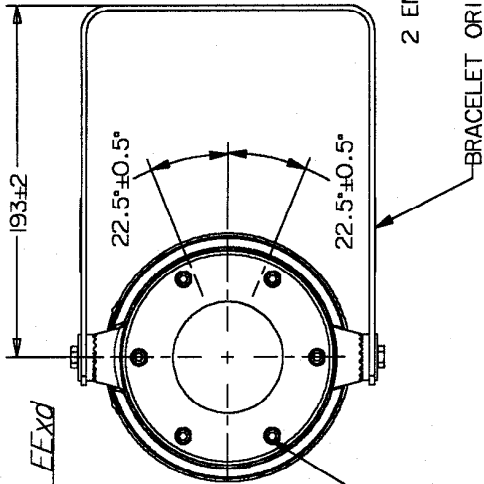


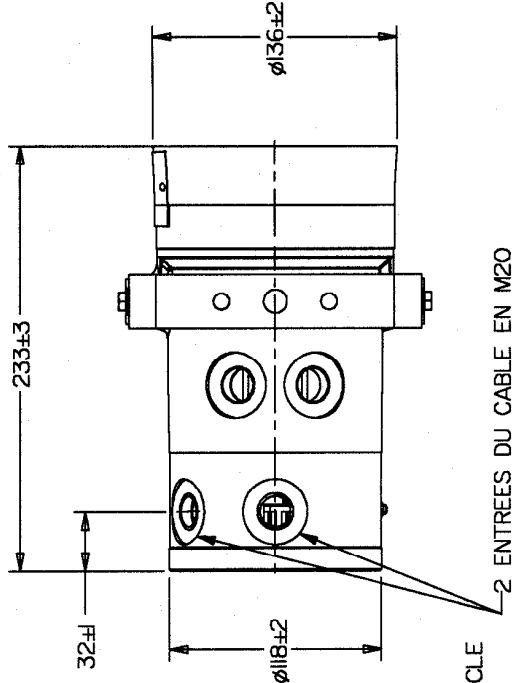
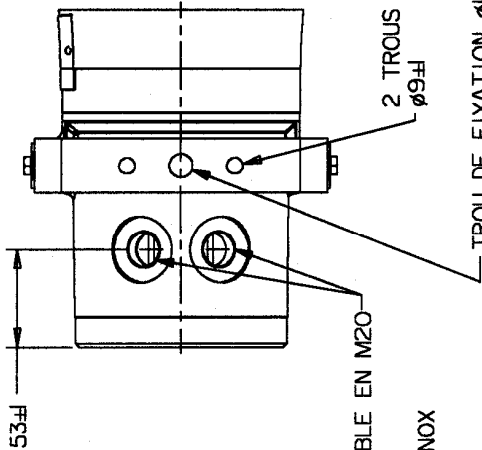
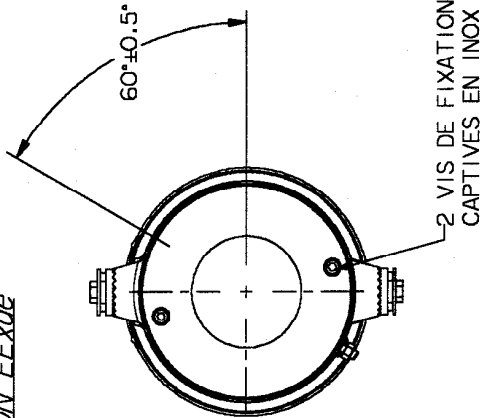
199-440

VERSION EEXd

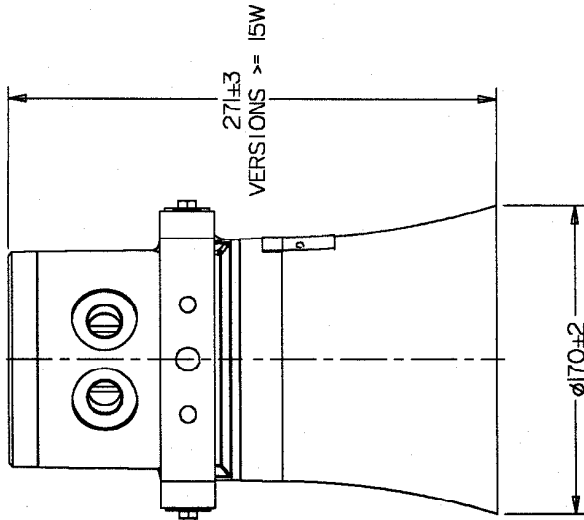


6 VIS DE FIXATION DE COUVERCLE CAPTIVES EN INOX

VERSION EEXd



1. MODELE DB4 B DB4L
2. CERTIFICATION NO. BAS COATEX2097X EEXd IIC
BAS COATEX2098X EEXd IIC
T5 (INFERIEUR OU EGAL A ISW)
T4 (SUPERIEUR A ISW)
3. POIDS - VERSION EEXd = 5.0 ± 0.3 kg
VERSION EEXd = 5.5 ± 0.3 kg
4. MATIERE - CORPS ET CORNET EN GRP (POLYESTER RENFORCE DE FIBRE DE VERRE).
5. MARQUAGE DE FONCTION OPTIONNEL
HAUTEUR DES LETTRES = 5mm MAX.
6. MARQUAGE PERSONNALISE OPTIONNEL
HAUTEUR DES LETTRES = 5mm MAX.
7. BORNES DE CONNEXION POUR CABLE DE 2.5 mm ² MAX.



NEW USA, COLLINGWOOD, FLORIDA
MEDC
DESIGNERS & MANUFACTURERS
OF ELECTRICAL & ELECTRONIC
EQUIPMENT & SYSTEMS FOR
INDUSTRIAL USES
e-mail: info@medc.com web: www.medc.com

DATE:	03/04/02	TITLE:	CUSTOMER GA	SHEET	1
CHECKED BY:	B. TAYLOR	DATE:	03/04/02	OF	1
APPROVED BY:	M. SELDEN	DATE:	03/04/02		
SCALE:	NTS	SIZE:	A2	DWG No.	199-440
				ISSUE	A

ALL DIMENSIONS ARE IN MILLIMETRES UNLESS OTHERWISE STATED
REMOVE ALL BURRS AND SHARP CORNERS
MACHINE SYMBOLS THIS

THIS DRAWING IS CONFIDENTIAL AND IS THE PROPERTY OF MEDC AND MUST NOT BE REPRODUCED EITHER WHOLLY OR PARTLY. ALL RIGHTS IN RESPECT OF PATENTS, DESIGNS AND COPYRIGHT ARE RESERVED.

ISSUES